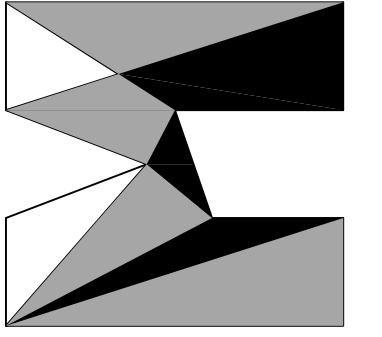
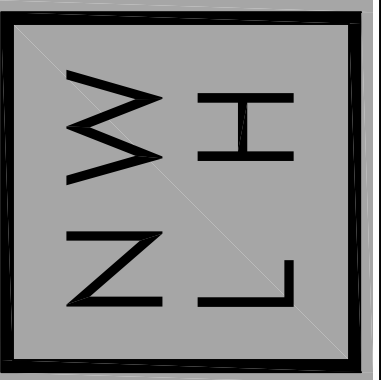



**OVERALL PROPOSED SITE PLAN**  
 N/A  
 6024 SE 22nd ST  
 MERCER ISLAND, WA 98040  
 NORTH



**matthew mawer**  
 residential design  
matt@mawer.net  
425.417.7817

nw  
**lifestyle**  
 homes  
www.nwlifestylehomes.com



**HOUTCHENS RESIDENCE**  
 6024 SE 22nd ST  
 MERCER ISLAND, WA 98040

JOB NO: 20-020  
 DATE: 9/01/22  
 DRWN. BY: MM, MG  
 REVISED: 8/29/23

SHEET NO.

**SP**

**LEGAL DESCRIPTION**

THE EAST HALF OF TRACT 18 AND ALL OF TRACT 19, FABEN'S POINT WATERFRONT TRACTS, ACCORDING TO THE PLAT THEREOF RECORDED IN VOLUME 33 OF PLATS, PAGES 17 AND 18, IN KING COUNTY, WASHINGTON;

TOGETHER WITH THAT PORTION OF VACATED ELIZABETH WAY WHICH LIES BETWEEN THE CENTERLINE OF TRACT 18 PRODUCED SOUTHERLY AND THE EAST LINE OF TRACT 19 PRODUCED SOUTHERLY, AND THE WESTERLY HALF OF VACATED MERCER STREET EXTENDING NORTHWARD FROM THE SOUTH LINE OF TRACT 20 TO THE OUTER BOUNDARY OF THE ADJOINING SHORELANDS OF LAKE WASHINGTON, AND LAKE WASHINGTON SHORELANDS ADJOINING.

TOGETHER WITH THAT PORTION OF TRACT 20 IN SAID PLAT OF FABEN'S POINT WATERFRONT TRACTS LYING EAST OF THE FOLLOWING DESCRIBED LINE BEGINNING AT A POINT ON THE SOUTH LINE OF SAID TRACT 20 WHICH BEARS NORTH 89°55'45" WEST 92.06 FEET FROM THE SOUTHEAST CORNER THEREOF; THENCE NORTH 0°01'54" EAST PARALLEL TO THE EAST LINE OF SAID TRACT 20, A DISTANCE OF 268.52 FEET; THENCE SOUTH 89°55'45" EAST 2.06 FEET; THENCE NORTH 0°01'54" EAST 44.50 FEET TO AN INTERSECTION WITH THE NORTHERLY LINE OF SAID TRACT 20;

EXCEPT THAT PORTION OF TRACT 20 AND THE WESTERLY HALF OF VACATED MERCER STREET (62ND AVENUE SOUTHEAST) CONVEYED TO JOHN W. HARVEY, III, BY DEED RECORDED UNDER KING COUNTY RECORDING NUMBER 6492897; ALSO EXCEPT THE SOUTH 100.00 FEET OF THE WEST 13.06 FEET OF THE EAST 92.06 FEET OF SAID TRACT 20, (PURSUANT TO CITY OF MERCER ISLAND BOUNDARY LINE REVISION NO. MI-83-04-112, RECORDED UNDER RECORDING NUMBER 8306299004.)

SITUATE IN THE COUNTY OF KING, STATE OF WASHINGTON.

**BASIS OF BEARINGS**

HELD N 89°55'45" W BETWEEN FOUND MONUMENTS ON THE CENTERLINE OF SE 22ND ST PER R1.

**REFERENCES**

R1. BOUNDARY LINE REVISION NO. MI-83-04-12, VOL. 36, PG. 159, RECORDS OF KING COUNTY, WASHINGTON.

**VERTICAL DATUM**

NAVD88 PER GPS OBSERVATIONS.

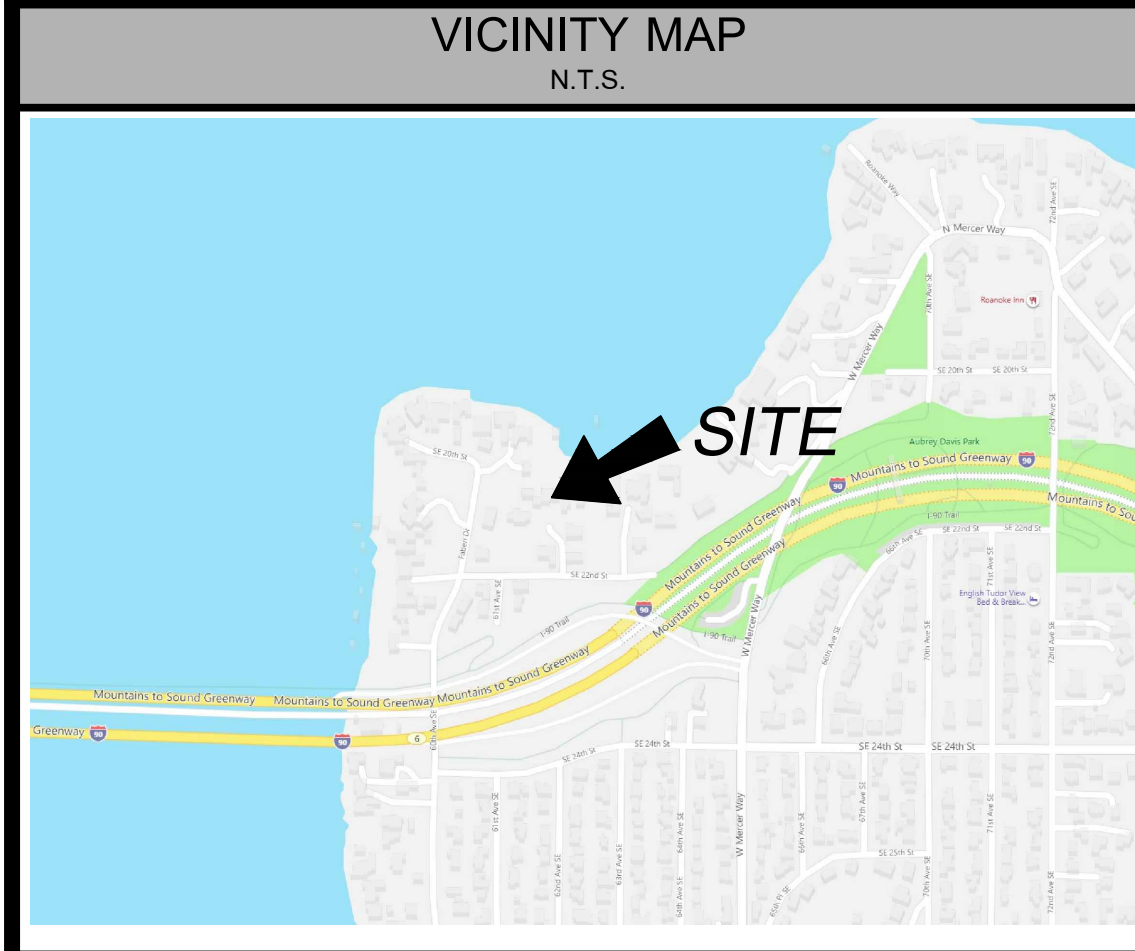
**SURVEYOR'S NOTES**

1. THE TOPOGRAPHIC SURVEY SHOWN HEREON WAS PERFORMED IN OCTOBER OF 2020. THE FIELD DATA WAS COLLECTED AND RECORDED ON MAGNETIC MEDIA THROUGH AN ELECTRONIC THEODOLITE. THE DATA FILE IS ARCHIVED ON DISC OR CD. WRITTEN FIELD NOTES MAY NOT EXIST. CONTOURS ARE SHOWN FOR CONVENIENCE ONLY. DESIGN SHOULD RELY ON SPOT ELEVATIONS.
2. ALL MONUMENTS SHOWN HEREON WERE LOCATED DURING THE COURSE OF THIS SURVEY UNLESS OTHERWISE NOTED.
3. THE TYPES AND LOCATIONS OF ANY UTILITIES SHOWN ON THIS DRAWING ARE BASED ON INFORMATION PROVIDED TO US, BY OTHERS OR GENERAL INFORMATION READILY AVAILABLE IN THE PUBLIC DOMAIN INCLUDING, AS APPLICABLE, IDENTIFYING MARKINGS PLACED BY UTILITY LOCATE SERVICES AND OBSERVED BY TERRANE IN THE FIELD. AS SUCH, THE UTILITY INFORMATION SHOWN ON THESE DRAWINGS ARE FOR INFORMATIONAL PURPOSES ONLY AND SHOULD NOT BE RELIED ON FOR DESIGN OR CONSTRUCTION PURPOSES; TERRANE IS NOT RESPONSIBLE OR LIABLE FOR THE ACCURACY OR COMPLETENESS OF THIS UTILITY INFORMATION. FOR THE ACCURATE LOCATION AND TYPE OF UTILITIES NECESSARY FOR DESIGN AND CONSTRUCTION, PLEASE CONTACT THE SITE OWNER AND THE LOCAL UTILITY LOCATE SERVICE (800-424-5555).
4. SUBJECT PROPERTY TAX PARCEL NO. 2439700110
5. SUBJECT PROPERTY AREA PER THIS SURVEY IS 55,969 S.F. (1.29 ACRES)
6. THE PROPERTY DESCRIBED HEREON IS THE SAME AS THE PROPERTY DESCRIBED IN CHICAGO NATIONAL TITLE COMPANY OF WASHINGTON, COMMITMENT NO. 0182986-ETU, WITH AN EFFECTIVE DATE OF JULY 1, 2020 AND THAT ALL EASEMENTS, COVENANTS AND RESTRICTIONS REFERENCED IN SAID TITLE COMMITMENT OR APPARENT FROM A PHYSICAL INSPECTION OF THE PROPERTY OR OTHERWISE KNOWN TO ME HAVE BEEN PLOTTED HEREON OR OTHERWISE NOTED AS TO THEIR EFFECT ON THE PROPERTY.
7. FIELD DATA FOR THIS SURVEY WAS OBTAINED BY DIRECT FIELD MEASUREMENTS WITH A CALIBRATED ELECTRONIC 5-SECOND TOTAL STATION AND/OR SURVEY GRADE GPS OBSERVATIONS. ALL ANGULAR AND LINEAR RELATIONSHIPS ARE ACCURATE AND MEET THE STANDARDS SET BY WAC 352-130-090.

**LEGEND**

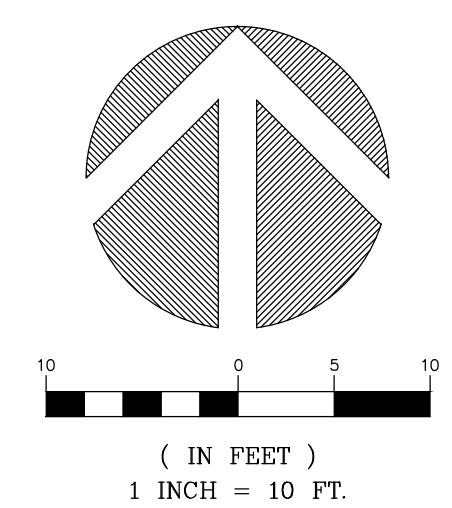
	AREA DRAIN		OIL FILL CAP
	ASPHALT SURFACE		POST
	BRICK SURFACE		POWER HAND HOLE
	BUILDING		POWER METER
	CENTERLINE ROW		POWER (OVERHEAD)
	CLEANOUT		POWER (UNDERGROUND)
	CULVERT PIPE		POWER POLE
	CONCRETE SURFACE		POWER POLE (FOUND)
	RETAINING WALL		REBAR & CAP (SET)
	DECK		ROCKERY
	FENCE LINE (CHAIN LINK)		SEWER LINE
	FENCE LINE (WOOD)		SEWER MANHOLE
	GAS LINE		STORM DRAIN LINE
	GAS METER		TREE (AS NOTED)
	HEDGE FOLIAGE LINE		WATER LINE
	INLET (TYPE 1)		WATER METER
	IRON PIPE (FOUND)		YARD LIGHT
	NAIL AS NOTED		SEWER EASEMENT, REC. NO. 4691133
	MAILBOX (RESIDENTIAL)		
	MONUMENT IN CASE (FOUND)		

**TOPOGRAPHIC & BOUNDARY SURVEY**

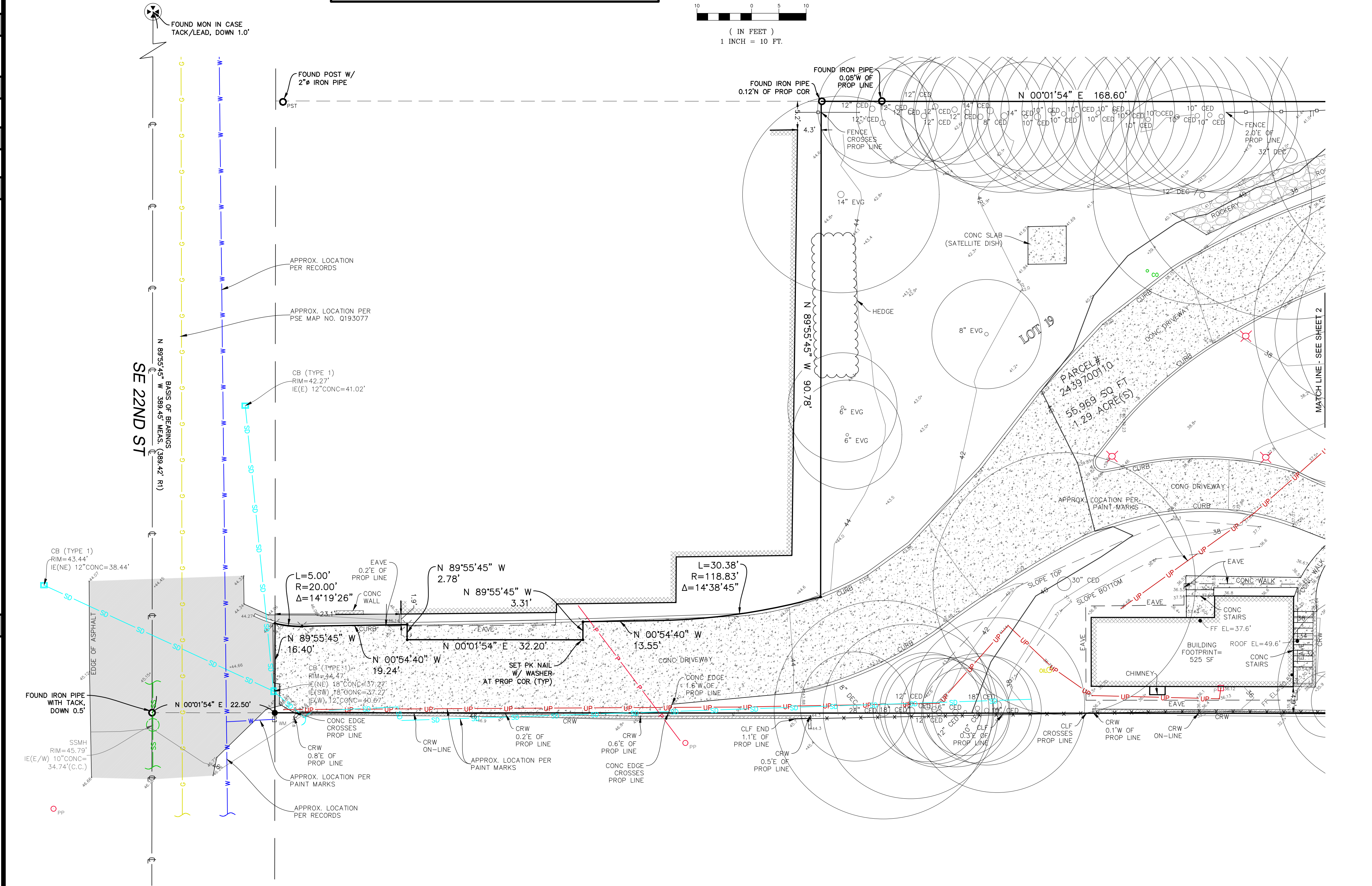


**SCHEDULE B ITEMS**

3. EASEMENT(S) FOR THE PURPOSE(S) SHOWN BELOW AND RIGHTS INCIDENTAL THERETO, AS GRANTED IN A DOCUMENT:  
 GRANTED TO: KING COUNTY  
 PURPOSE: PUBLIC UTILITIES  
 RECORDING DATE: DECEMBER 7, 1946  
 RECORDING NO.: 3635877  
 AFFECTS: PORTION OF SAID PREMISES LYING WITHIN VACATED ELIZABETH WAY (DOESN'T AFFECT SUBJECT PROPERTY)
4. EASEMENT(S) FOR THE PURPOSE(S) SHOWN BELOW AND RIGHTS INCIDENTAL THERETO, AS GRANTED IN A DOCUMENT:  
 GRANTED TO: MERCER ISLAND SEWER DISTRICT  
 PURPOSE: SEWER  
 RECORDING DATE: JANUARY 18, 1956  
 RECORDING NO.: 4655680  
 AFFECTS: PORTION OF SAID PREMISES (NOTHING TO PLOT)
5. EASEMENT(S) FOR THE PURPOSE(S) SHOWN BELOW AND RIGHTS INCIDENTAL THERETO, AS GRANTED IN A DOCUMENT:  
 GRANTED TO: MERCER ISLAND SEWER DISTRICT  
 PURPOSE: SEWER  
 RECORDING DATE: MAY 9, 1956  
 RECORDING NO.: 4691133  
 AFFECTS: PORTION OF SAID PREMISES (PLOTTED)



**STEEP SLOPE/BUFFER DISCLAIMER:**  
 THE LOCATION AND EXTENT OF STEEP SLOPES SHOWN ON THIS DRAWING ARE FOR INFORMATIONAL PURPOSES ONLY AND CANNOT BE RELIED ON FOR DESIGN AND/OR CONSTRUCTION. THE PITCH, LOCATION, AND EXTENT ARE BASED SOLELY ON OUR GENERAL OBSERVATIONS ON SITE AND OUR CURSORY REVIEW OF READILY AVAILABLE PUBLIC DOCUMENTS; AS SUCH, TERRANE CANNOT BE LIABLE OR RESPONSIBLE FOR THE ACCURACY OR COMPLETENESS OF ANY STEEP SLOPE INFORMATION. ULTIMATELY, THE LIMITS AND EXTENT OF ANY STEEP SLOPES ASSOCIATED WITH ANY SETBACKS OR OTHER DESIGN OR CONSTRUCTION PARAMETERS MUST BE DISCUSSED AND APPROVED BY THE REVIEWING AGENCY BEFORE ANY CONSTRUCTION CAN OCCUR.



**TOPOGRAPHIC & BOUNDARY SURVEY**  
 SE 1/4 OF SE 1/4 SEC 02, TWP. 24N., RGE 04E., W.M.  
 PARCEL NO. 2439700110  
**HOUTCHENS RESIDENCE**  
 6024 SE 22ND ST  
 MERCER ISLAND, WA 98040



**Terrane**  
 10801 Main Street, Suite 102, Bellevue, WA 98004  
 phone 425.458.4488 support@terrane.net  
 www.terrane.net

**JOB NUMBER:** 201729  
**DATE:** 10/09/20  
**DRAFTED BY:** JPH  
**CHECKED BY:** JPS  
**SCALE:** 1" = 10'

**REVISION HISTORY**

NO.	DATE	DESCRIPTION

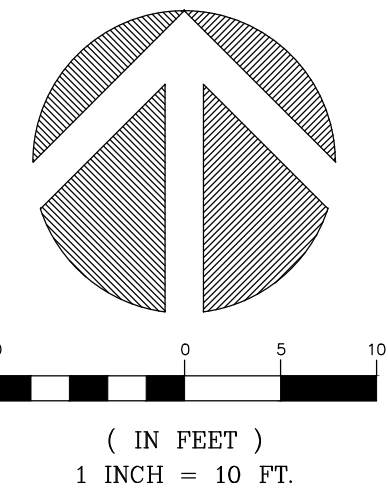
**SHEET NUMBER**  
 1 OF 3

measure success

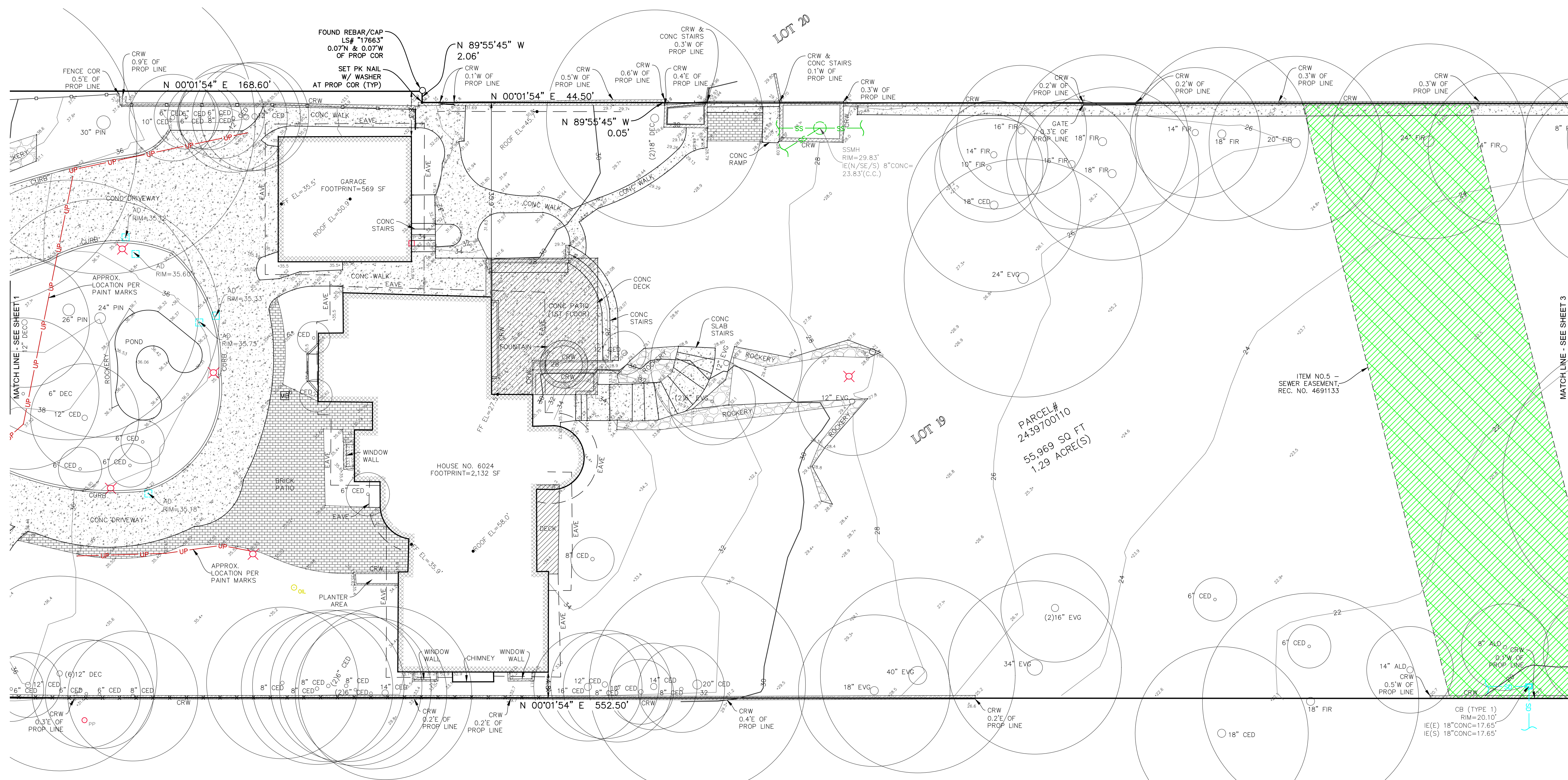
# TOPOGRAPHIC & BOUNDARY SURVEY

## LEGEND

	AREA DRAIN		OIL FILL CAP
	ASPHALT SURFACE		POST
	BRICK SURFACE		POWER HAND HOLE
	BUILDING		POWER METER
	CENTERLINE ROW		POWER (OVERHEAD)
	CLEANOUT		POWER (UNDERGROUND)
	CULVERT PIPE		POWER POLE
	CONCRETE SURFACE		REBAR AS NOTED (FOUND)
	RETAINING WALL		REBAR & CAP (SET)
	DECK		ROCKERY
	FENCE LINE (CHAIN LINK)		SEWER LINE
	FENCE LINE (WOOD)		SEWER MANHOLE
	GAS LINE		STORM DRAIN LINE
	GAS METER		TREE (AS NOTED)
	HEDGE FOLIAGE LINE		WATER LINE
	INLET (TYPE 1)		WATER METER
	IRON PIPE (FOUND)		YARD LIGHT
	NAIL AS NOTED		ITEM NO. 5 - SEWER EASEMENT, REC. NO. 4691133
	MAILBOX (RESIDENTIAL)		
	MONUMENT IN CASE (FOUND)		

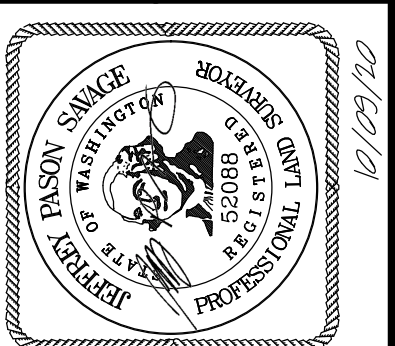


**STEEP SLOPE/BUFFER DISCLAIMER:**  
 THE LOCATION AND EXTENT OF STEEP SLOPES SHOWN ON THIS DRAWING ARE FOR INFORMATIONAL PURPOSES ONLY AND CANNOT BE RELIED ON FOR DESIGN AND/OR CONSTRUCTION. THE PITCH, LOCATION, AND EXTENT ARE BASED SOLELY ON OUR GENERAL OBSERVATIONS ON SITE AND OUR CURSORY REVIEW OF READILY AVAILABLE PUBLIC DOCUMENTS; AS SUCH, TERRANE CANNOT BE LIABLE OR RESPONSIBLE FOR THE ACCURACY OR COMPLETENESS OF ANY STEEP SLOPE INFORMATION. ULTIMATELY, THE LIMITS AND EXTENT OF ANY STEEP SLOPES ASSOCIATED WITH ANY SETBACKS OR OTHER DESIGN OR CONSTRUCTION PARAMETERS MUST BE DISCUSSED AND APPROVED BY THE REVIEWING AGENCY BEFORE ANY CONSTRUCTION CAN OCCUR.



TOPOGRAPHIC & BOUNDARY SURVEY  
 SE 1/4 OF SE 1/4 SEC 02, TWP. 24N., RGE 04E., W.M.  
 PARCEL NO. 2439700110

HOUTCHENS RESIDENCE  
 6024 SE 22ND ST  
 MERCER ISLAND, WA 98040



**Terrane**  
 10801 Main Street, Suite 102, Bellevue, WA 98004  
 phone 425.458.4488 support@terrane.net  
 www.terrane.net

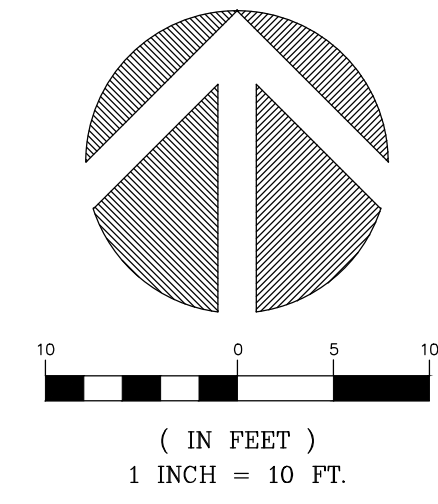
JOB NUMBER:	201729
DATE:	10/09/20
DRAFTED BY:	JPH
CHECKED BY:	JPS
SCALE:	1"= 10'
REVISION HISTORY	
SHEET NUMBER	
2 OF 3	

measure success

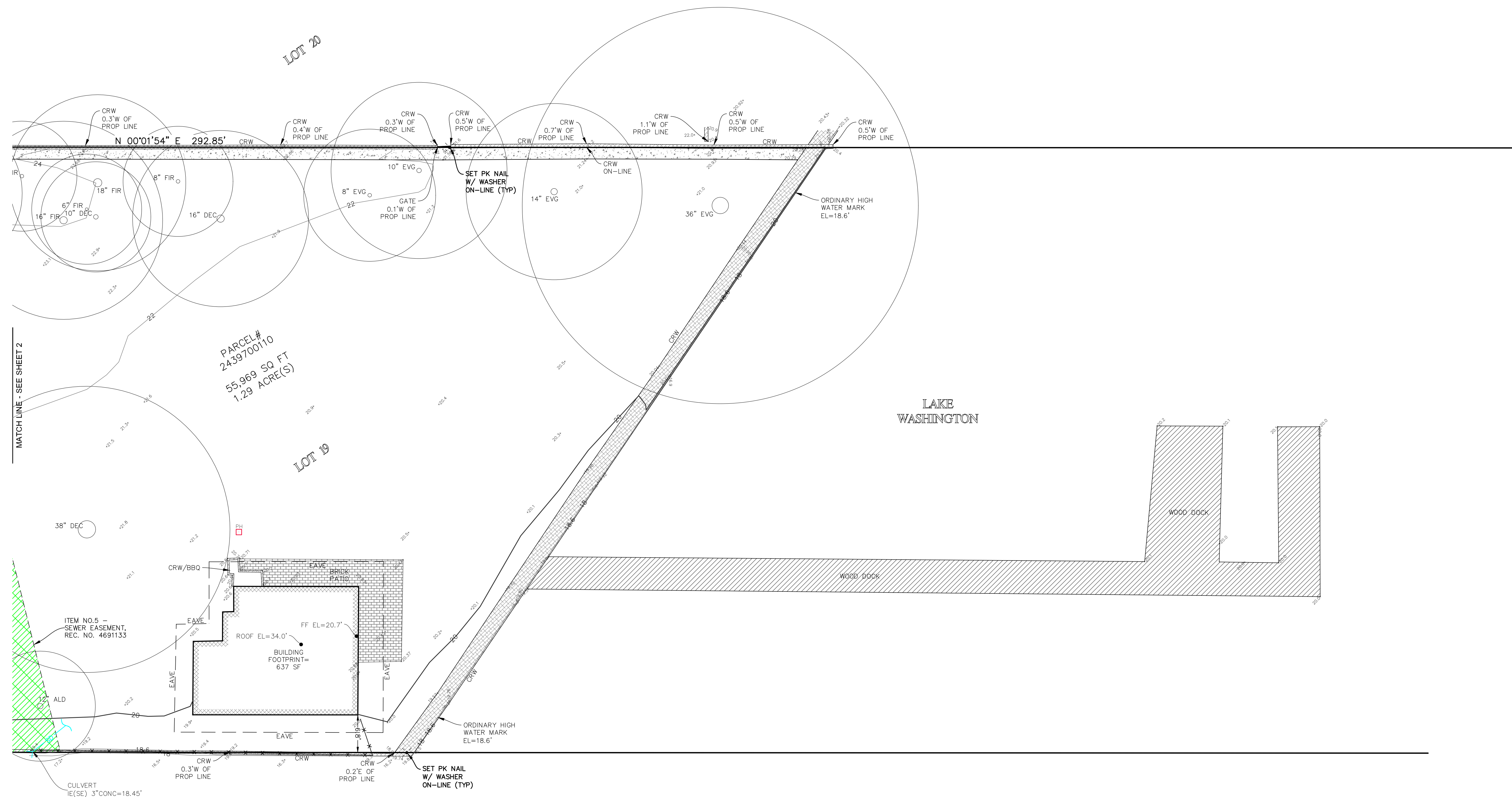
# TOPOGRAPHIC & BOUNDARY SURVEY

## LEGEND

	AREA DRAIN		OIL FILL CAP
	ASPHALT SURFACE		POST
	BRICK SURFACE		POWER HAND HOLE
	BUILDING		POWER METER
	CENTERLINE ROW		POWER (OVERHEAD)
	CLEANOUT		POWER (UNDERGROUND)
	CULVERT PIPE		POWER POLE
	CONCRETE SURFACE		REBAR AS NOTED (FOUND)
	RETAINING WALL		REBAR & CAP (SET)
	DECK		ROCKERY
	FENCE LINE (CHAIN LINK)		SEWER LINE
	FENCE LINE (WOOD)		SEWER MANHOLE
	GAS LINE		STORM DRAIN LINE
	GAS METER		TREE (AS NOTED)
	HEDGE FOLIAGE LINE		WATER LINE
	INLET (TYPE 1)		WATER METER
	IRON PIPE (FOUND)		YARD LIGHT
	NAIL AS NOTED		ITEM NO. 5 - SEWER EASEMENT, REC. NO. 4691133
	MAILBOX (RESIDENTIAL)		
	MONUMENT IN CASE (FOUND)		



**STEEP SLOPE/BUFFER DISCLAIMER:**  
 THE LOCATION AND EXTENT OF STEEP SLOPES SHOWN ON THIS DRAWING ARE FOR INFORMATIONAL PURPOSES ONLY AND CANNOT BE RELIED ON FOR DESIGN AND/OR CONSTRUCTION. THE PITCH, LOCATION, AND EXTENT ARE BASED SOLELY ON OUR GENERAL OBSERVATIONS ON SITE AND OUR CURSORY REVIEW OF READILY AVAILABLE PUBLIC DOCUMENTS; AS SUCH, TERRANE CANNOT BE LIABLE OR RESPONSIBLE FOR THE ACCURACY OR COMPLETENESS OF ANY STEEP SLOPE INFORMATION. ULTIMATELY, THE LIMITS AND EXTENT OF ANY STEEP SLOPES ASSOCIATED WITH ANY SETBACKS OR OTHER DESIGN OR CONSTRUCTION PARAMETERS MUST BE DISCUSSED AND APPROVED BY THE REVIEWING AGENCY BEFORE ANY CONSTRUCTION CAN OCCUR.



TOPOGRAPHIC & BOUNDARY SURVEY  
 SE 1/4 OF SE 1/4 SEC 02, TWP. 24N., RGE 04E., W.M.  
 PARCEL NO. 2439700110

HOUTCHENS RESIDENCE  
 6024 SE 22ND ST  
 MERCER ISLAND, WA 98040



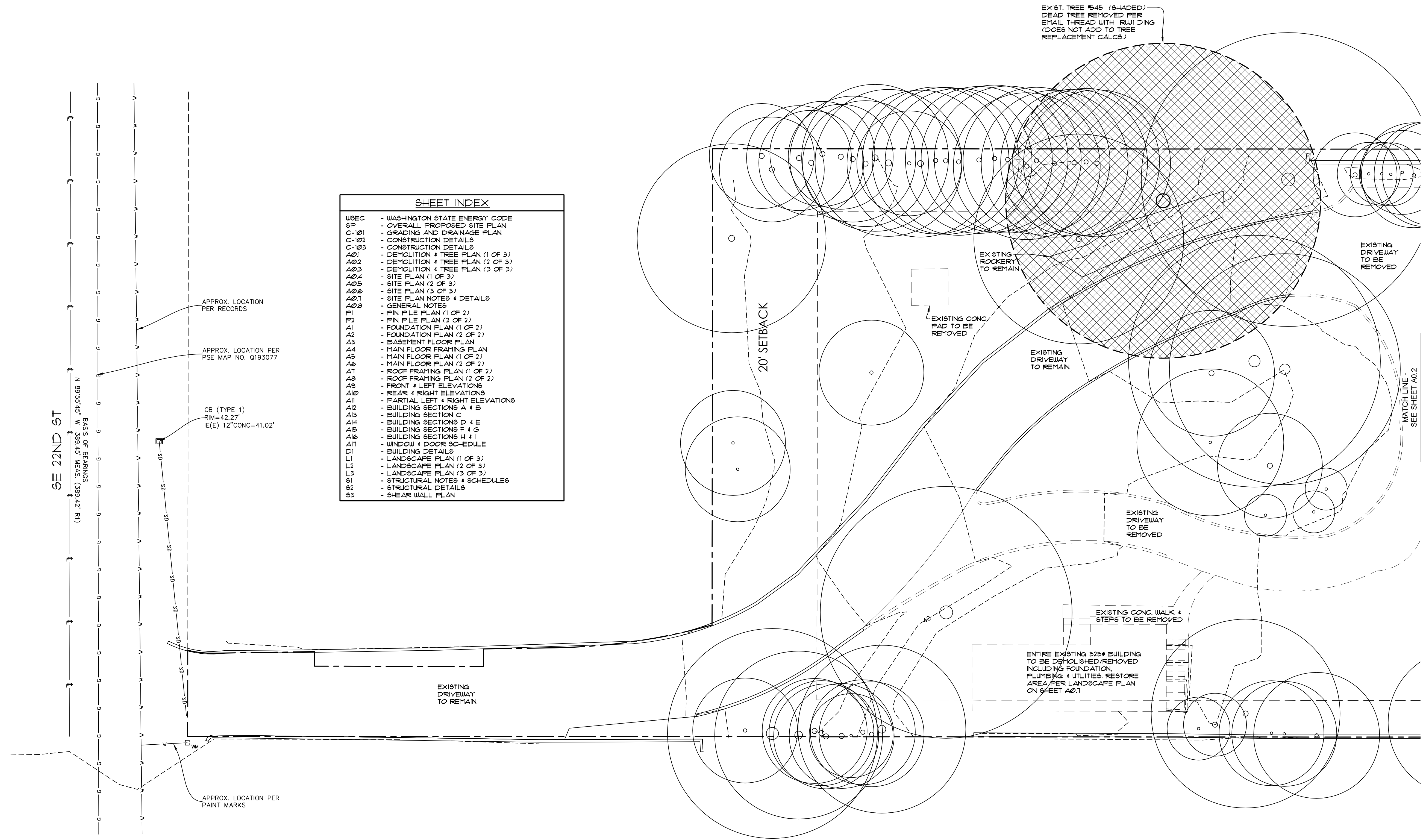
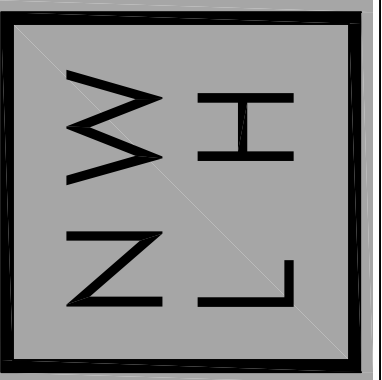
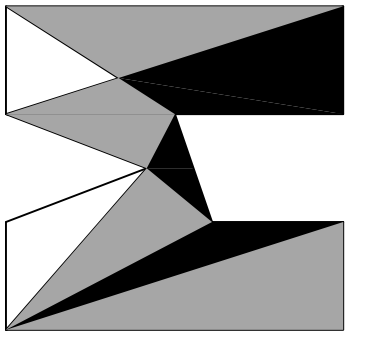
**Terrane**  
 10801 Main Street, Suite 102, Bellevue, WA 98004  
 phone 425.458.4488 support@terrane.net  
[www.terrane.net](http://www.terrane.net)

JOB NUMBER: 201729  
 DATE: 10/09/20  
 DRAFTED BY: JPH  
 CHECKED BY: JPS  
 SCALE: 1" = 10'

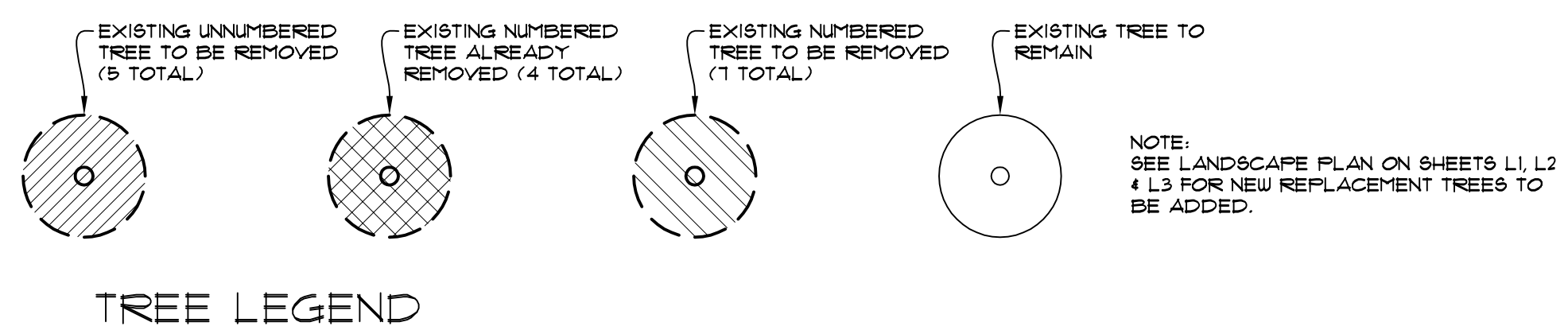
REVISION HISTORY

NO.	DATE	DESCRIPTION

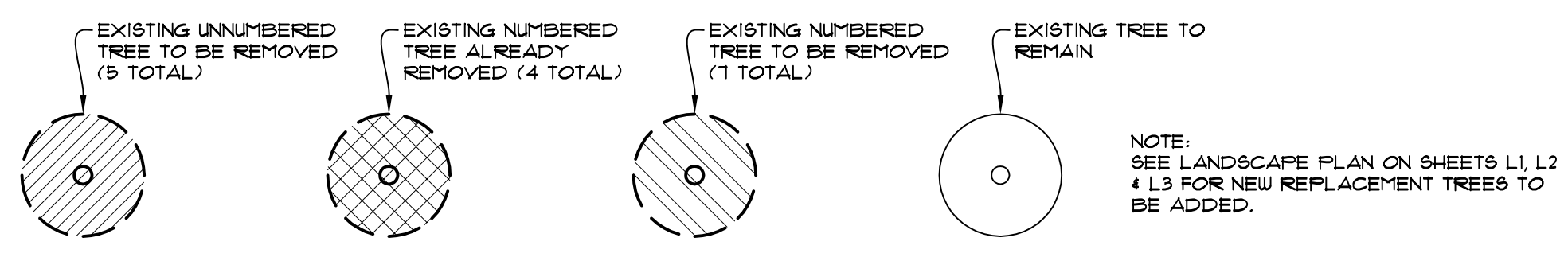
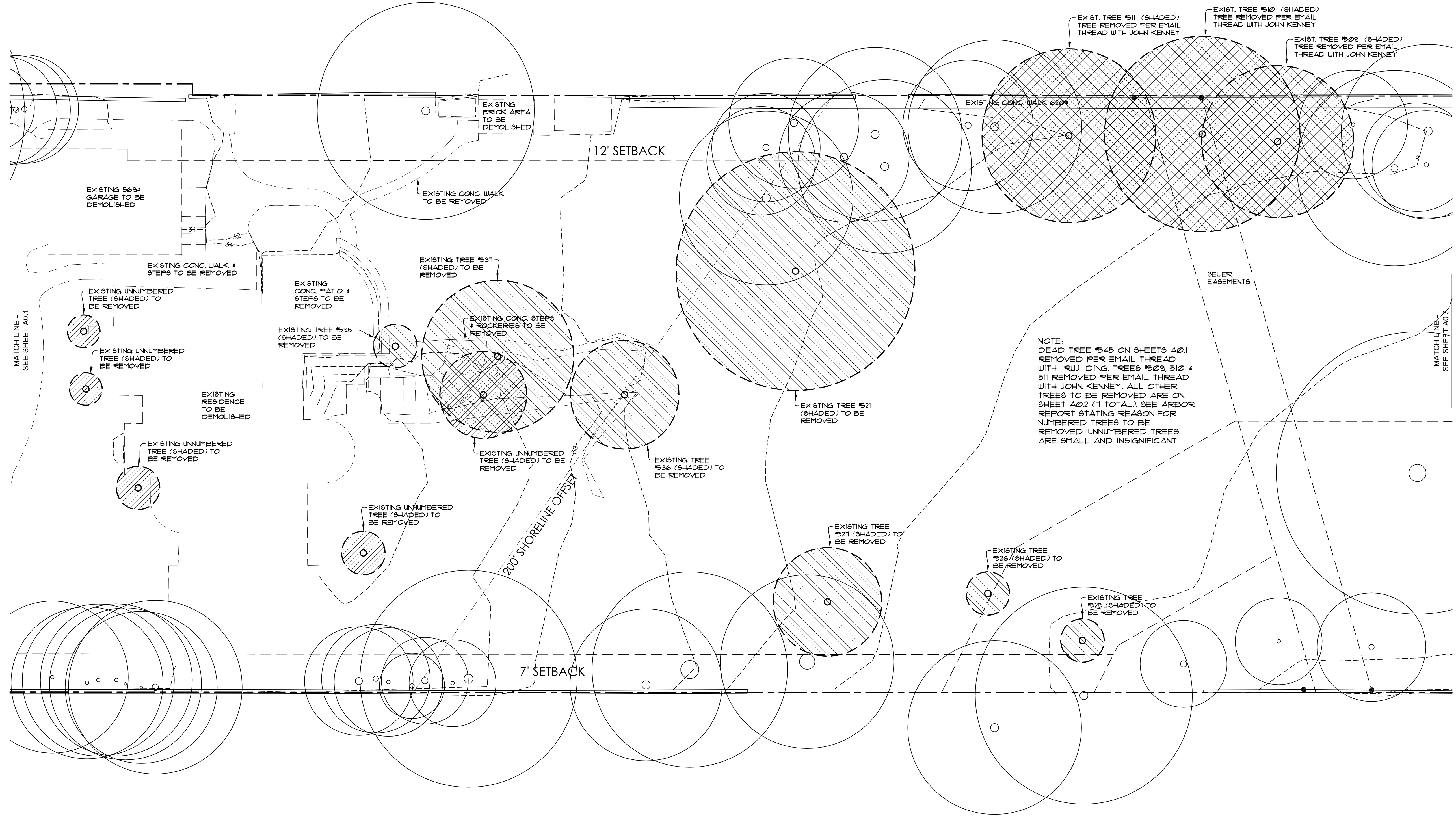
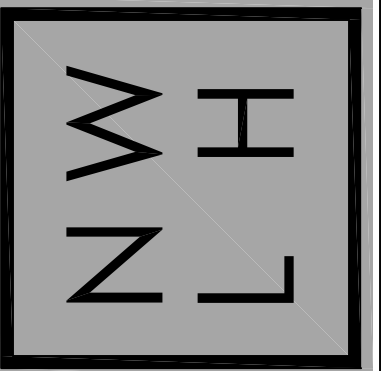
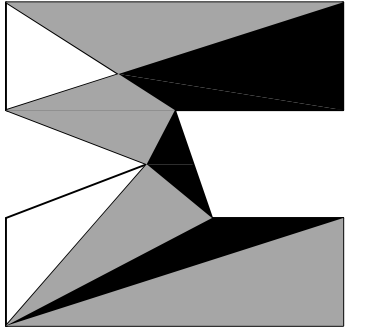
SHEET NUMBER



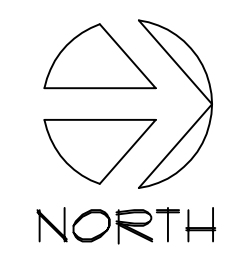
SHEET INDEX	
WSEC	- WASHINGTON STATE ENERGY CODE
SP	- OVERALL PROPOSED SITE PLAN
C-101	- GRADING AND DRAINAGE PLAN
C-102	- CONSTRUCTION DETAILS
C-103	- CONSTRUCTION DETAILS
A01	- DEMOLITION & TREE PLAN (1 OF 3)
A02	- DEMOLITION & TREE PLAN (2 OF 3)
A03	- DEMOLITION & TREE PLAN (3 OF 3)
A04	- SITE PLAN (1 OF 3)
A05	- SITE PLAN (2 OF 3)
A06	- SITE PLAN (3 OF 3)
A07	- SITE PLAN NOTES & DETAILS
A08	- GENERAL NOTES
F1	- PIN PILE PLAN (1 OF 2)
F2	- PIN PILE PLAN (2 OF 2)
A1	- FOUNDATION PLAN (1 OF 2)
A2	- FOUNDATION PLAN (2 OF 2)
A3	- BASEMENT FLOOR PLAN
A4	- MAIN FLOOR FRAMING PLAN
A5	- MAIN FLOOR PLAN (1 OF 2)
A6	- MAIN FLOOR PLAN (2 OF 2)
A7	- ROOF FRAMING PLAN (1 OF 2)
A8	- ROOF FRAMING PLAN (2 OF 2)
A9	- FRONT & LEFT ELEVATIONS
A10	- REAR & RIGHT ELEVATIONS
A11	- PARTIAL LEFT & RIGHT ELEVATIONS
A12	- BUILDING SECTIONS A & B
A13	- BUILDING SECTION C
A14	- BUILDING SECTIONS D & E
A15	- BUILDING SECTIONS F & G
A16	- BUILDING SECTIONS H & I
A17	- WINDOW & DOOR SCHEDULE
D1	- BUILDING DETAILS
L1	- LANDSCAPE PLAN (1 OF 3)
L2	- LANDSCAPE PLAN (2 OF 3)
L3	- LANDSCAPE PLAN (3 OF 3)
S1	- STRUCTURAL NOTES & SCHEDULES
S2	- STRUCTURAL DETAILS
S3	- SHEAR WALL PLAN



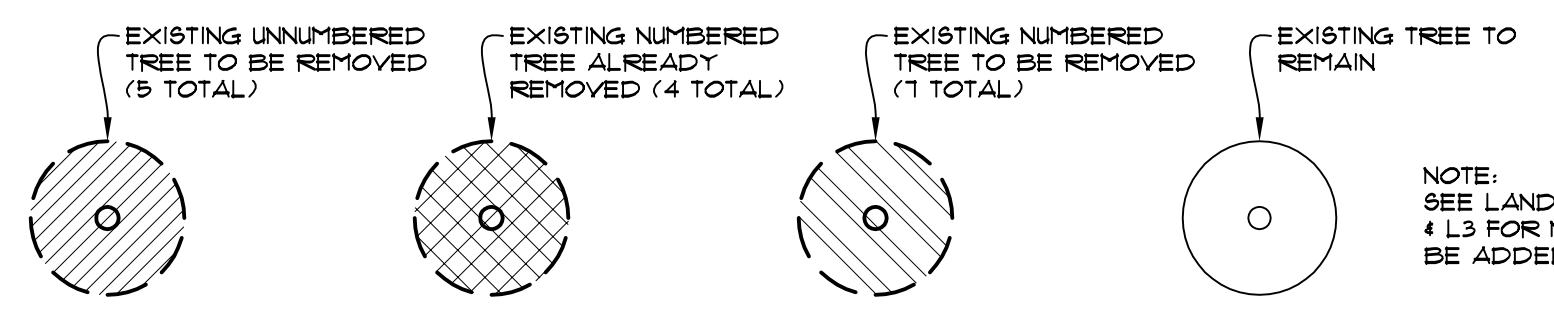
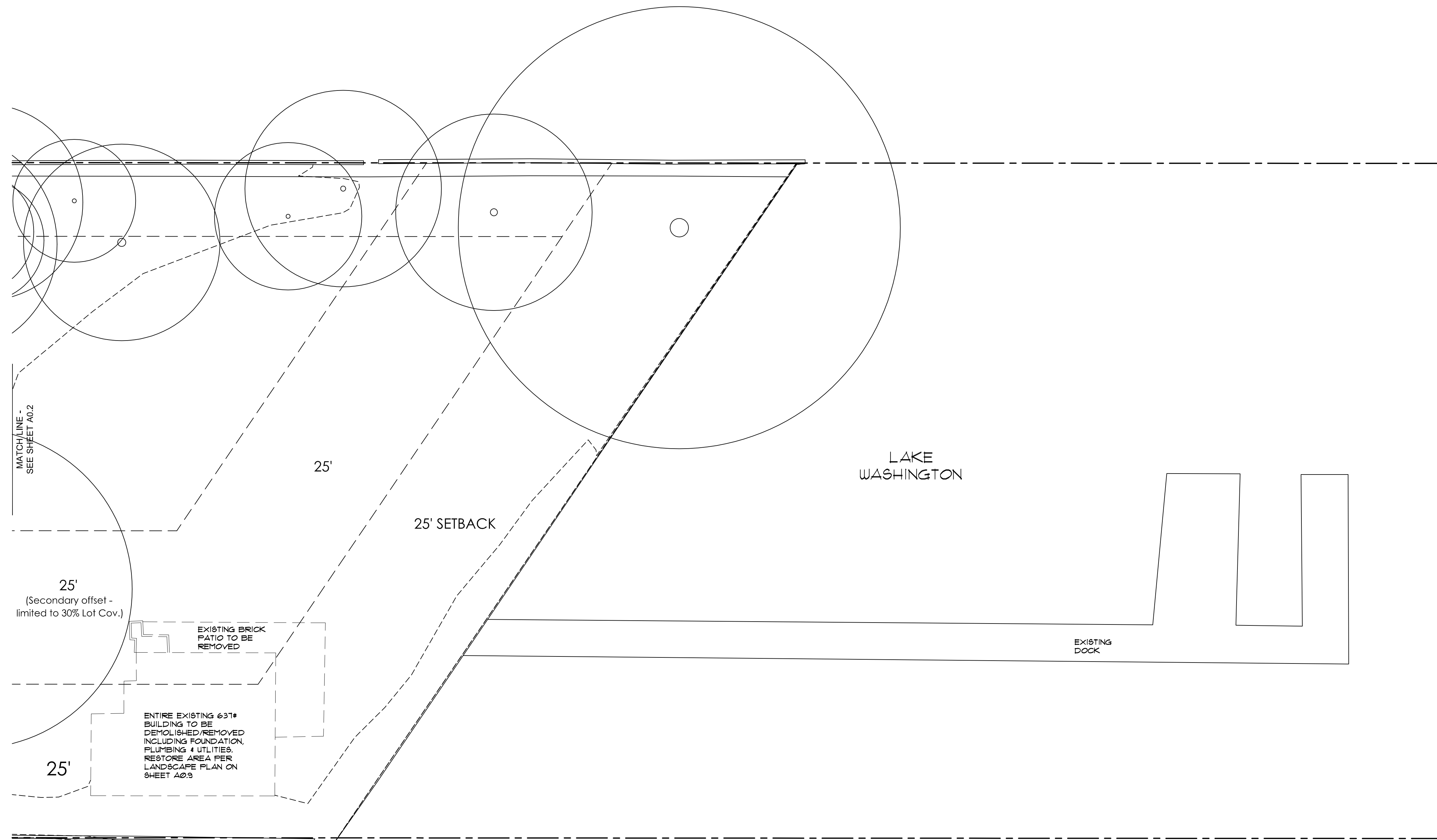
DEMOLITION & TREE PLAN (1 OF 3)  
SCALE: 1" = 10'  
6024 SE 22nd ST  
MERCER ISLAND, WA 98040



TREE LEGEND

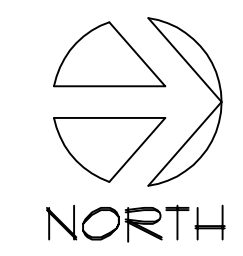


DEMOLITION & TREE PLAN (2 OF 3)  
SCALE: 1" = 10'  
6024 SE 22nd ST  
MERCER ISLAND, WA 98040

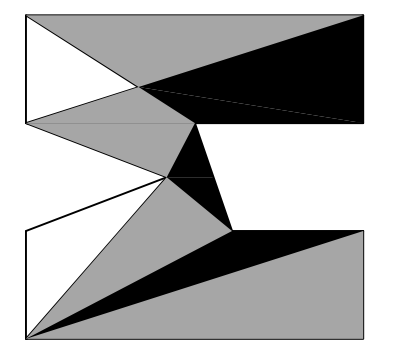


TREE LEGEND

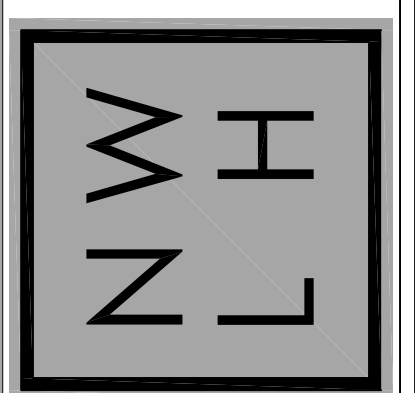
NOTE:  
SEE LANDSCAPE PLAN ON SHEETS L1, L2 & L3 FOR NEW REPLACEMENT TREES TO BE ADDED.



DEMOLITION & TREE PLAN (3 OF 3)  
SCALE: 1" = 10'  
6024 SE 22nd ST  
MERCER ISLAND, WA 98040



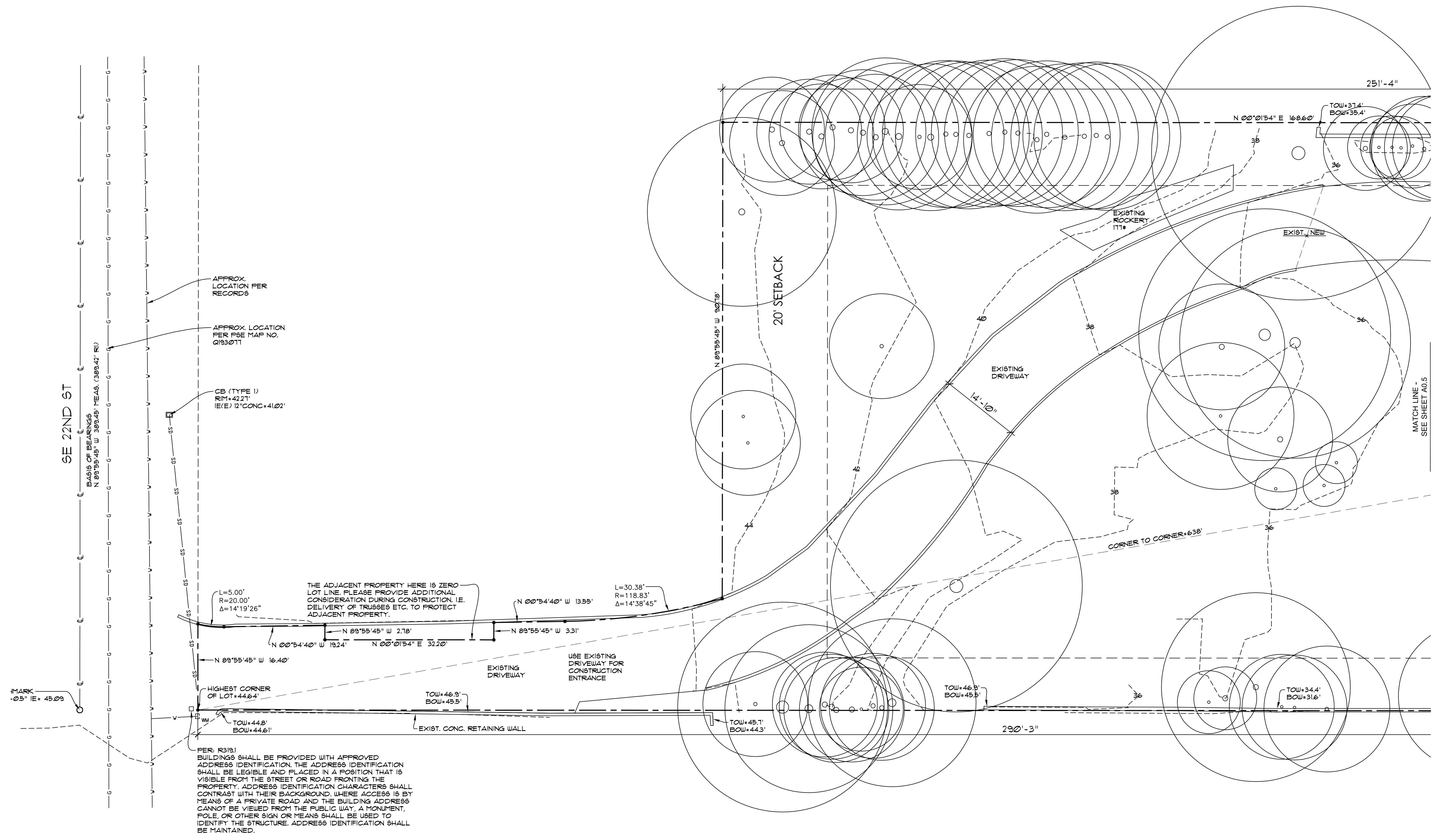
nw  
lifestyle  
homes  
www.nwlifestylehomes.com



HOUTCHENS RESIDENCE  
6024 SE 22nd ST  
MERCER ISLAND, WA 98040

JOB NO: 20-020  
DATE: 9/01/22  
DRN. BY: MM, MG  
REVISED: 2/14/23

SHEET NO.  
**A0.3**



APPROX. LOCATION PER RECORDS

APPROX. LOCATION PER PSE MAP NO. Q133011

CB (TYPE 1)  
 RIM+42.21'  
 IE(E) 12" CONC+41.02'

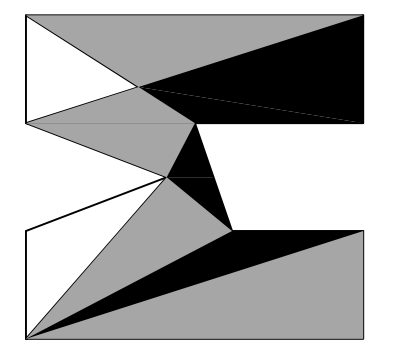
THE ADJACENT PROPERTY HERE IS ZERO LOT LINE. PLEASE PROVIDE ADDITIONAL CONSIDERATION DURING CONSTRUCTION, I.E. DELIVERY OF TRUSSES ETC. TO PROTECT ADJACENT PROPERTY.

HIGHEST CORNER OF LOT+44.64'  
 TOW+44.8'  
 BOU+44.61'

PER: R2101 BUILDINGS SHALL BE PROVIDED WITH APPROVED ADDRESS IDENTIFICATION. THE ADDRESS IDENTIFICATION SHALL BE LEGIBLE AND PLACED IN A POSITION THAT IS VISIBLE FROM THE STREET OR ROAD FRONTING THE PROPERTY. ADDRESS IDENTIFICATION CHARACTERS SHALL CONTRAST WITH THEIR BACKGROUND. WHERE ACCESS IS BY MEANS OF A PRIVATE ROAD AND THE BUILDING ADDRESS CANNOT BE VIEWED FROM THE PUBLIC WAY, A MONUMENT, POLE, OR OTHER SIGN OR MEANS SHALL BE USED TO IDENTIFY THE STRUCTURE. ADDRESS IDENTIFICATION SHALL BE MAINTAINED.



SITE PLAN (1 OF 3)  
 SCALE: 1" = 10'  
 6024 SE 22nd ST  
 MERCER ISLAND, WA 98040



nw lifestyle homes  
 www.nwlifestylehomes.com

N W L H

HOUTCHENS RESIDENCE  
 6024 SE 22nd ST  
 MERCER ISLAND, WA 98040

JOB NO: 20-020  
 DATE: 9/01/22  
 DRN. BY: MM, MG  
 REVISED: 6/21/23

SHEET NO.  
**A0.4**



EFFECTIVE FEBRUARY 1, 2021 WASHINGTON STATUTES MANDATE ALL JURISDICTIONS IN THE STATE TO ADOPT AND ENFORCE THE FOLLOWING UPDATED CONSTRUCTION CODE EDITIONS AS THEY WERE ADOPTED AND AMENDED BY THE STATE OF WASHINGTON:

- 2018 INTERNATIONAL BUILDING CODE (IBC)
- 2018 INTERNATIONAL RESIDENTIAL CODE (IRC)
- 2018 INTERNATIONAL MECHANICAL CODE (IMC)
- 2018 INTERNATIONAL FUEL GAS CODE (IFGC)
- 2018 UNIFORM PLUMBING CODE (UPC)
- 2018 INTERNATIONAL FIRE CODE (IFC)
- 2018 INTERNATIONAL EXISTING BUILDING CODE
- 2018 INTERNATIONAL SWIMMING POOL AND SPA CODE
- WASHINGTON STATE ENERGY CODE (WSEC)
- ICC/ANSI A117.1-09, ACCESSIBLE AND USABLE BUILDINGS AND FACILITIES, WITH STATEWIDE AND CITY AMENDMENTS

PER: 19.07.16(0)(F)(2) IF EXCAVATION/FOUNDATION OR OTHER SIMILAR WORK WILL OCCUR BETWEEN OCTOBER 1 AND APRIL 1 A WET SEASON DEVELOPMENT WAIVER IS TO BE APPLIED AND REVIEWED FOR WORK DURING THE WET SEASON. SEE THIS WEBSITE FOR REQUIREMENTS, SUBMISSION, AND PROCESS: <https://www.mercerisland.gov/cpd/page/wet-season-work-waiver-seasonal-development-limitation>

**FIRE SPRINKLER NOTE:**  
A NFPA 13R FIRE SPRINKLER SYSTEM AND A NFPA 72 "CHAPTER 29" MONITORED FIRE ALARM SYSTEM TO BE INSTALLED. (SEPARATE PERMIT REQUIRED)  
1-HOUR 5/8" TYPE 'X' GWS TO BE USED ON ALL WALLS & CEILINGS IN LIEU OF 1/2" GWS

PROVIDE STRAW OR PLASTIC COVER TO ANY EXPOSED SOILS THROUGHOUT THE CONSTRUCTION CYCLE.

24 HOUR EROSION CONTROL CONTACT INFO: MASON MAWER - 425-411-7819

LOT SLOPE:  
HIGHEST LOT ELEV: 444.6'  
LOWEST LOT ELEV: 209.2'  
244.4' 63.8% 3.5% LOT SLOPE

SIDE SETBACKS:  
LOT IS WIDER THAN 90'  
SIDE SETBACKS TO BE 1% OF SITE WIDTH  
SIDE SETBACKS TO BE 10' TOTAL

NOTE: TO REDUCE THE POTENTIAL OF SLAB SETTLEMENT AND DISTRESS, THE GEOTECHNICAL ENGINEER RECOMMENDS REMOVING A MINIMUM OF 1-FOOT OF EXISTING SOIL BELOW THE SLAB, AND PLACING 1-FOOT OF PROPERLY COMPACTED FREE-DRAINING GRANULAR STRUCTURAL FILL PER GEOTECHNICAL REPORT SECTION 6.4

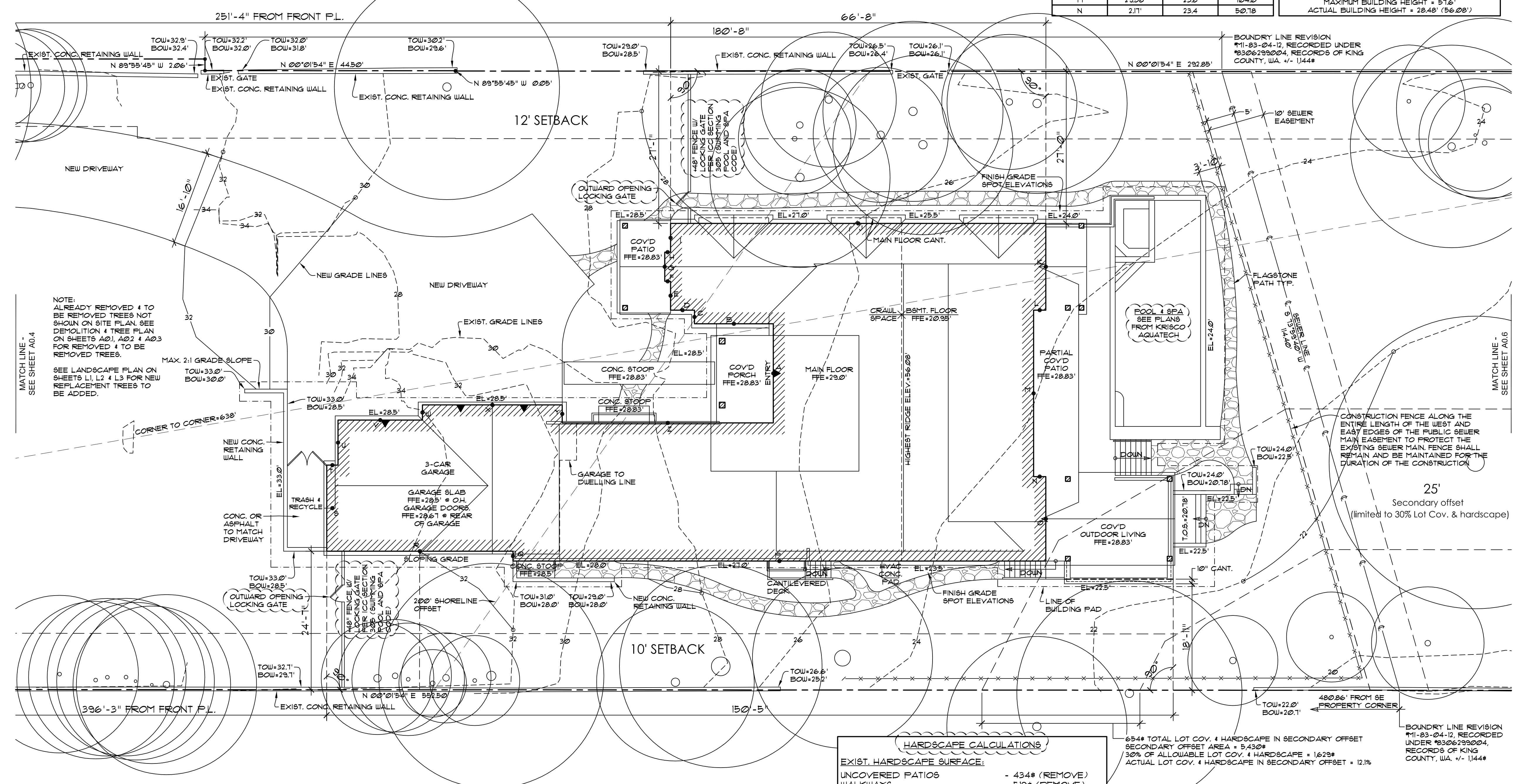
NOTE: GRADING TO BE APPROXIMATELY 150 YARDS OF SOIL. NO SOIL TO BE REMOVED FROM OR ADDED TO SITE.

**AVERAGE EXISTING GRADE CALCULATIONS**

WALL SEGMENT	WALL LENGTH	MIDPOINT ELEVATION	RESULT
A	17.63'	26.1	460.14
B	14.2'	26.6	372.4
C	2.42'	27.1	65.58
D	4.25'	27.3	116.23
E	5.13'	27.4	140.56
F	1.04'	27.5	28.5
G	5.11'	27.5	142.18
H	1.04'	27.5	28.6
I	5.13'	27.5	142.08
J	66.61'	25.8	1720.09
K	15.42'	24.2	373.16
L	2.17'	24.0	52.08
M	29.58'	23.8	704.2
N	2.17'	23.4	50.18

O	15.0'	23.2	348.0
P	94.61'	26.0	2461.42
Q	1.75'	29.5	51.63
R	33.08'	33.0	1091.64
S	15.29'	34.0	519.86
T	2.0'	34.0	68.0
U	8.0'	34.0	272.0
V	15.0'	34.0	510.0
W	2.11'	32.8	68.83
X	24.83'	32.0	794.51
Y	3.21'	30.4	97.58
Z	37.5'	27.4	1027.5
TOTALS	424.86'	N/A	11726.35

11726.35 / 424.86 = 27.6'  
AVERAGE EXISTING GRADE = 27.6'  
MAXIMUM BUILDING HEIGHT = 30' ABOVE A.E.G.  
27.6' + 30' = 57.6'  
MAXIMUM BUILDING HEIGHT = 57.6'  
ACTUAL BUILDING HEIGHT = 28.48' (56.08')



NOTE: ALREADY REMOVED & TO BE REMOVED TREES NOT SHOWN ON SITE PLAN. SEE DETAILING & TREE PLAN ON SHEETS A0.1, A0.2 & A0.3 FOR REMOVED & TO BE REMOVED TREES TO BE ADDED.

SEE LANDSCAPE PLAN ON SHEETS L1, L2 & L3 FOR NEW REPLACEMENT TREES TO BE ADDED.

THE CRITICAL AREA REVIEW ASSOCIATED WITH THIS PROJECT (PROCESSED UNDER CA022-011) MUST BE APPROVED PRIOR TO THE APPROVAL OF THE BUILDING PERMIT.

**SITE INFO**

OWNER: MARK HOUTCHENS  
ENGINEER: MDT ENGINEERING  
ZONE: R15  
LOT SIZE: 55,969# (129 ACRES)  
PARCEL NO.: 2439100110  
SETBACKS:  
- FRONT-20', REAR-25'  
- SIDE-5' MIN. TOTAL OF 17% OF LOT WIDTH  
HEIGHT LIMIT:  
- 30' ABOVE A.B.E.  
F.A.R. (LESSER OF):  
- 40% (22,387#) OR 17,000#  
LOT COVERAGE:  
- 40% (BUILDING & VEHICLE DRIVING SURFACE)  
REQUIRED LANDSCAPE:  
- 0%  
- LESS THAN 15%  
HARDSCAPE:  
- +9% (626#)

**150% GFA MODIFIER CALCULATIONS:**  
SQUARE FOOTAGE OVER 12'-0"

DINING/GREAT ROOM	- 586#
ENTRY	- 121#
PRIMARY SUITE	- 104#
PRIMARY BATH	- 56#
GUEST SUITE	- 16#
KITCHEN	- 163#
TOTAL	- 1154#

1154 / 7.7 = 150% GFA MODIFIER = 511#

**GROSS FLOOR AREA CALCULATIONS**

SITE AREA	- 55,969#
ALLOWABLE FAR	- 12,000#
MAIN FLOOR W/ GARAGE	- 5,721#
BASEMENT FLOOR	- 2,240#
TOTAL FLOOR AREA	- 7,961#
PROPOSED G.F.A.	- 7,961# (14.2%)

**LOT COVERAGE CALCULATIONS**

**EXIST. LOT COVERAGE SURFACE:**  
MAIN STRUCTURE W/ OVERHANGS - 3,674# (REMOVE)  
ACC. STRUCT. W/ OVERHANGS - 1,857# (REMOVE)  
DRIVING SURFACE - 5,781# (P. REMOVE)

TOTAL EXIST. LOT COVERAGE - 11,312#  
LOT COV. TO BE REMOVED - 7,380#  
REMAINING LOT COVERAGE - 3,932

**LOT COVERAGE SURFACE:**  
MAIN STRUCTURE W/ OVERHANGS - 6,410#  
EXIST. DRIVING SURFACE - 3,932#  
NEW DRIVING SURFACE - 2,915#

TOTAL LOT COVERAGE - 13,257#  
LOT AREA - 55,969#  
PROPOSED LOT COVERAGE - 13,257 / 55,969 = 23.7%  
MAXIMUM LOT COVERAGE - 23.31% (40%)  
REMAINING LOT COVERAGE - 9,130# (16.3%)

**HARDSCAPE CALCULATIONS**

**EXIST. HARDSCAPE SURFACE:**  
UNCOVERED PATIOS - 434# (REMOVE)  
WALKWAYS - 519# (REMOVE)  
STAIRS - 247# (REMOVE)  
ROCKERIES & RETAINING WALLS - 453# (P. REMOVE)

TOTAL EXIST. HARDSCAPE - 1,653#  
HARDSCAPE TO BE REMOVED - 1,000#  
REMAINING HARDSCAPE - 453#

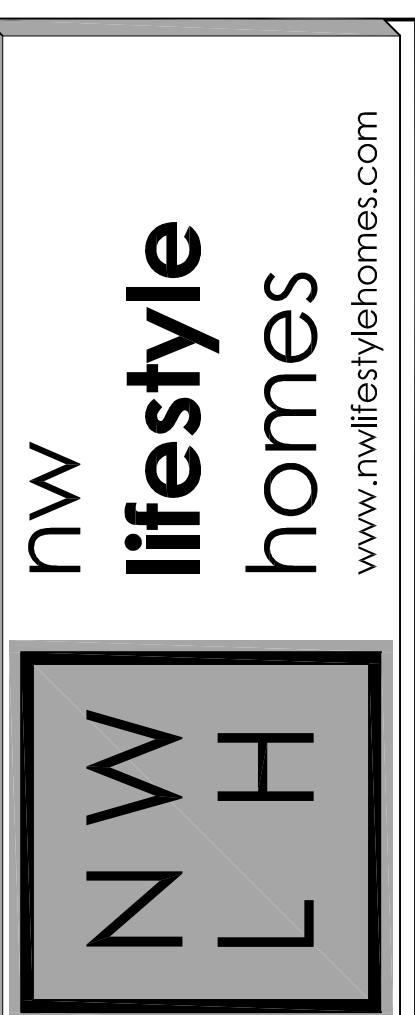
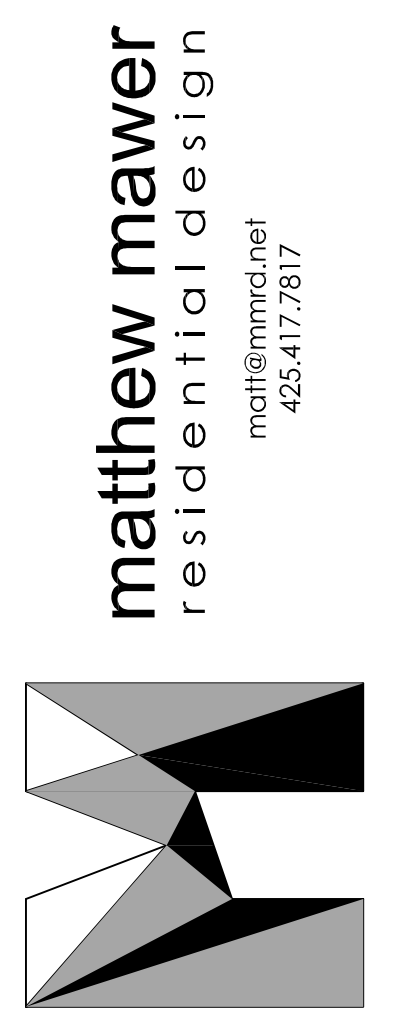
**NEW HARDSCAPE SURFACE:**  
UNCOVERED DECKS - 74#  
UNCOVERED PATIOS/STOOPS - 437#  
FLAGSTONE WALKWAYS - 809#  
STAIRS - 155#  
ROCKERIES & RETAINING WALLS - 56#  
POOL & SPA - 744#  
TRASH & RECYCLE - 95#

TOTAL NEW HARDSCAPE - 2,370#  
EXISTING ROCKERY - 171#  
EXISTING RETAINING WALLS - 216#  
TOTAL HARDSCAPE - 2,823#  
LOT AREA - 55,969#  
PROPOSED HARDSCAPE - 2,823 / 55,969 = 5.0%  
MAXIMUM HARDSCAPE - 16.3% + 5% = 21.3%

6544' TOTAL LOT COV. & HARDSCAPE IN SECONDARY OFFSET  
SECONDARY OFFSET AREA = 5,430#  
30% OF ALLOWABLE LOT COV. & HARDSCAPE = 1,629#  
ACTUAL LOT COV. & HARDSCAPE IN SECONDARY OFFSET = 12.1%

DEVELOPMENT PROPOSALS FOR A NEW SINGLE-FAMILY HOME SHALL REMOVE JAPANESE KNOTWEED (POLYGONUM CUSPIDATUM) AND REGULATED CLASS A, REGULATED CLASS B, AND REGULATED CLASS C WEEDS IDENTIFIED ON THE KING COUNTY NOXIOUS WEED LIST, AS AMENDED, FROM REQUIRED LANDSCAPING AREAS ESTABLISHED PURSUANT TO SUBSECTION 19.02.020(F)(3)(A). NEW LANDSCAPING ASSOCIATED WITH NEW SINGLE-FAMILY HOME SHALL NOT INCORPORATE ANY WEEDS IDENTIFIED ON THE KING COUNTY NOXIOUS WEED LIST, AS AMENDED, PROVIDED THAT REMOVAL SHALL NOT BE REQUIRED IF THE REMOVAL WILL RESULT IN INCREASED SLOPE INSTABILITY OR RISK OF LANDSLIDE OR EROSION.

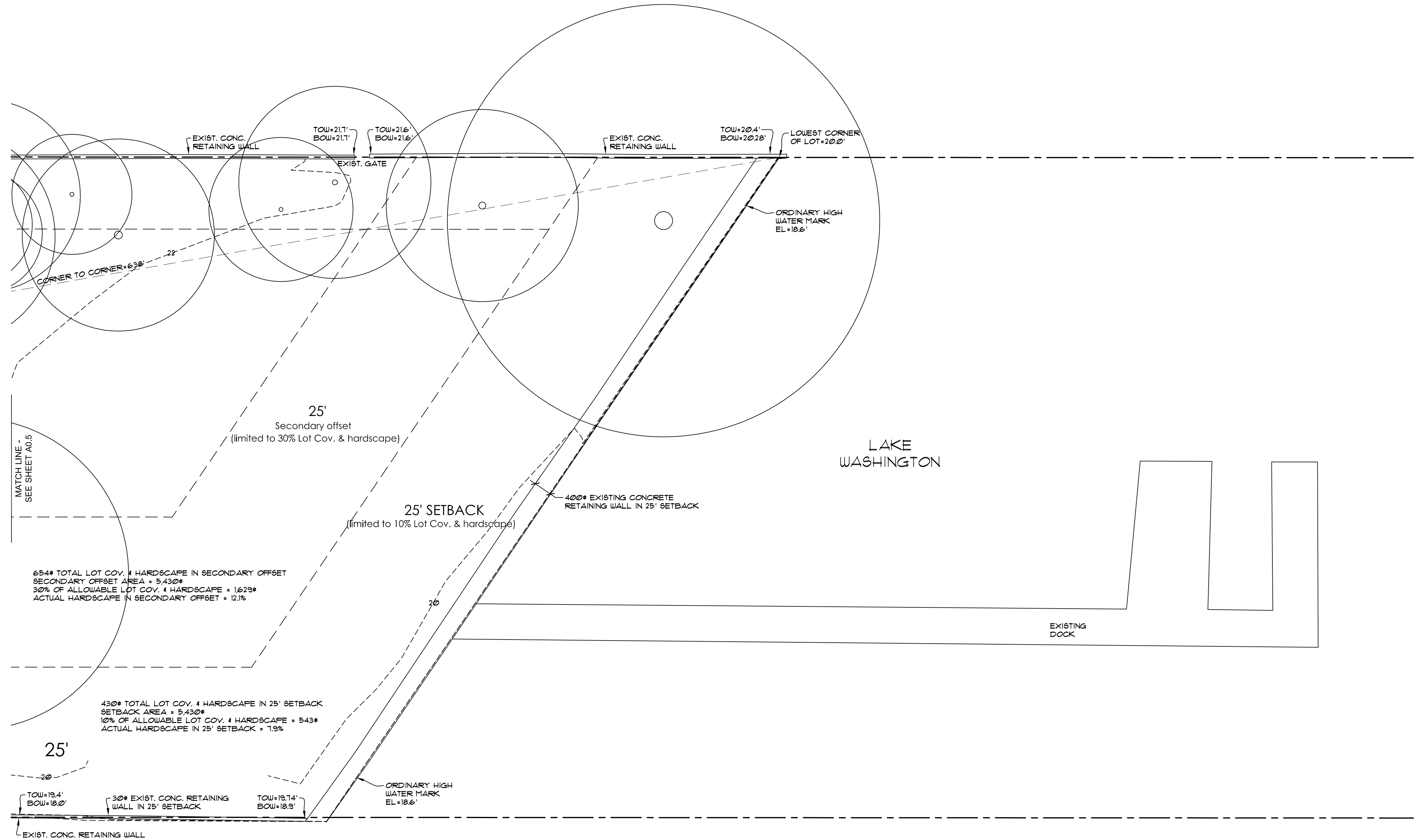
**SITE PLAN (2 OF 3)**  
SCALE: 1" = 10'  
6024 SE 22nd ST  
MERCER ISLAND, WA 98040



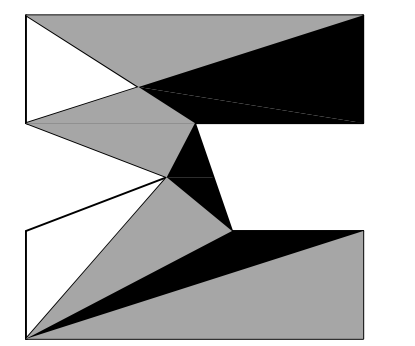
**HOUTCHENS RESIDENCE**  
6024 SE 22nd ST  
MERCER ISLAND, WA 98040

JOB NO: 20-020  
DATE: 9/01/22  
DRWN. BY: MM, MG  
REVISED: 8/29/23

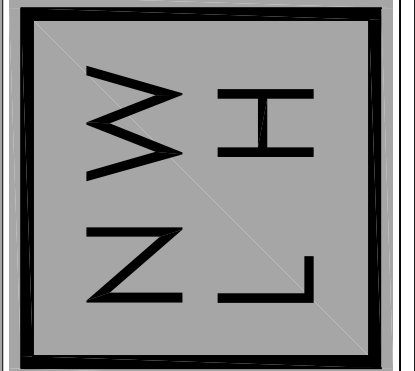
SHEET NO.  
**A0.5**



SITE PLAN (3 OF 3)  
 SCALE: 1" = 10'  
 6024 SE 22nd ST  
 MERCER ISLAND, WA 98040



nw  
**lifestyle**  
 homes  
 www.nwlifestylehomes.com



HOUTCHENS RESIDENCE  
 6024 SE 22nd ST  
 MERCER ISLAND, WA 98040

JOB NO: 20-020  
 DATE: 9/01/22  
 DRWN. BY: MM, MG  
 REVISED: 6/21/23

SHEET NO.  
**A0.6**





**REVISIONS**

1	2023.09.07 - SITE REVISIONS

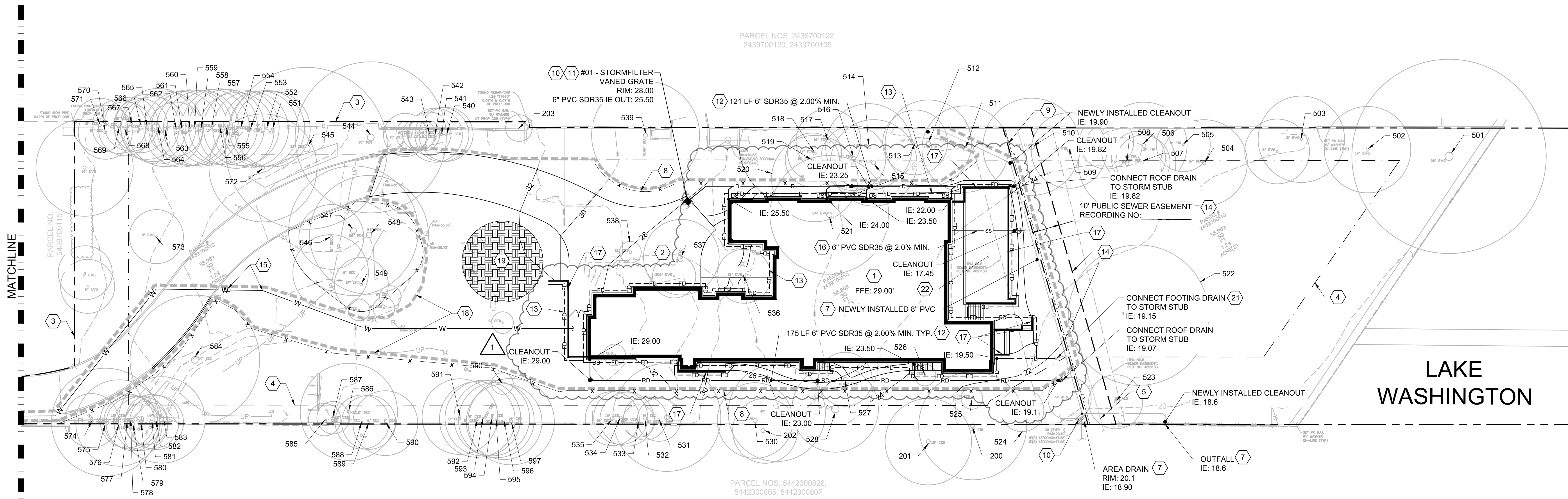
**DATE**  
04.19.2023

**BORA NO.**  
22135

**DRAWN BY:** KSS **DESIGNED BY:** RMB

**REVIEWED BY:** JGG

**SHEET TITLE**  
GRADING, DRAINAGE AND TREE PROTECTION PLAN



**SHEET NOTES**

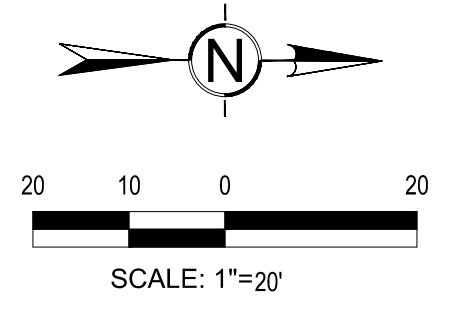
- 1 NEW SINGLE FAMILY HOUSE. SEE ARCHITECTURAL PLANS.
- 2 DRIVEWAY. SEE ARCHITECTURAL PLANS.
- 3 PROPERTY LINE.
- 4 BUILDING SETBACK.
- 5 EXISTING SANITARY SEWER SERVICE LINE TO REMAIN AND BE PROTECTED. NEW 10' EASEMENT WILL BE PROVIDED.
- 6 NOT USED.
- 7 STORM DRAIN LINE AND OUTFALL INSTALLED UNDER SEPARATE PERMIT.
- 8 TREE PROTECTION PER C4/A07. ALL TREE PROTECTION TO BE CHAINLINK FENCE.
- 9 SILT FENCE PER C3/A07.
- 10 INLET PROTECTION PER DETAIL.
- 11 2 CARTRIDGE CATCHBASIN STORMFILTER PER DETAIL.
- 12 ROOF DRAIN PER DETAILS.
- 13 FOOTING DRAIN PER DETAIL.
- 14 PUBLIC 10' SEWER EASEMENT.
- 15 NEW 1.5" METER AND 2" SERVICE CONNECTION PER STANDARD W-14. PROVIDE REDUCED PRESSURE BACKFLOW ASSEMBLY WITH FROST PROTECTION (I.E. ENCLOSURE OR HEAT TAPE) IN ACCORDANCE WITH PLUMBING CODE. RPBA PRODUCT SHALL BE SUBMITTED TO CITY FOR APPROVAL PRIOR TO INSTALLATION COORDINATE RPBA TESTING REQUIREMENTS WITH THE CITY OF MERCER ISLAND. RPBA SHALL BE AN APPROVED ASSEMBLY PER WAC 246-290-490.
- 16 CONNECT TO SIDE SEWER STUB. PROVIDE CLEANOUT AND BACKFLOW PREVENTOR AT EXTERIOR OF BUILDING PER DETAIL S-18.
- 17 PROPOSED RETAINING WALL SHOWN FOR REFERENCE ONLY. SEE ARCHITECTURAL PLANS FOR RETAINING WALL DESIGN.
- 18 CLEARING LIMITS.
- 19 TEMPORARY STORAGE AND STAGING AREA.
- 20 EXISTING DRIVEWAY TO SERVE AS TEMPORARY ACCESS.
- 21 PROVIDE SWING CHECK VALVE ON FOOTING DRAIN LINE PRIOR TO CONNECTION TO STORM STUB.
- 22 POOL AND SPA. SEE ARCHITECTURAL PLANS.

**TESC NOTES**

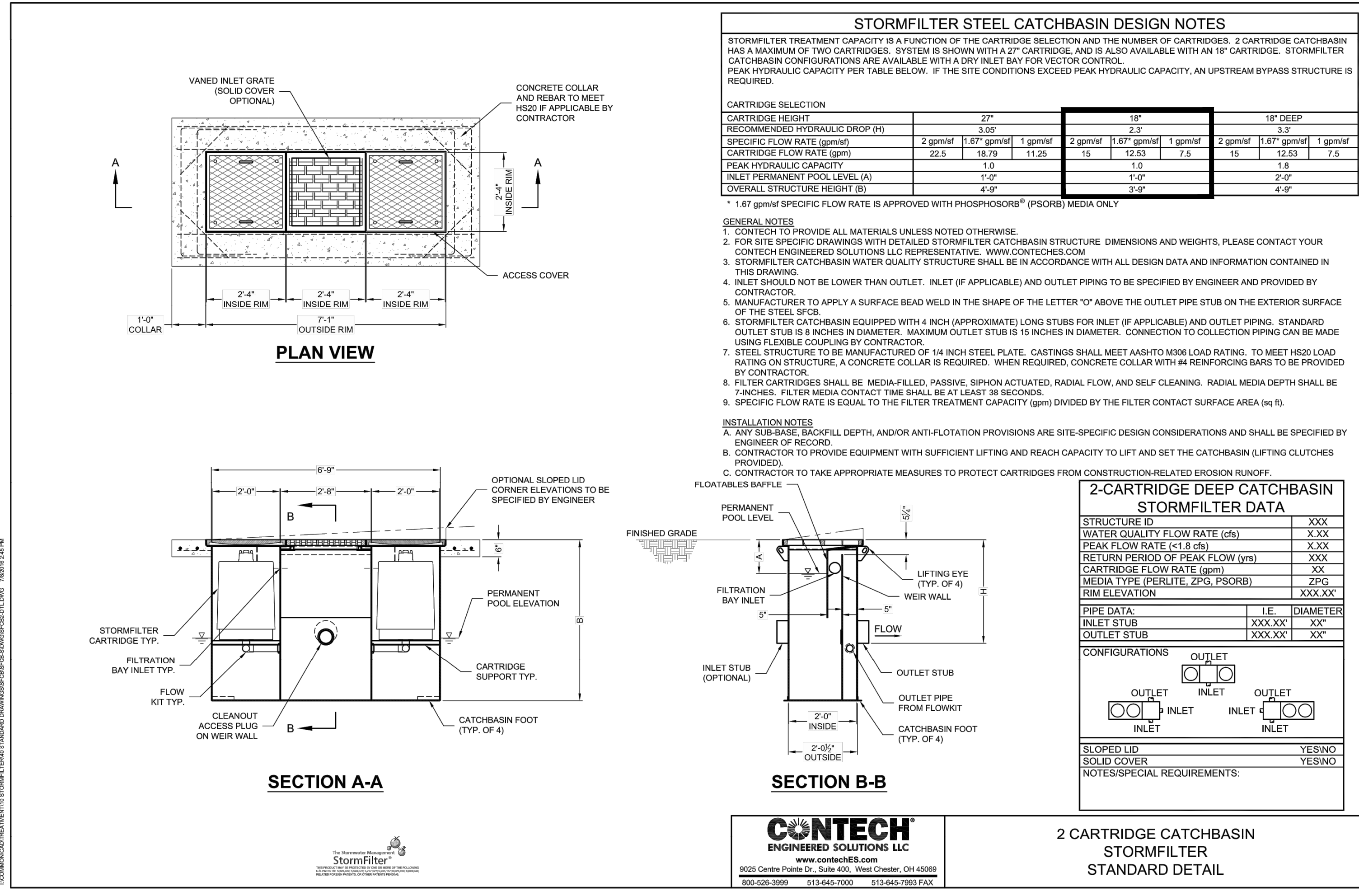
- 1. INLET PROTECTION SHALL BE PROVIDED FOR ALL CATCH BASINS WITHIN 500 FT OF THE PROJECT SITE DURING CONSTRUCTION.
  - 2. DISCHARGE FOUNDATION AND TRENCH DEWATERING WATER, WHICH HAVE CHARACTERISTICS SIMILAR TO STORMWATER RUNOFF AT THE SITE, INTO A CONTROLLED CONVEYANCE SYSTEM BEFORE DISCHARGE. CLEAN, NON-TURBID DEWATERING WATER SHALL BE DISCHARGED TO SYSTEMS TRIBUTARY TO, OR DIRECTLY INTO SURFACE WATERS OF THE STATE, PROVIDED THE DEWATERING FLOW DOES NOT CAUSE EROSION OR FLOODING OF RECEIVING WATERS OR INTERFERE WITH THE OPERATION OF THE SYSTEM.
- HIGHLY TURBID DEWATERING WATER SHOULD BE HANDLED SEPARATELY FROM STORMWATER. DISPOSAL OPTIONS MAY INCLUDE: 1) INFILTRATION, 2) USE OF SEDIMENTATION BAG WITH DISCHARGE TO A DITCH OR SWALE FOR SMALL VOLUMES OF LOCALIZED DEWATERING, OR 3) PUMPED TO A TEMPORARY SETTLING TANK PRIOR TO DISCHARGING TO SYSTEMS TRIBUTARY TO, OR DIRECTLY INTO SURFACE WATERS OF THE STATE.
- CONTAMINATED DEWATERING WATER, SUCH AS FROM CONSTRUCTION EQUIPMENT OPERATION, SHOULD BE HANDLED SEPARATELY FROM CLEAN STORMWATER. TREATMENT OPTIONS FOR DISPOSAL MAY INCLUDE: 1) TRANSPORT OFF-SITE IN A VEHICLE, SUCH AS VACUUM FLUSH TRUCK, FOR LEGAL DISPOSAL IN A MANNER THAT DOES NOT POLLUTE WATERS OF THE STATE, OR 2) ECOLOGY-APPROVED ON-SITE CHEMICAL TREATMENT OR OTHER SUITABLE TREATMENT TECHNOLOGIES APPLIED PRIOR TO DISCHARGE.

**GENERAL NOTES**

- 1. LAWN AND LANDSCAPE AREAS SHALL MEET THE POST-CONSTRUCTION SOIL QUALITY AND DEPTH REQUIREMENTS SPECIFIED ON THE PLAN SET PRIOR TO FINAL INSPECTION OF THE PROJECT. PROPOSED LAWN AND LANDSCAPE AREAS SHALL RECEIVE TOPSOIL AMENDED WITH CEDAR GROVE FINE GRADE COMPOST OR OTHER COMPOST THAT MEETS WSDOT STANDARD SPEC 9-14.5(B) AT A RATE OF 0.01 CY PER SQUARE FOOT. SEE DETAIL FOR POST CONSTRUCTION SOIL QUALITY AND DEPTH SECTION.
- 2. PROVIDE A MINIMUM 2 INCH LIFT OF MULCH IN ALL PLANTING AREAS FOR EROSION CONTROL.
- 3. PROPOSED LAWN AREAS SHALL RECEIVE TOPSOIL AMENDED WITH CEDAR GROVE FINE GRAVE COMPOST OR OTHER COMPOST THAT MEETS WSDOT STANDARD SPEC 9-14.5(B) AT A RATE OF 0.005 CY PER SQUARE FOOT. SEE DETAIL FOR POST CONSTRUCTION SOIL QUALITY AND DEPTH SECTION.
- 4. TV INSPECTION OF THE EXISTING SIDE SEWER TO THE CITY SEWER MAIN IS REQUIRED PRIOR TO ANY WORK RELATED TO THE SIDE SEWER. IF THE RESULT OF THE TV INSPECTION IS NOT IN SATISFACTORY CONDITION, AS DETERMINED BY THE CITY OF MERCER ISLAND INSPECTOR, THE REPLACEMENT OF THE EXISTING SIDE SEWER IS REQUIRED.
- 5. ISA TRAQ CERTIFIED ARBORIST REQUIRED ON SITE DURING EXCAVATION WITHIN DRIPLENS OF PRESERVED TREES 515, 516, 520, AND 528. ARBORIST WILL DIRECT SOIL CUTTING WITH A FLAT BUCKET UNTIL ROOTS ARE DISCOVERED. THEN AIR EXCAVATE TO LOCATE ROOTS TO PRUNE WITH A SHARP TOOL. FOLLOW TREE PROTECTION GUIDELINES DISCUSSED IN THE ARBORIST REPORT. DOCUMENT ANY CONSTRUCTION IMPACTS TO TREES.

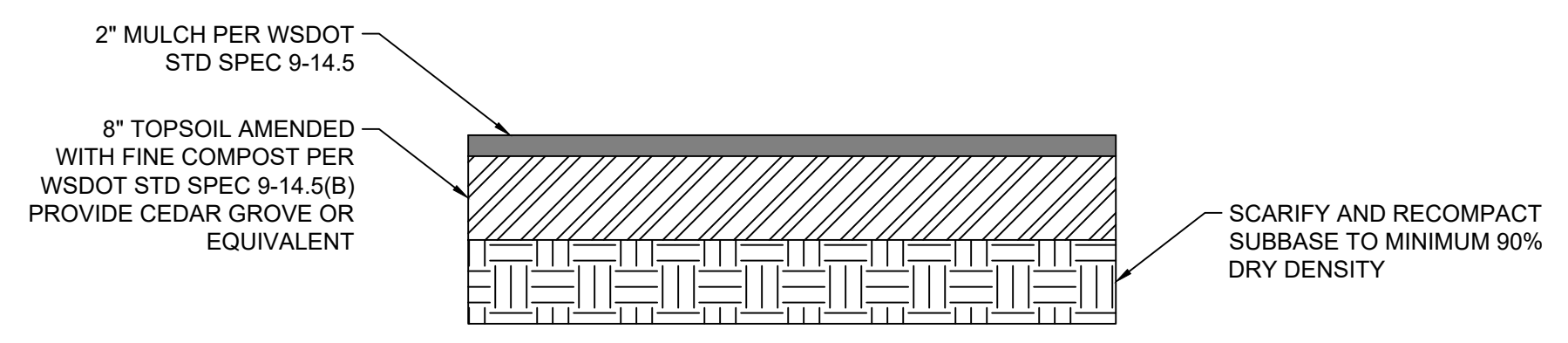


Know what's below.  
 Call before you dig.



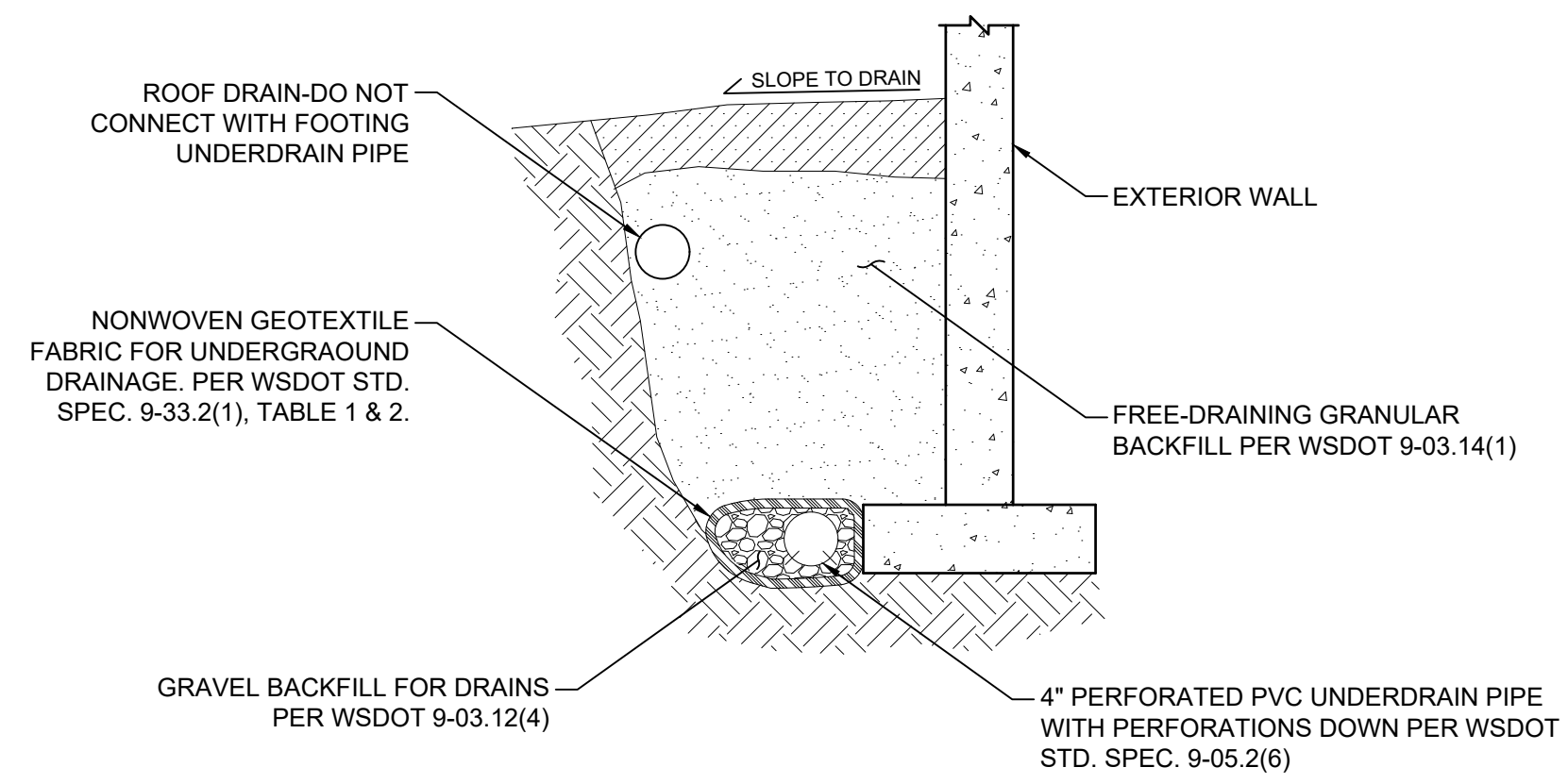
CATCHBASIN STORMFILTER

SCALE: NTS 1



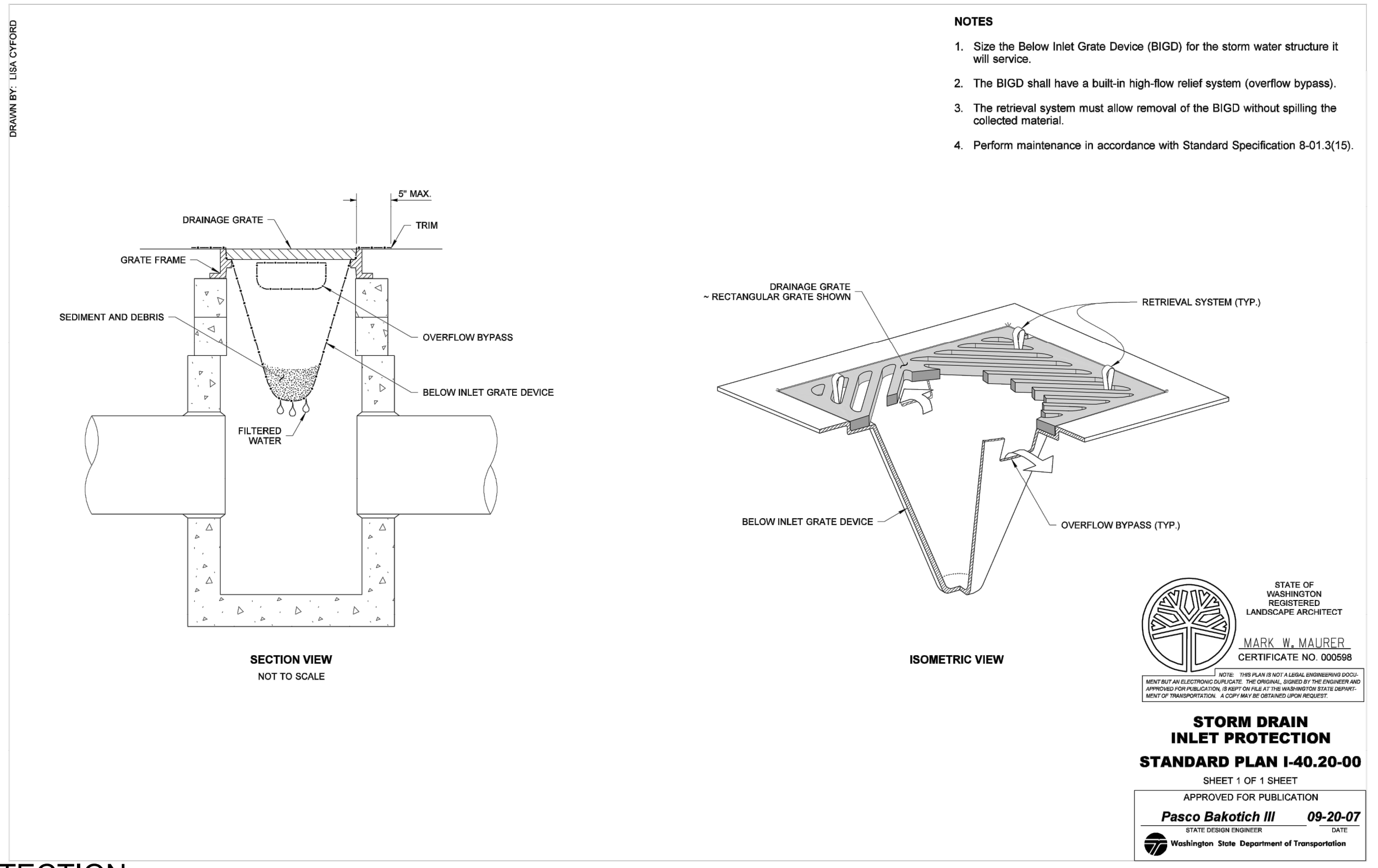
POST CONSTRUCTION SOIL QUALITY AND DEPTH

SCALE: NTS 3



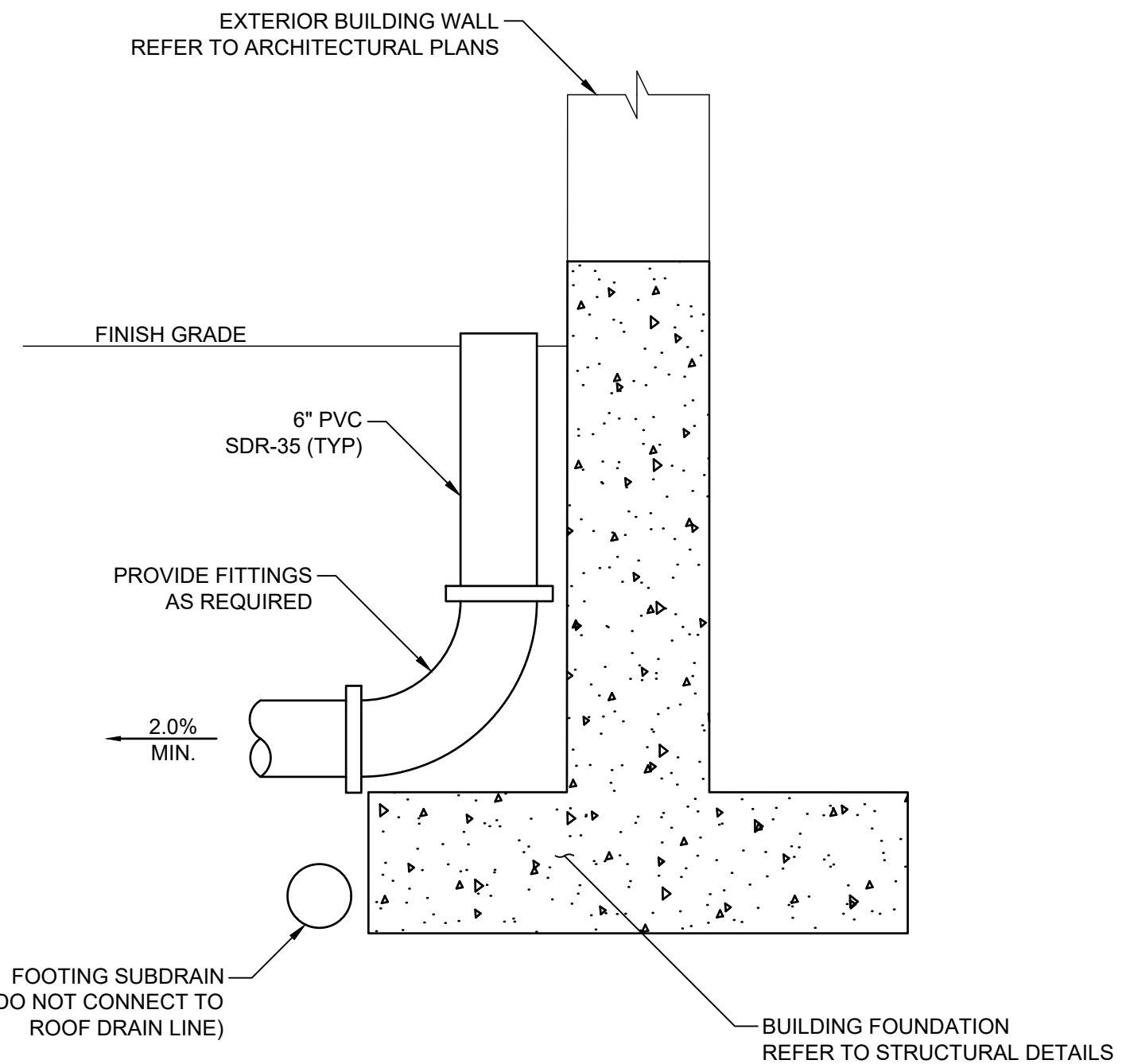
FOOTING AND ROOF DRAIN SECTION

SCALE: NTS 4



INLET PROTECTION

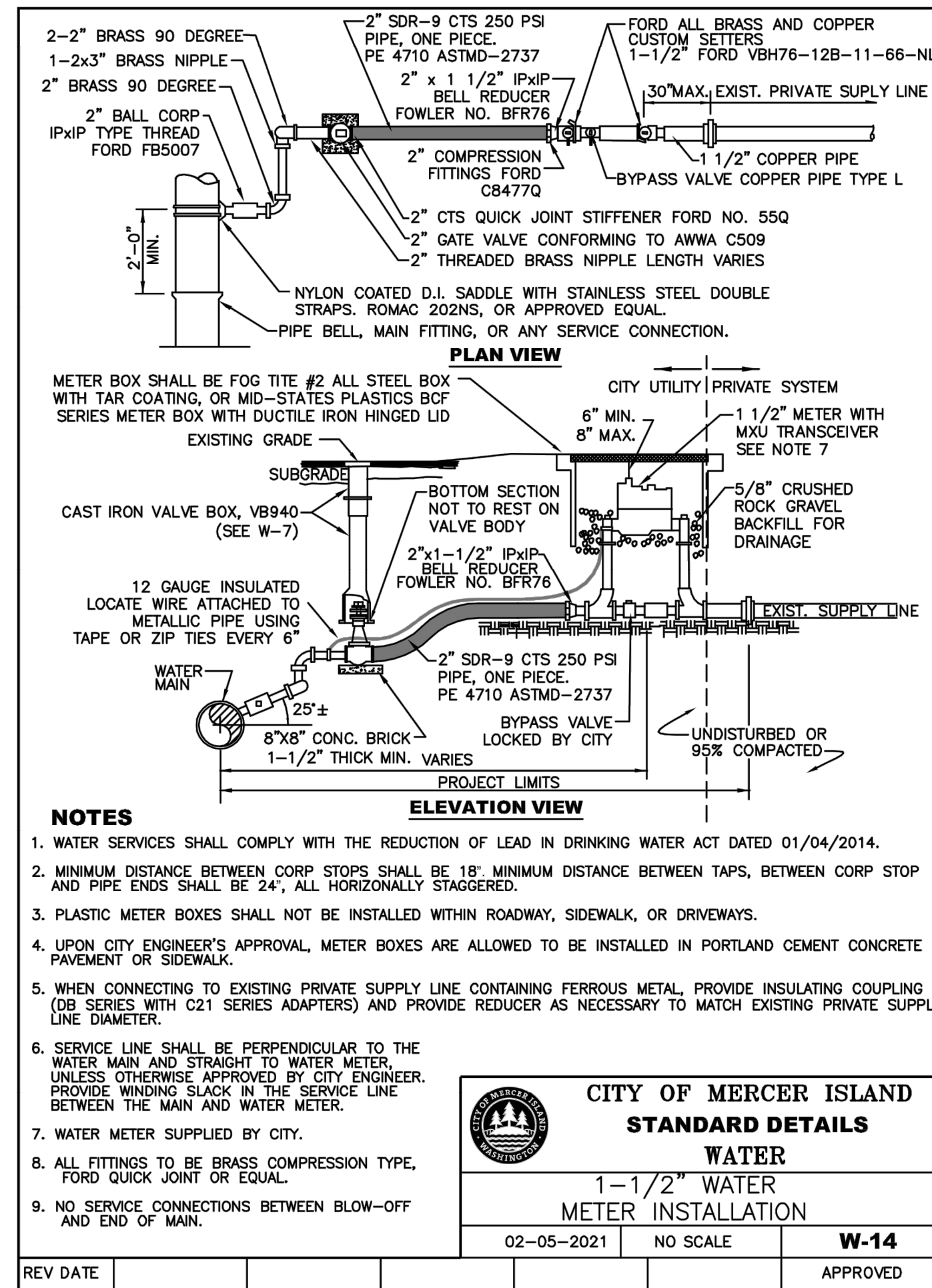
SCALE: NTS 2



DOWNSPOUT CONNECTION

SCALE: NTS 5

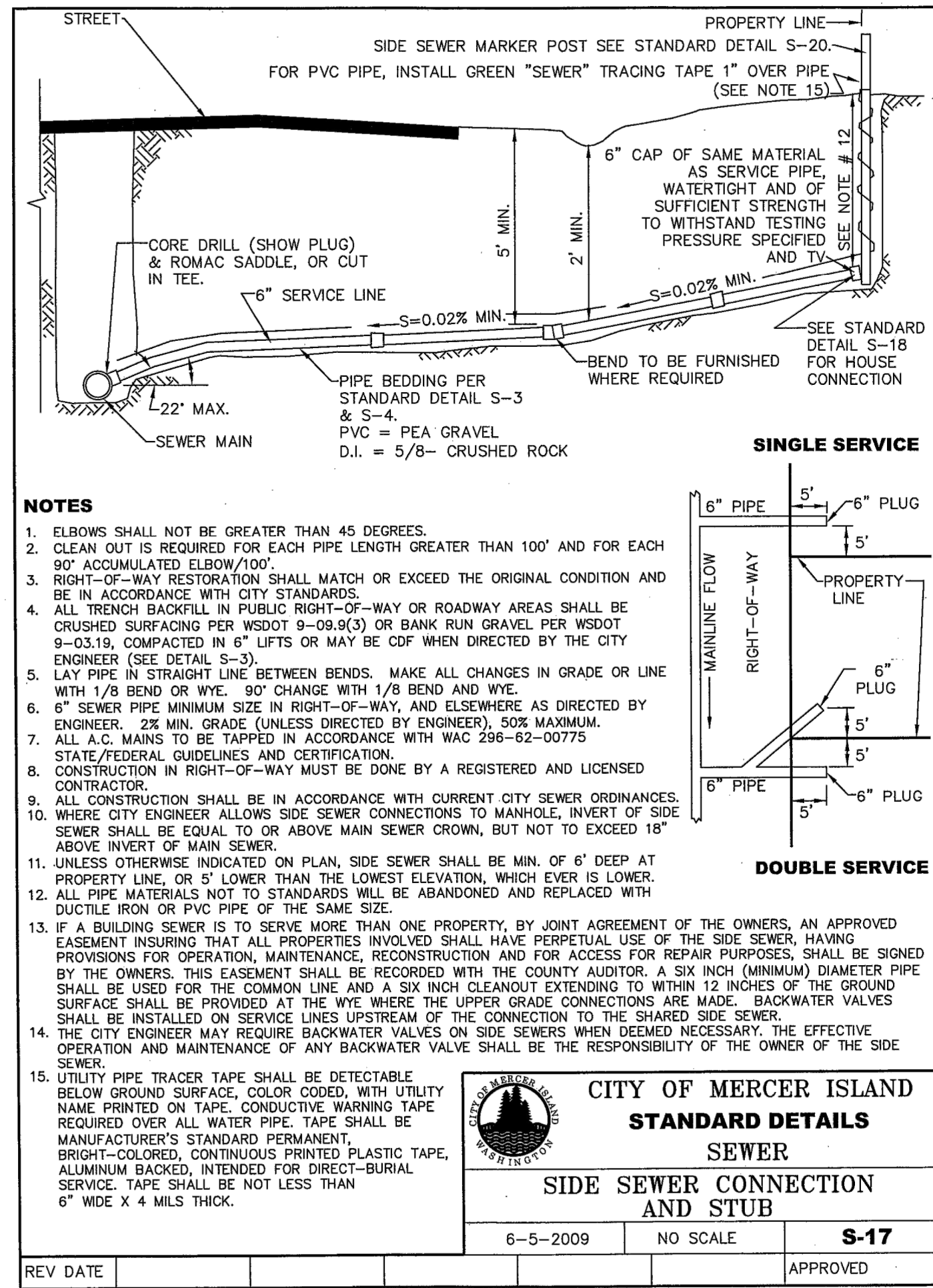
REVISIONS

1.5 INCH WATER METER INSTALLATION

SCALE: NTS

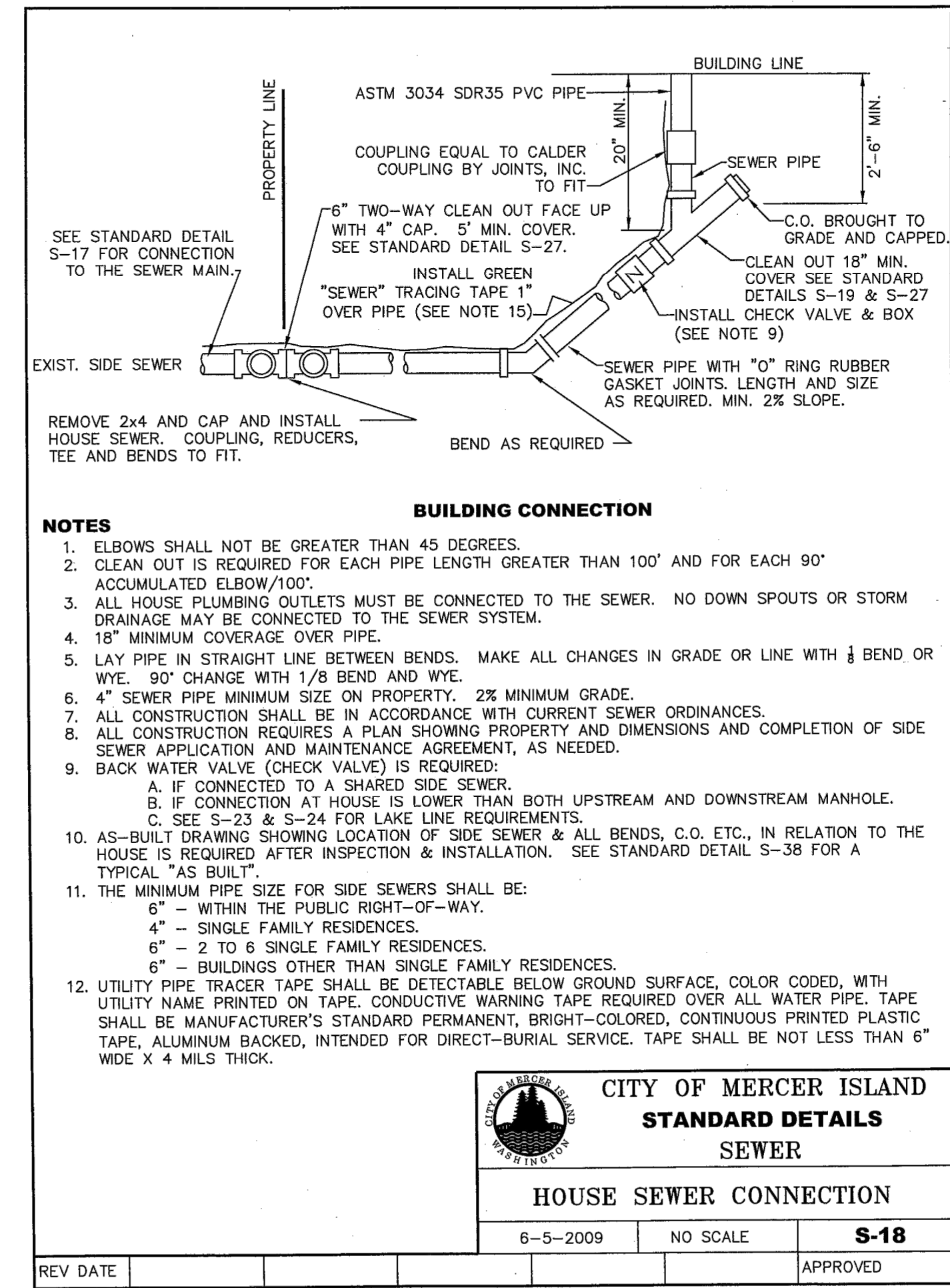
1



SIDE SEWER CONNECTION AND STUB

SCALE: NTS

2



HOUSE SEWER CONNECTION

SCALE: NTS

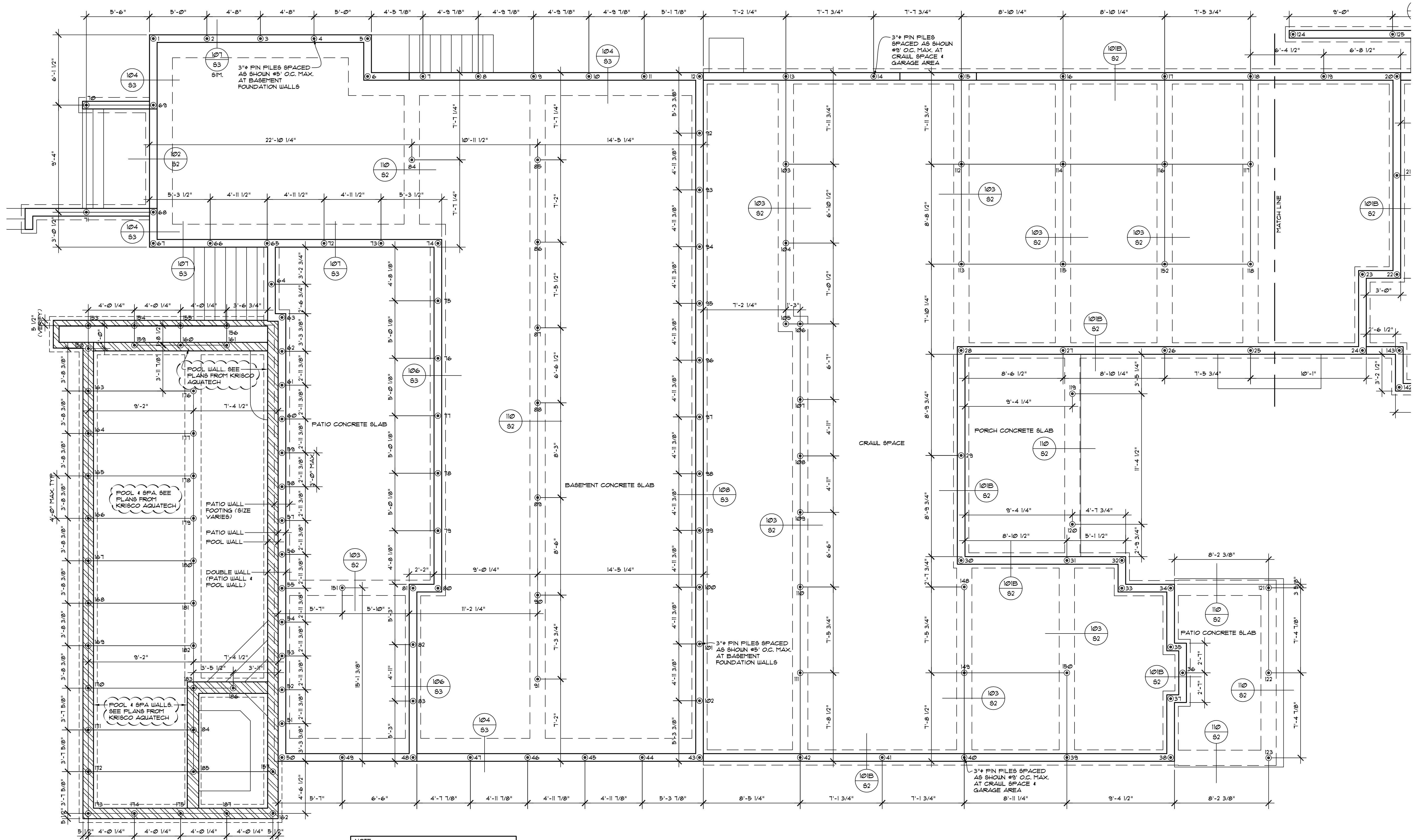
3



03/13/2023

PROJECT  
**HOUTCHENS RESIDENCE**  
6024 SE 22ND ST  
MERCER ISLAND, WA 98040

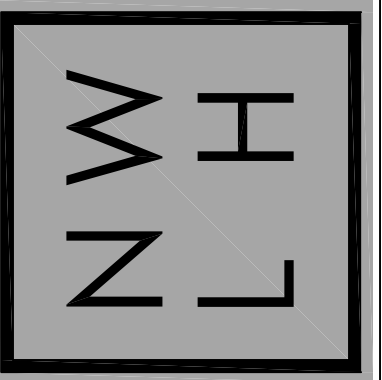
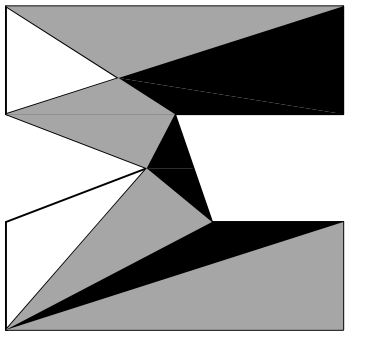
DATE	03.10.2023
BORA NO.	22135
DRAWN BY	KSS
DESIGNED BY	KSS
REVIEWED BY	JJG
SHEET TITLE	CONSTRUCTION DETAILS



NOTE:  
 TO REDUCE THE POTENTIAL OF SLAB SETTLEMENT  
 AND DISTRESS, THE GEOTECHNICAL ENGINEER  
 RECOMMENDS REMOVING A MINIMUM OF 1-FOOT OF  
 EXISTING SOIL BELOW THE SLAB, AND PLACING  
 1-FOOT OF PROPERLY COMPACTED  
 FREE-DRAINING GRANULAR STRUCTURAL FILL PER  
 GEOTECHNICAL REPORT SECTION 6.4

PIN PILE PLAN (1 OF 2)

SCALE: 1/4" = 1' - 0"

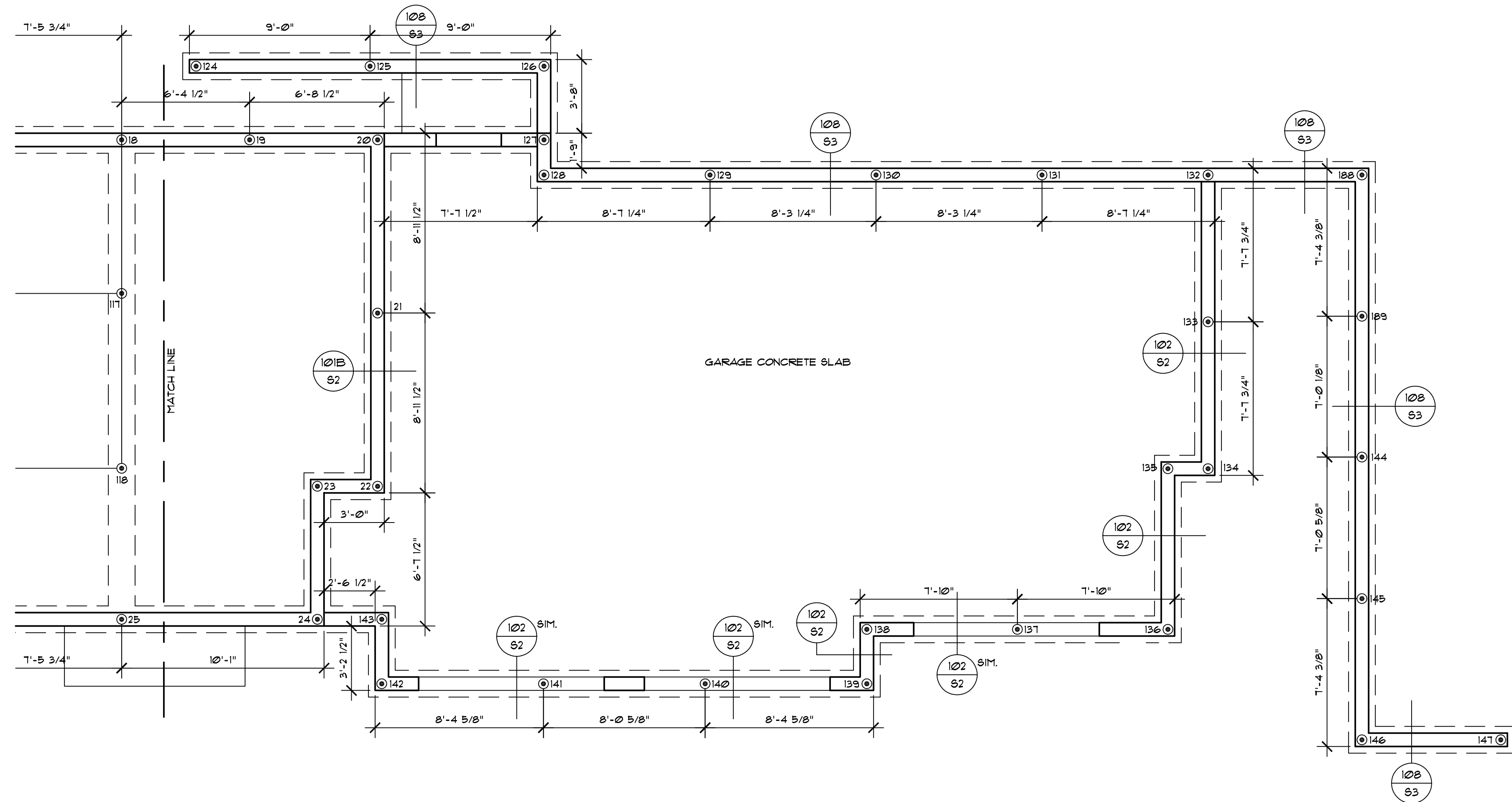


HOUTCHENS RESIDENCE  
 6024 SE 22nd ST  
 MERCER ISLAND, WA 98040

JOB NO: 20-020  
 DATE: 9/01/22  
 DRN. BY: MM, MG  
 REVISED: 8/29/23

SHEET NO.  
**P1**

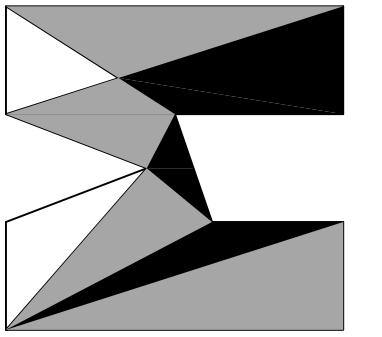
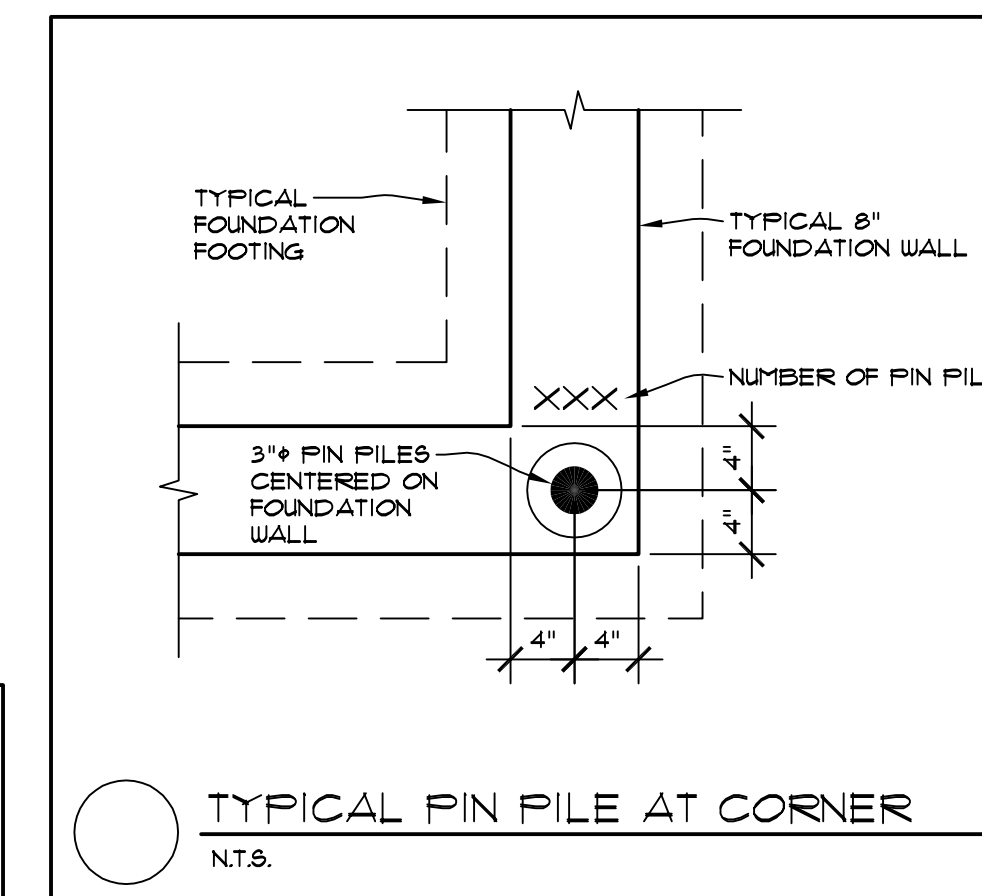




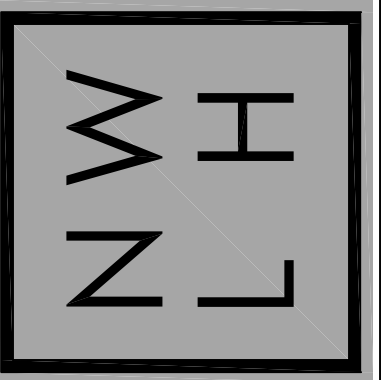
PIN PILE PLAN (2 OF 2)

SCALE: 1/4" = 1' - 0"

NOTE:  
 TO REDUCE THE POTENTIAL OF SLAB SETTLEMENT AND DISTRESS, THE GEOTECHNICAL ENGINEER RECOMMENDS REMOVING A MINIMUM OF 1-FOOT OF EXISTING SOIL BELOW THE SLAB, AND PLACING 1-FOOT OF PROPERLY COMPACTED FREE-DRAINING GRANULAR STRUCTURAL FILL PER GEOTECHNICAL REPORT SECTION 6.4



nw  
 lifestyle  
 homes  
 www.nwlifestylehomes.com

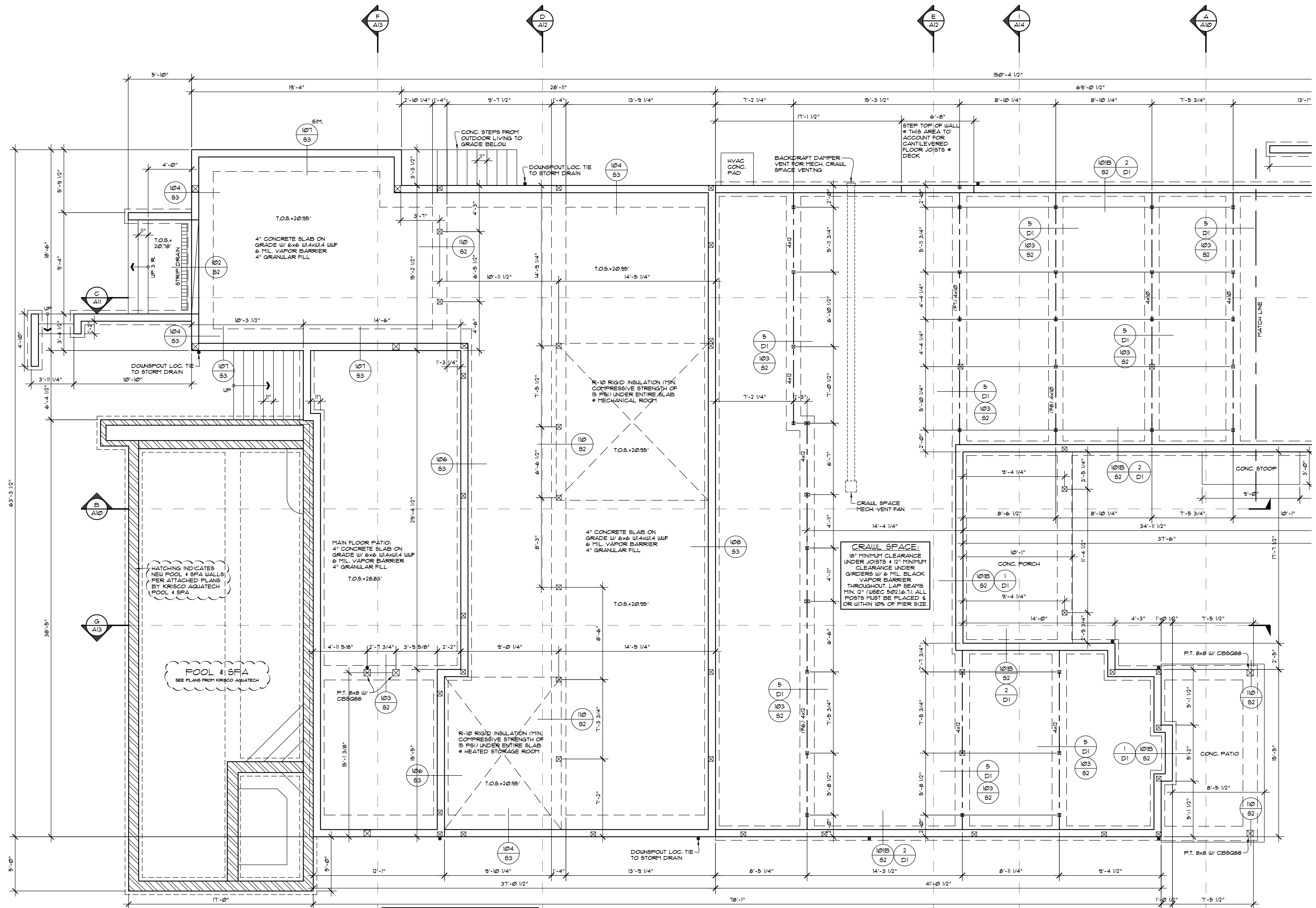
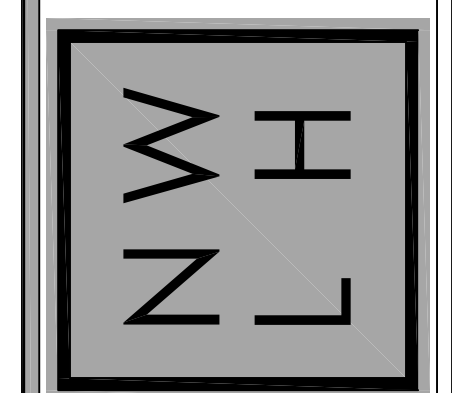
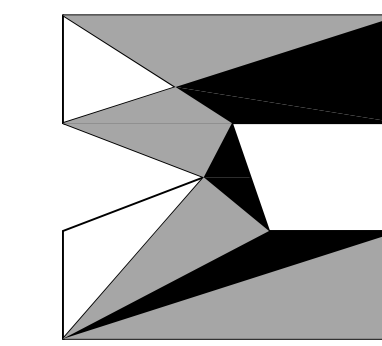


HOUTCHENS RESIDENCE  
 6024 SE 22nd ST  
 MERCER ISLAND, WA 98040

JOB NO: 20-020  
 DATE: 9/01/22  
 DRAWN BY: MM, MG  
 REVISED: 8/29/23

SHEET NO.

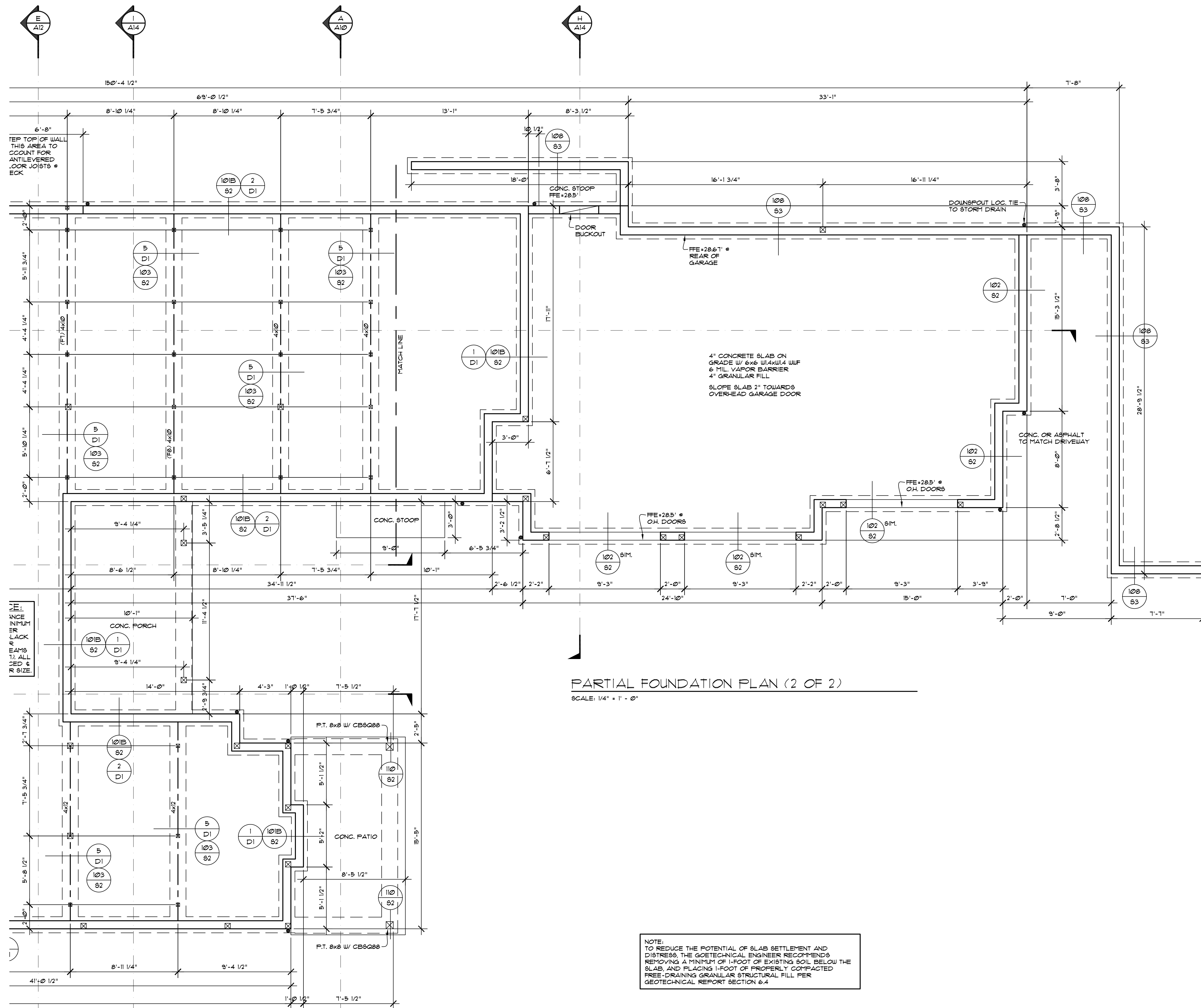
P2



**CRAWL VENTILATION CALCULATION**  
CRAWL SPACE UNDER FLOOR AREA TO REQUIRE VENTING = 2,454 SF.  
PROVIDE 1/2 CFM PER SQ. FT. OF MECHANICAL VENTILATION 2,454 / 50 = 49.1  
PROVIDE MINIMUM 50 CFM CONTINUOUS MECHANICAL VENTING

**NOTE:**  
TO REDUCE THE POTENTIAL OF SLAB SETTLEMENT AND DISTRESS, THE GEOTECHNICAL ENGINEER RECOMMENDS REMOVING A MINIMUM OF 1-FOOT OF EXISTING SOIL BELOW THE SLAB, AND PLACING 1-FOOT OF PROPERLY COMPACTED FREE-DRAINING GRANULAR STRUCTURAL FILL PER GEOTECHNICAL REPORT SECTION 6.4

**PARTIAL FOUNDATION PLAN (1 OF 2)**  
SCALE: 1/4" = 1' - 0"



**PARTIAL FOUNDATION PLAN (2 OF 2)**  
SCALE: 1/4" = 1' - 0"

NOTE:  
TO REDUCE THE POTENTIAL OF SLAB SETTLEMENT AND DISTRESS, THE GEOTECHNICAL ENGINEER RECOMMENDS REMOVING A MINIMUM OF 1-FOOT OF EXISTING SOIL BELOW THE SLAB, AND PLACING 1-FOOT OF PROPERLY COMPACTED FREE-DRAINING GRANULAR STRUCTURAL FILL PER GEOTECHNICAL REPORT SECTION 6.4

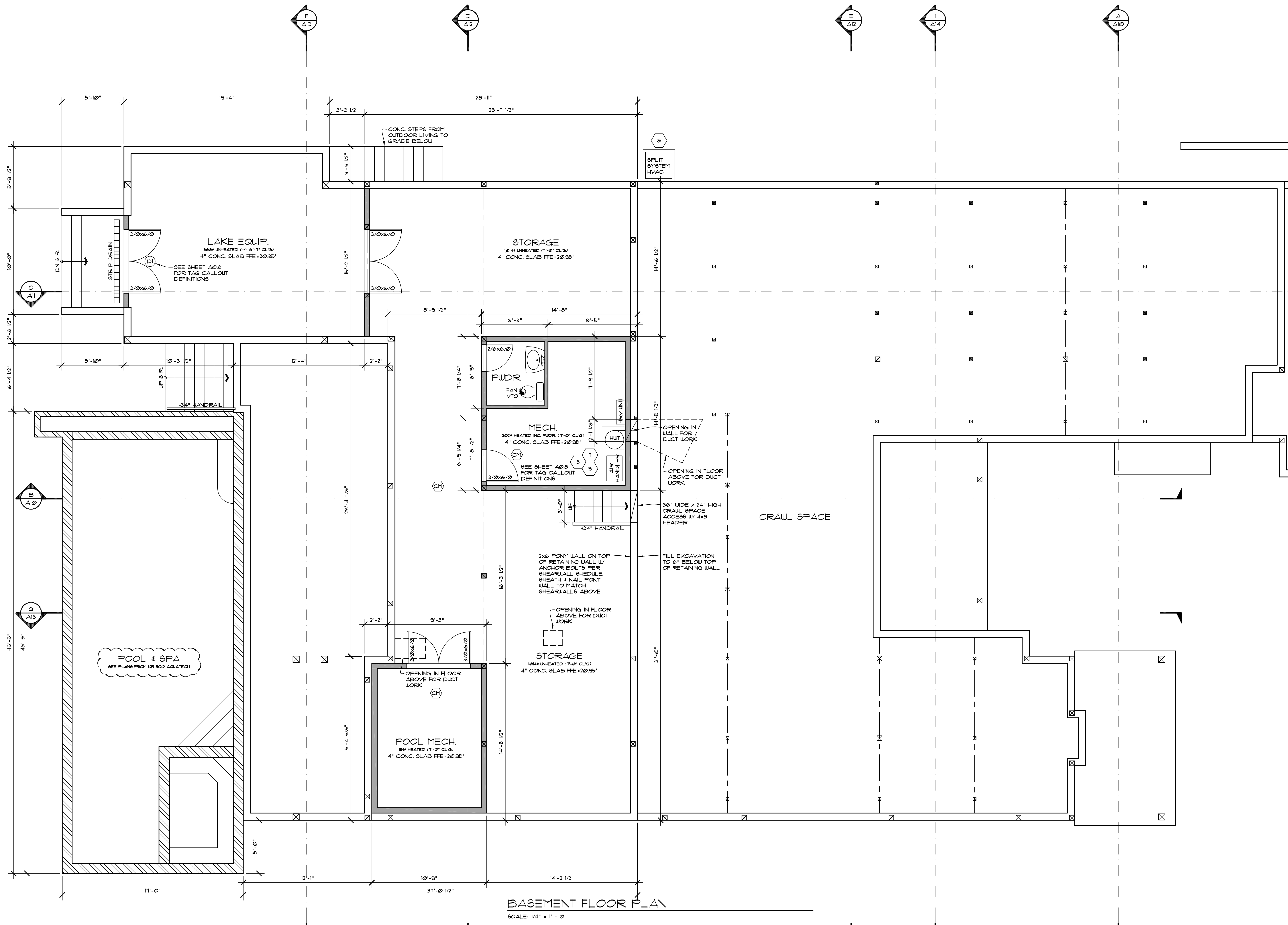
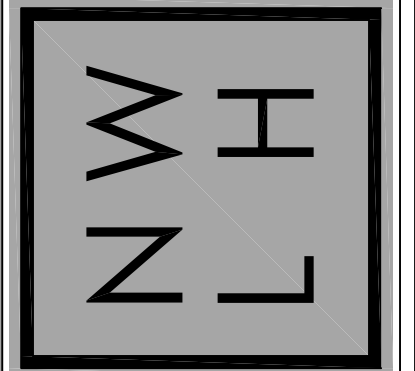
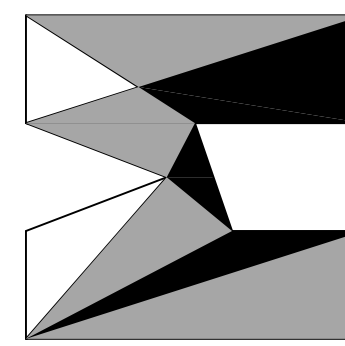
nw **lifestyle** homes  
www.nwlifestylehomes.com

**N W L H**

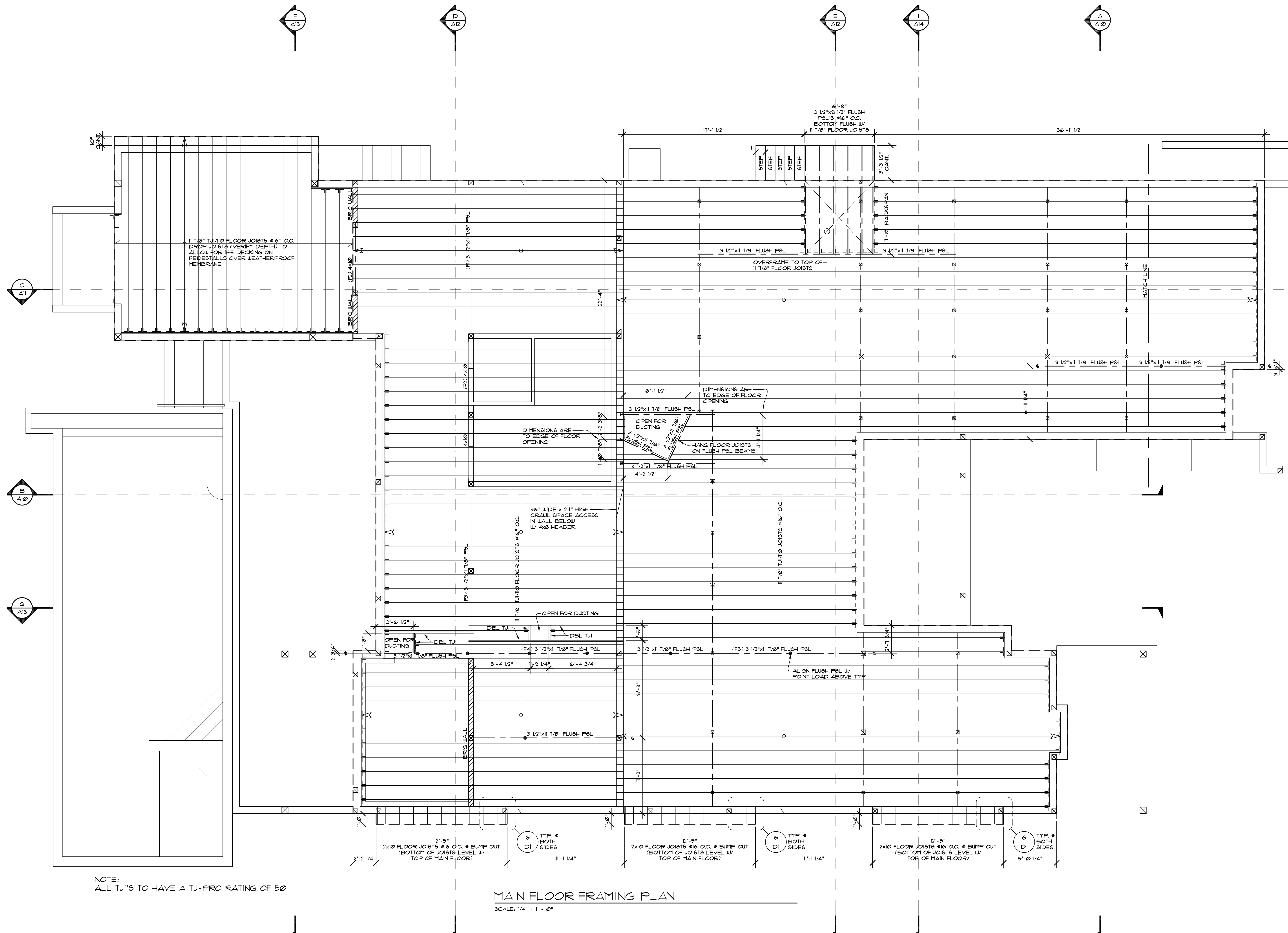
**HOUTCHENS RESIDENCE**  
6024 SE 22nd ST  
MERCER ISLAND, WA 98040

JOB NO: 20-020  
DATE: 9/01/22  
DRWN. BY: MM, MG  
REVISED: 8/29/23

SHEET NO.  
**A2**



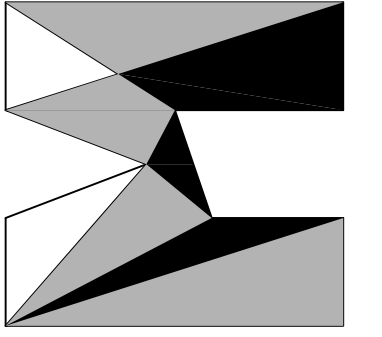
**BASEMENT FLOOR PLAN**  
SCALE: 1/4" = 1' - 0"



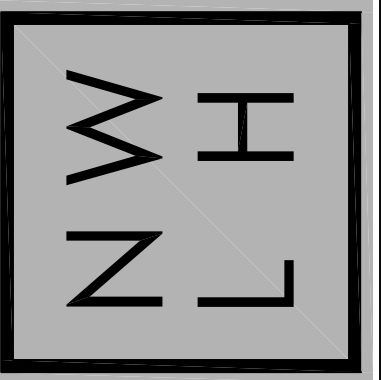
NOTE:  
ALL TJI'S TO HAVE A TJ-PRO RATING OF 50

**MAIN FLOOR FRAMING PLAN**

SCALE: 1/4" = 1' - 0"



nw  
**lifestyle**  
homes  
www.nwlifestylehomes.com

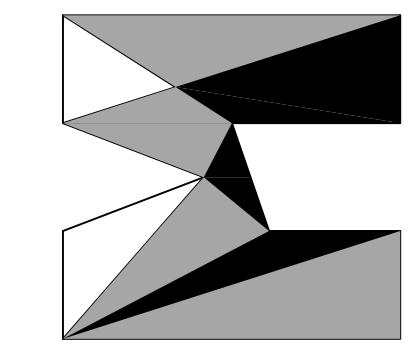


**HOUTCHENS RESIDENCE**  
6024 SE 22nd ST  
MERCER ISLAND, WA 98040

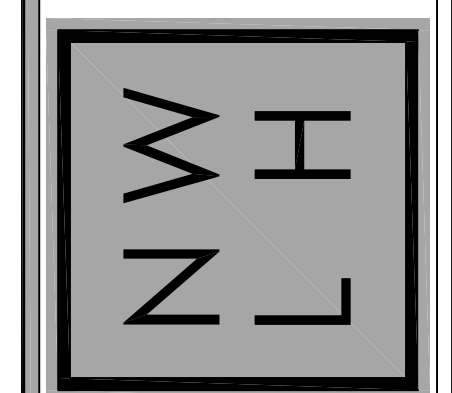
JOB NO: 20-020  
DATE: 9/01/22  
DRN. BY: MM, MG  
REVISED: 1/26/23

SHEET NO.

**A4**



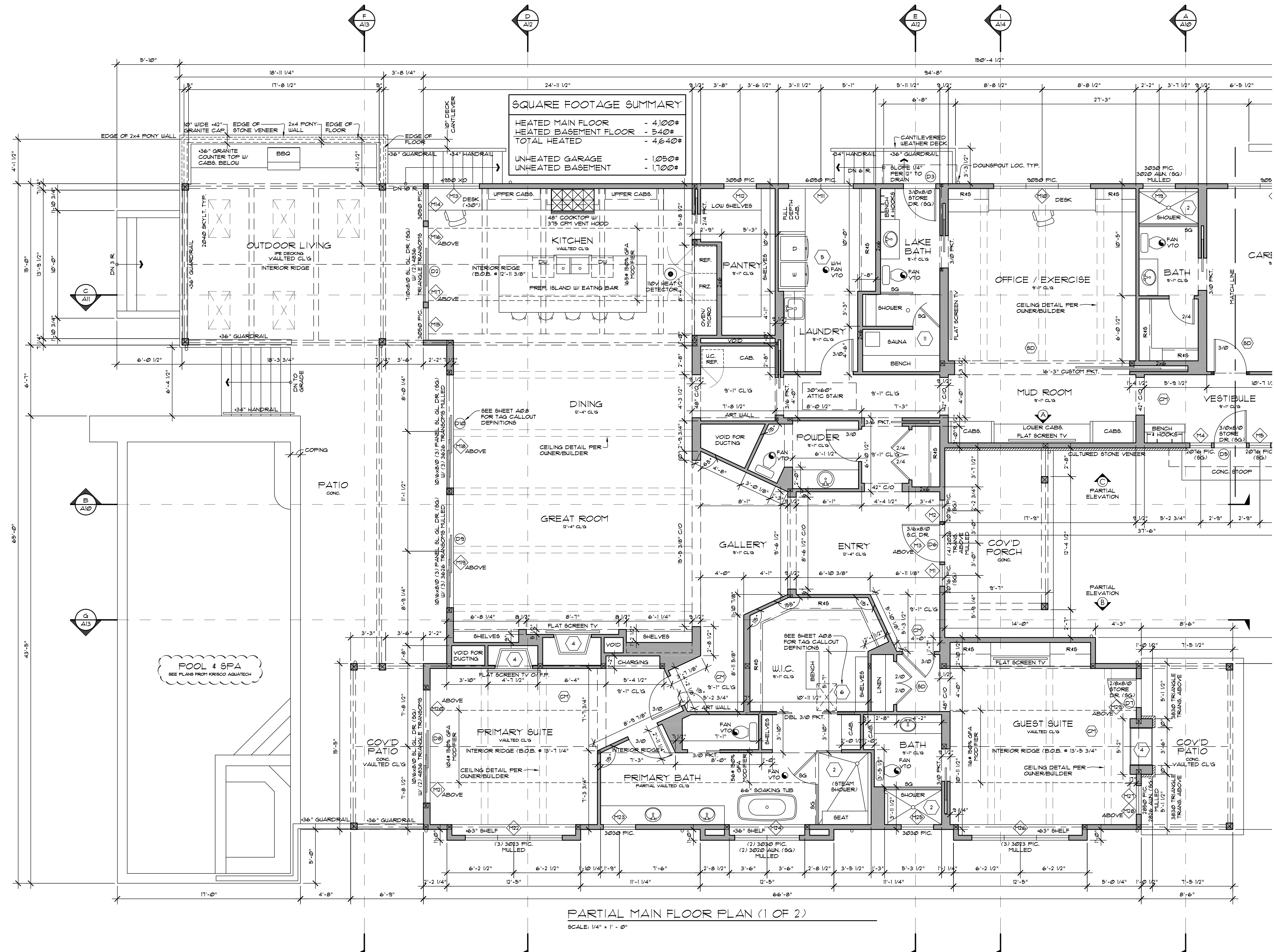
nw  
**lifestyle**  
homes  
www.nwlifestylehomes.com



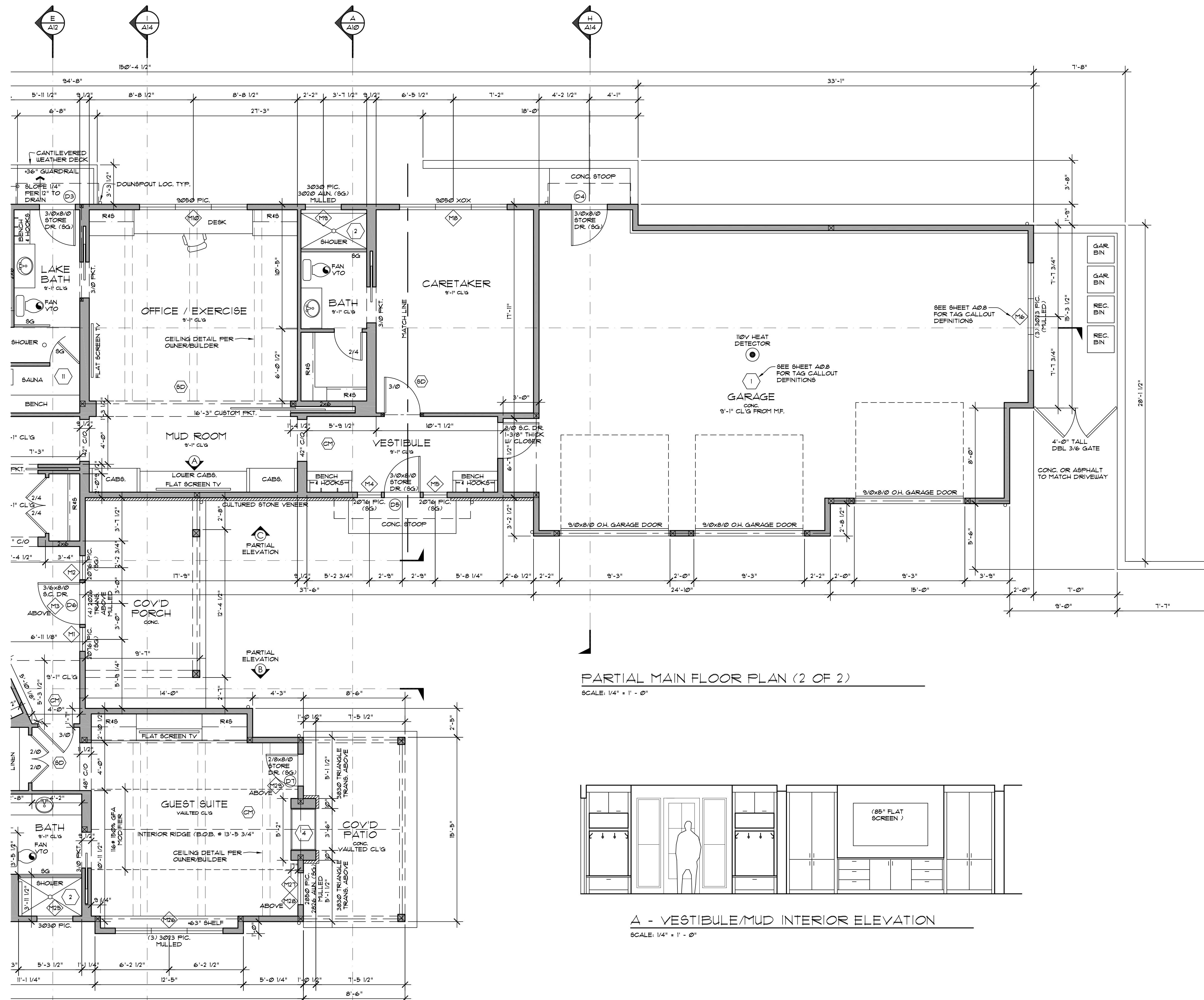
HOUTCHENS RESIDENCE  
6024 SE 22nd ST  
MERCER ISLAND, WA 98040

JOB NO: 20-020  
DATE: 9/01/22  
DRW. BY: MM, MG  
REVISED: 8/29/23

SHEET NO.  
**A5**



PARTIAL MAIN FLOOR PLAN (1 OF 2)  
SCALE: 1/4" = 1' - 0"



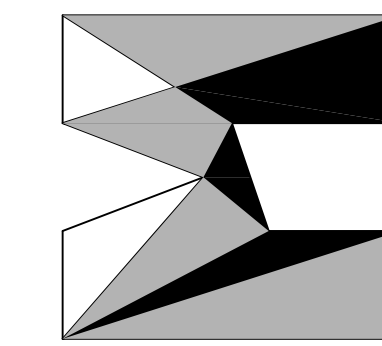
nw **lifestyle** homes  
www.nwlifestylehomes.com

**H**  
**N W**  
**L H**

**HOUTCHENS RESIDENCE**  
6024 SE 22nd ST  
MERCER ISLAND, WA 98040

JOB NO: 20-020  
DATE: 9/01/22  
DRN. BY: MM, MG  
REVISED: 8/26/23

SHEET NO.  
**A6**



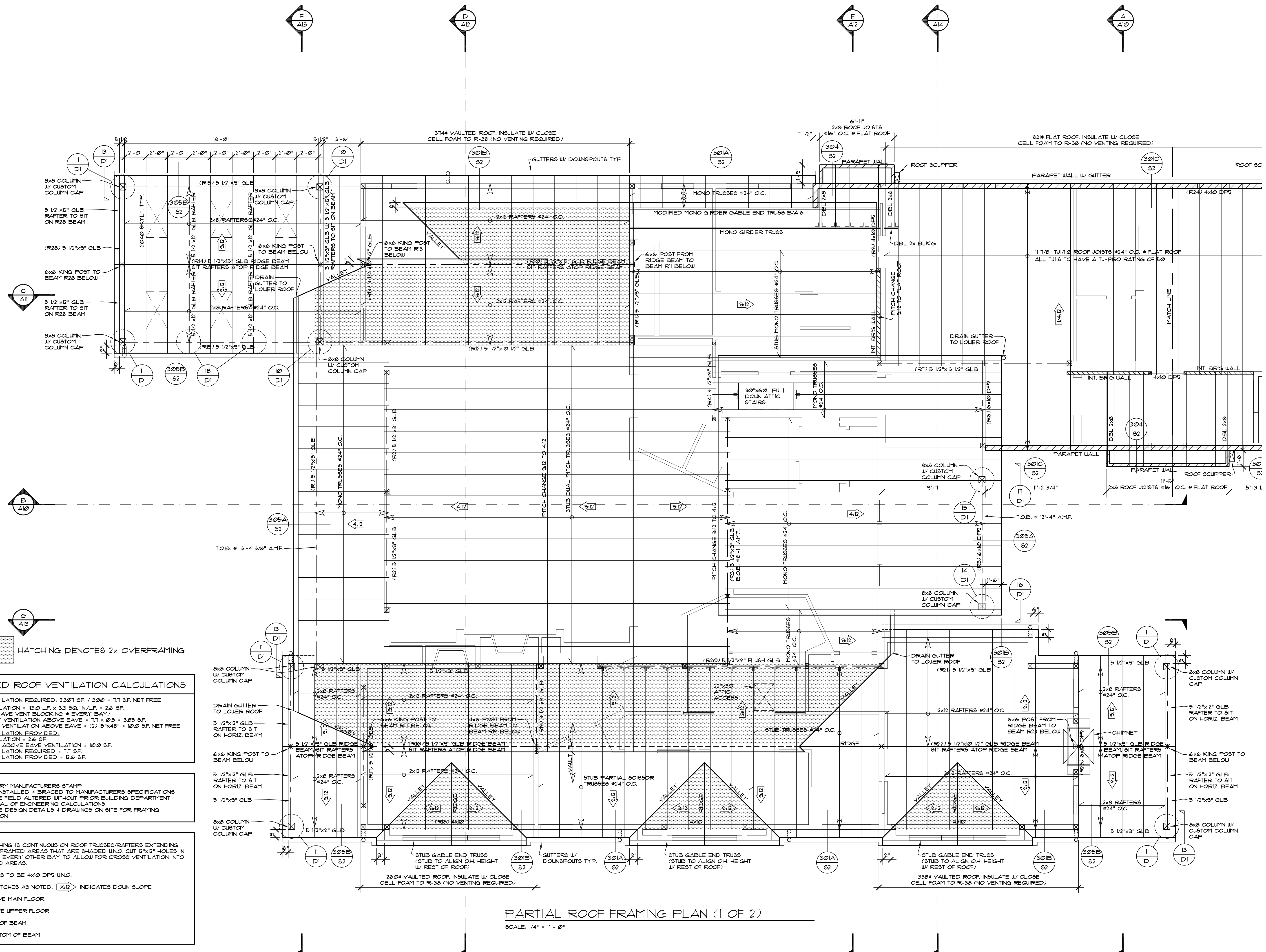
nw  
**lifestyle**  
homes  
www.nwlifestylehomes.com

**N W L H**

HOUTCHENS RESIDENCE  
6024 SE 22nd ST  
MERCER ISLAND, WA 98040

JOB NO: 20-020  
DATE: 9/01/22  
DRW. BY: MM, MG  
REVISED: 1/21/23

SHEET NO.  
**A7**



**PITCHED ROOF VENTILATION CALCULATIONS**

TOTAL VENTILATION REQUIRED: 2,301 SF. / 300 = 1.1 SF. NET FREE  
 EAVE VENTILATION = 19.0 LF. x 3.3 SQ. IN./LF. = 2.6 SF.  
 (PROVIDE EAVE VENT BLOCKING @ EVERY BAY)  
 MIN. 50% BY VENTILATION ABOVE EAVE = 1.1 x 2.5 = 3.05 SF.  
 GABLE END VENTILATION ABOVE EAVE = (2) 15'x48" = 10.0 SF. NET FREE  
 TOTAL VENTILATION PROVIDED:  
 EAVE VENTILATION = 2.6 SF.  
 GABLE END ABOVE EAVE VENTILATION = 10.0 SF.  
 TOTAL VENTILATION REQUIRED = 1.1 SF.  
 TOTAL VENTILATION PROVIDED = 12.6 SF.

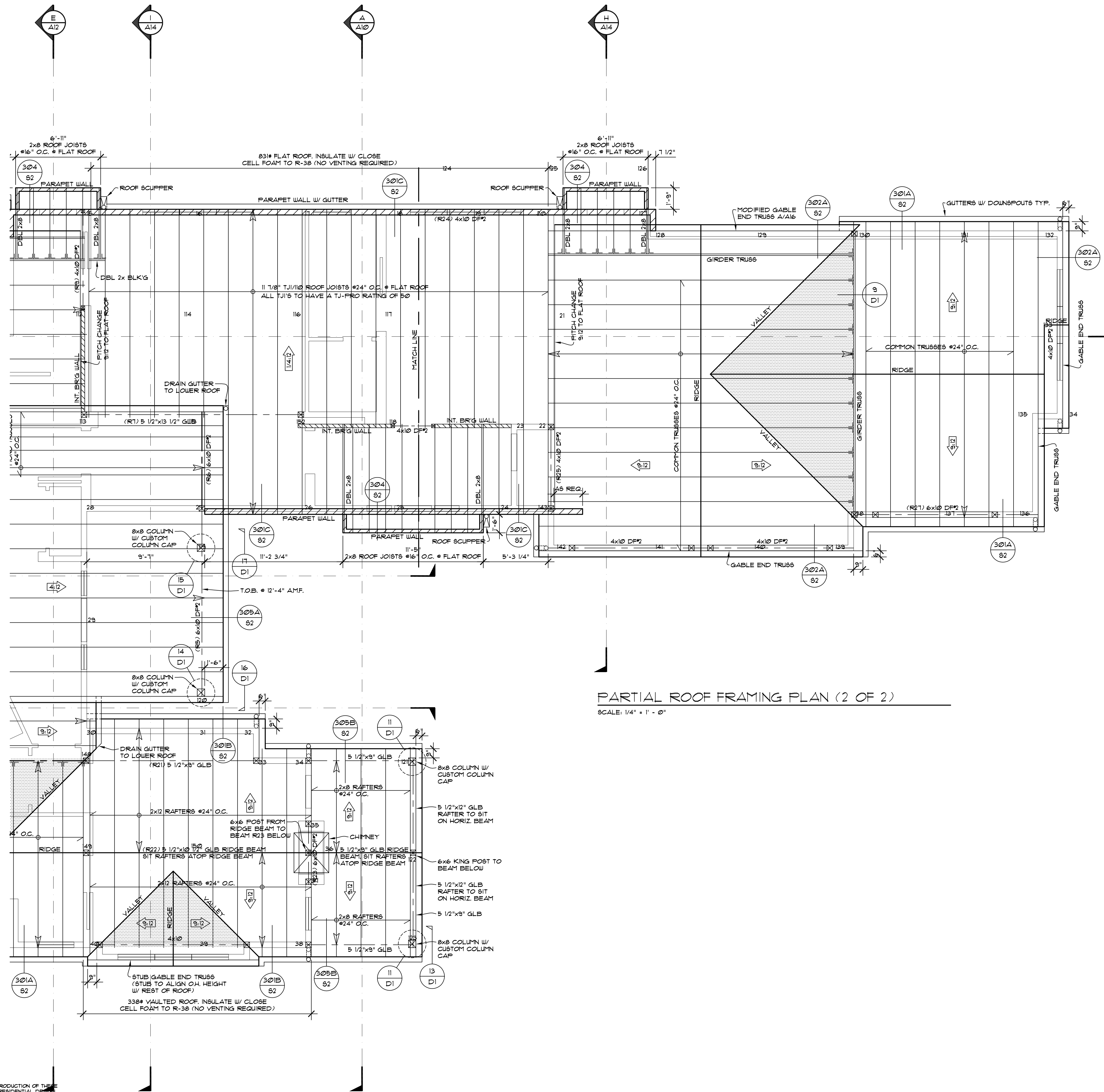
**ALL TRUSSES:**  
 - SHALL CARRY MANUFACTURERS STAMP  
 - SHALL BE INSTALLED & BRACED TO MANUFACTURERS SPECIFICATIONS  
 - WILL NOT BE FIELD ALTERED WITHOUT PRIOR BUILDING DEPARTMENT APPROVAL OF ENGINEERING CALCULATIONS  
 - SHALL HAVE DESIGN DETAILS & DRAWINGS ON SITE FOR FRAMING INSPECTION

**NOTE:**  
 ROOF SHEATHING IS CONTINUOUS ON ROOF TRUSSES/RAFTERS EXTENDING UNDER OVERFRAMED AREAS THAT ARE SHADED UNO. CUT 12"x12" HOLES IN SHEATHING @ EVERY OTHER BAY TO ALLOW FOR CROSS VENTILATION INTO OVERFRAMED AREAS.  
 ALL HEADERS TO BE 4x10 DFP2 UNO.  
 ALL ROOF PITCHES AS NOTED. [X:12] INDICATES DOWN SLOPE  
 AMF. = ABOVE MAIN FLOOR  
 AU.F. = ABOVE UPPER FLOOR  
 T.O.B. = TOP OF BEAM  
 B.O.B. = BOTTOM OF BEAM

**PARTIAL ROOF FRAMING PLAN (1 OF 2)**  
 SCALE: 1/4" = 1' - 0"

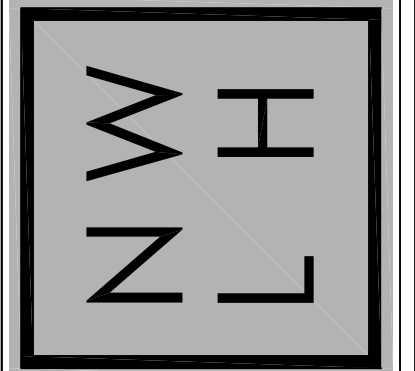
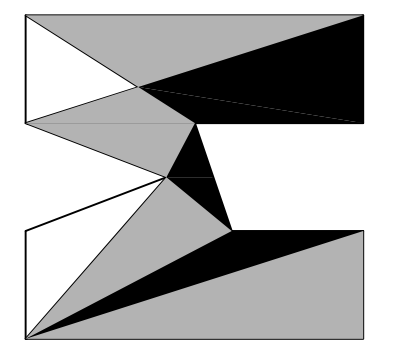
COPYRIGHT 2021 MATTHEW MAWER RESIDENTIAL DESIGN. NO REPRODUCTION OF THESE PLANS WITHOUT WRITTEN AUTHORIZATION FROM MATTHEW MAWER RESIDENTIAL DESIGN.

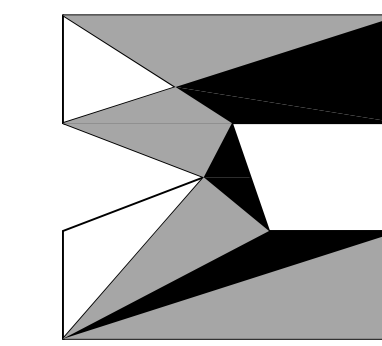




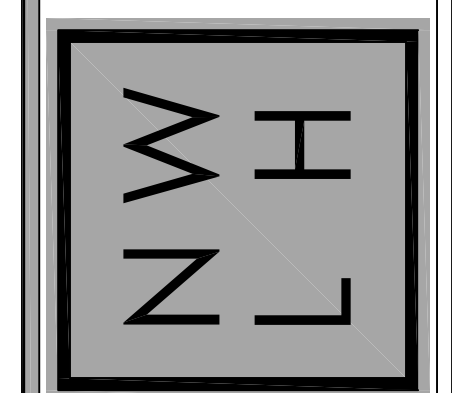
PARTIAL ROOF FRAMING PLAN (2 OF 2)  
SCALE: 1/4" = 1' - 0"

COPYRIGHT 2021 MATTHEW MAWER RESIDENTIAL DESIGN. NO REPRODUCTION OF THESE PLANS WITHOUT WRITTEN AUTHORIZATION FROM MATTHEW MAWER RESIDENTIAL DESIGN.





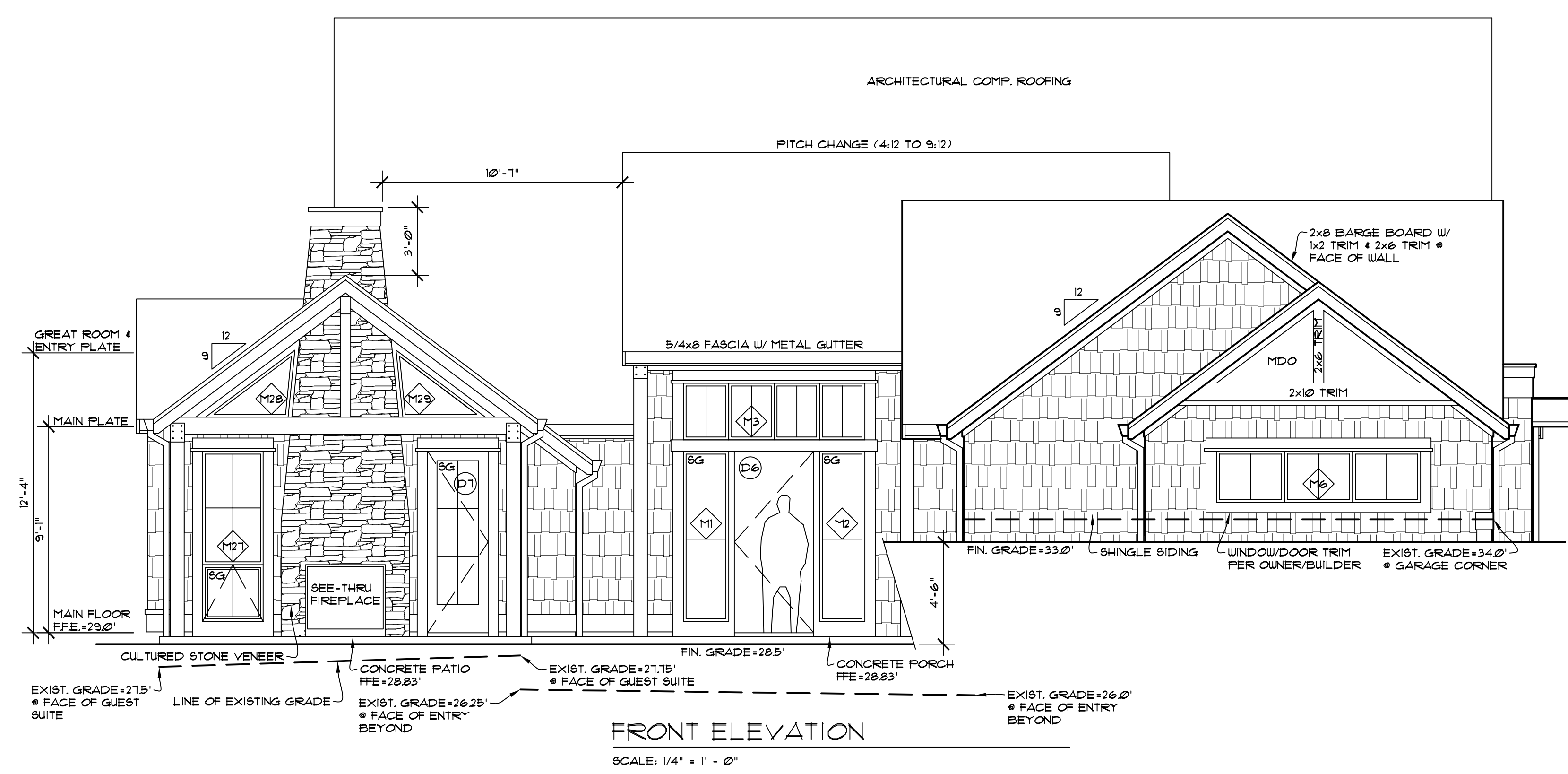
nw lifestyle homes  
www.nwlifestylehomes.com



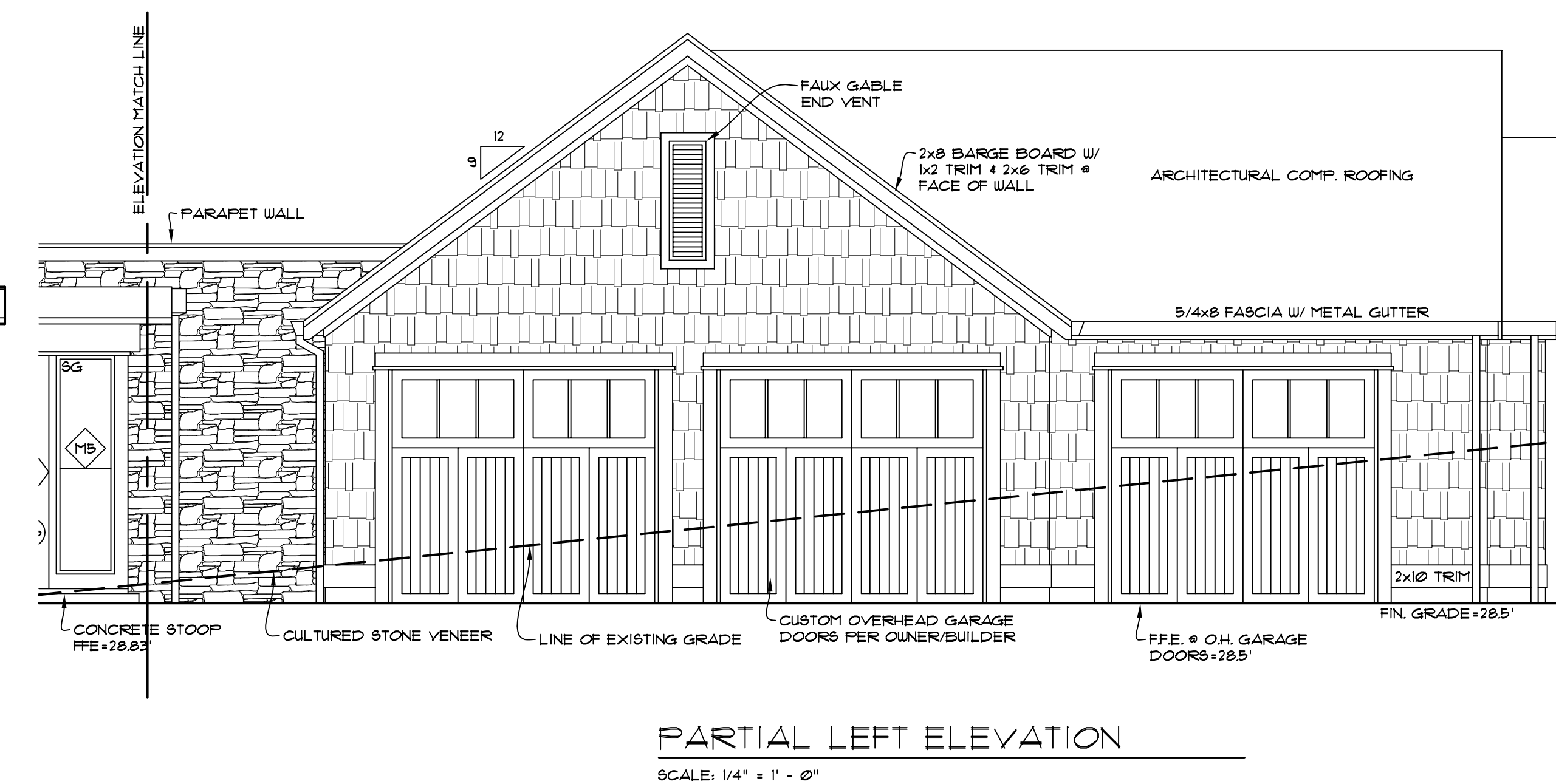
HOUTCHENS RESIDENCE  
6024 SE 22nd ST  
MERCER ISLAND, WA 98040

JOB NO: 20-020  
DATE: 9/01/22  
DRN. BY: MM, MG  
REVISED: 8/29/23

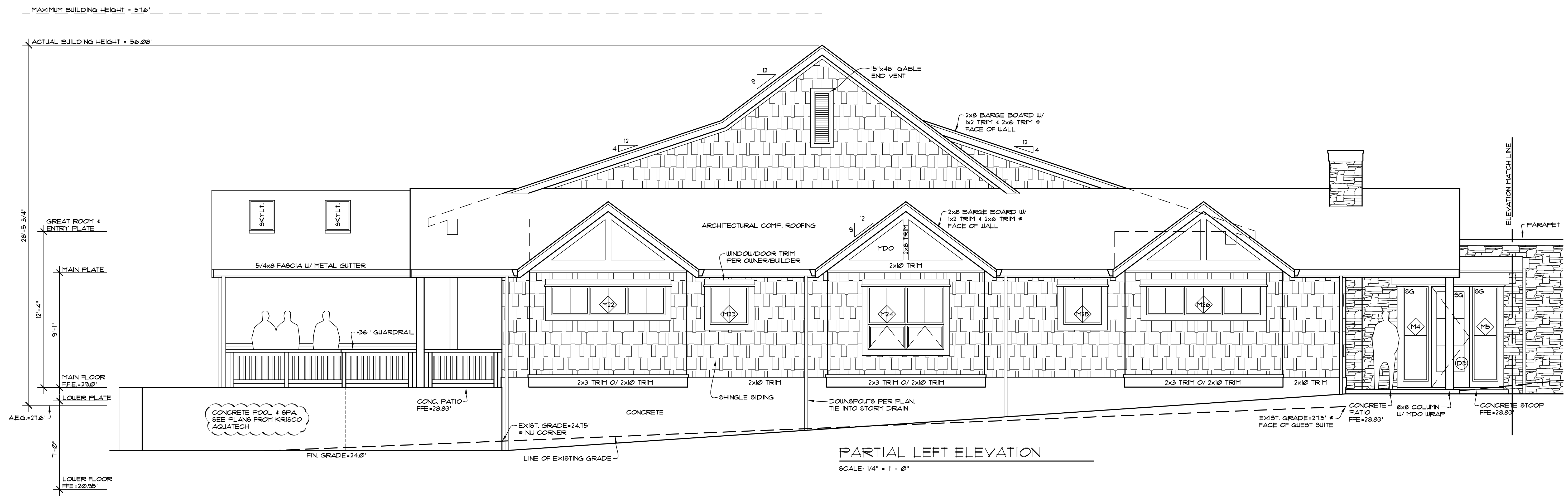
SHEET NO.  
**A9**



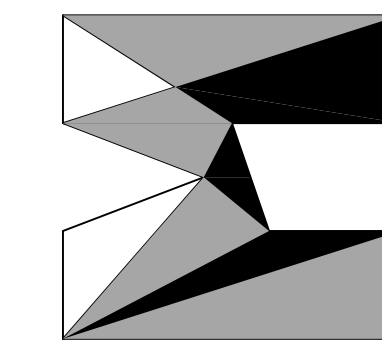
FRONT ELEVATION  
SCALE: 1/4" = 1' - 0"



PARTIAL LEFT ELEVATION  
SCALE: 1/4" = 1' - 0"



PARTIAL LEFT ELEVATION  
SCALE: 1/4" = 1' - 0"

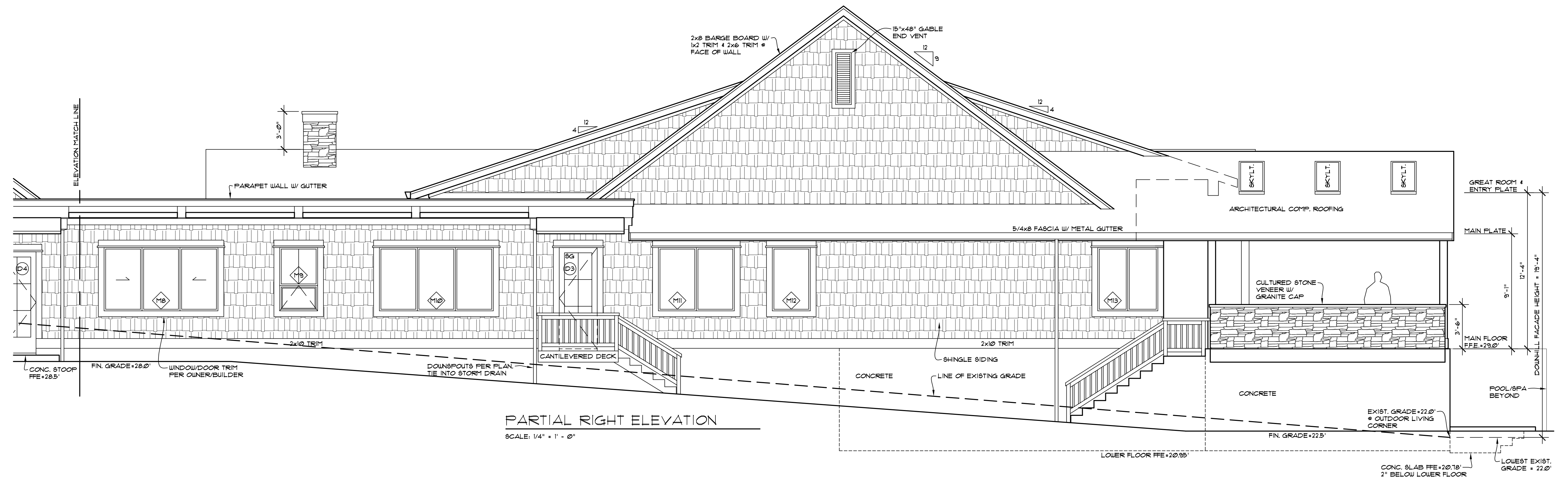
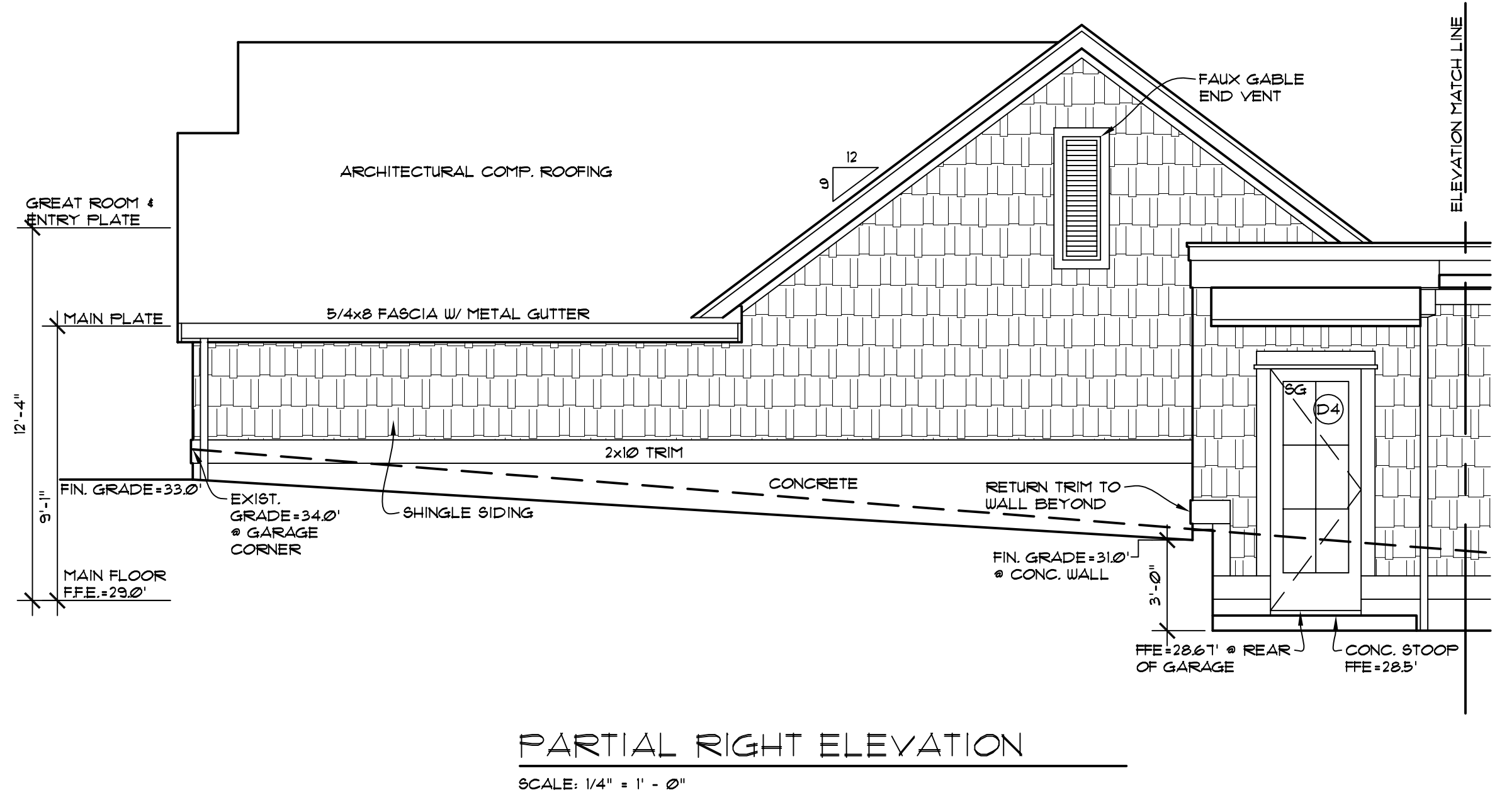
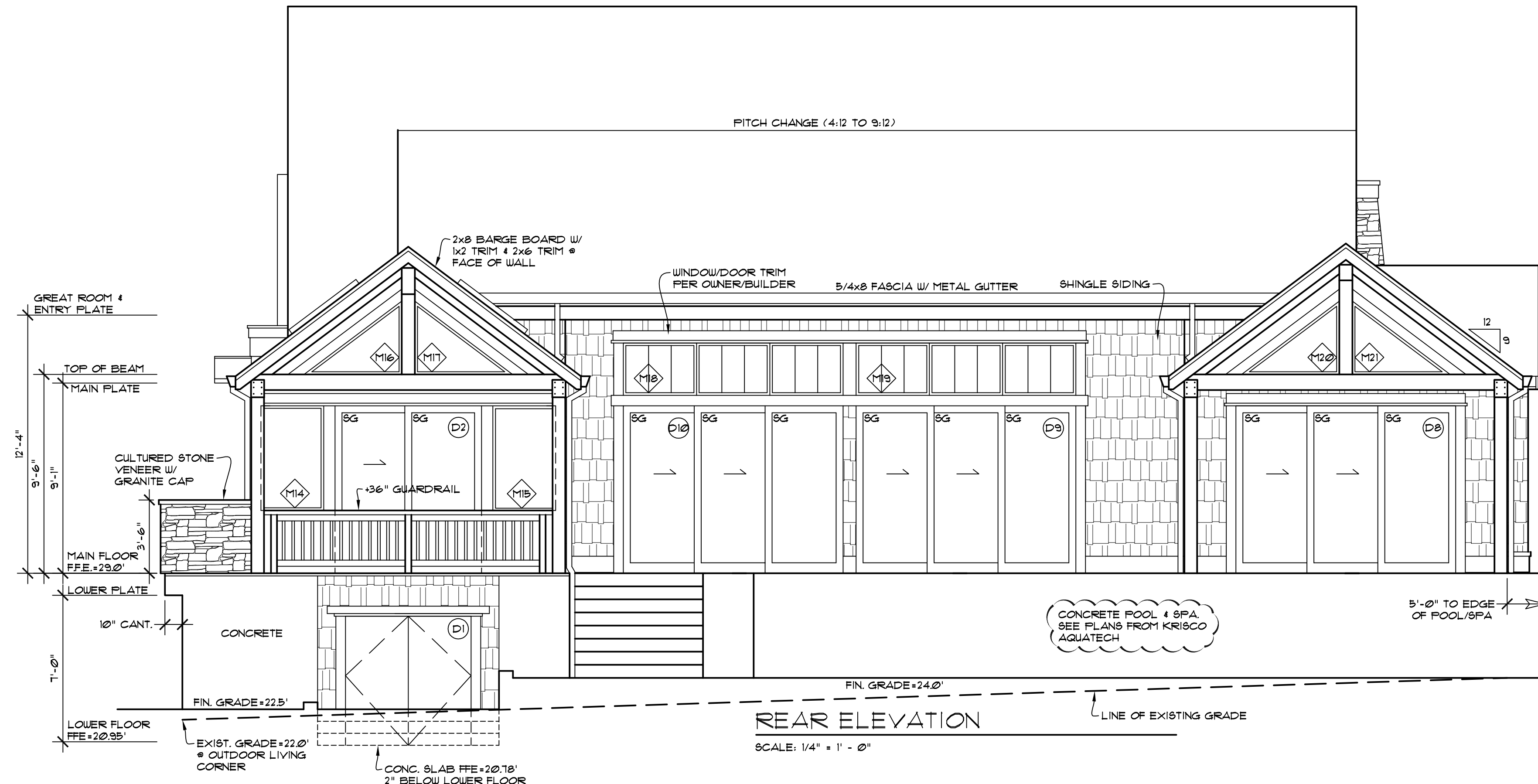


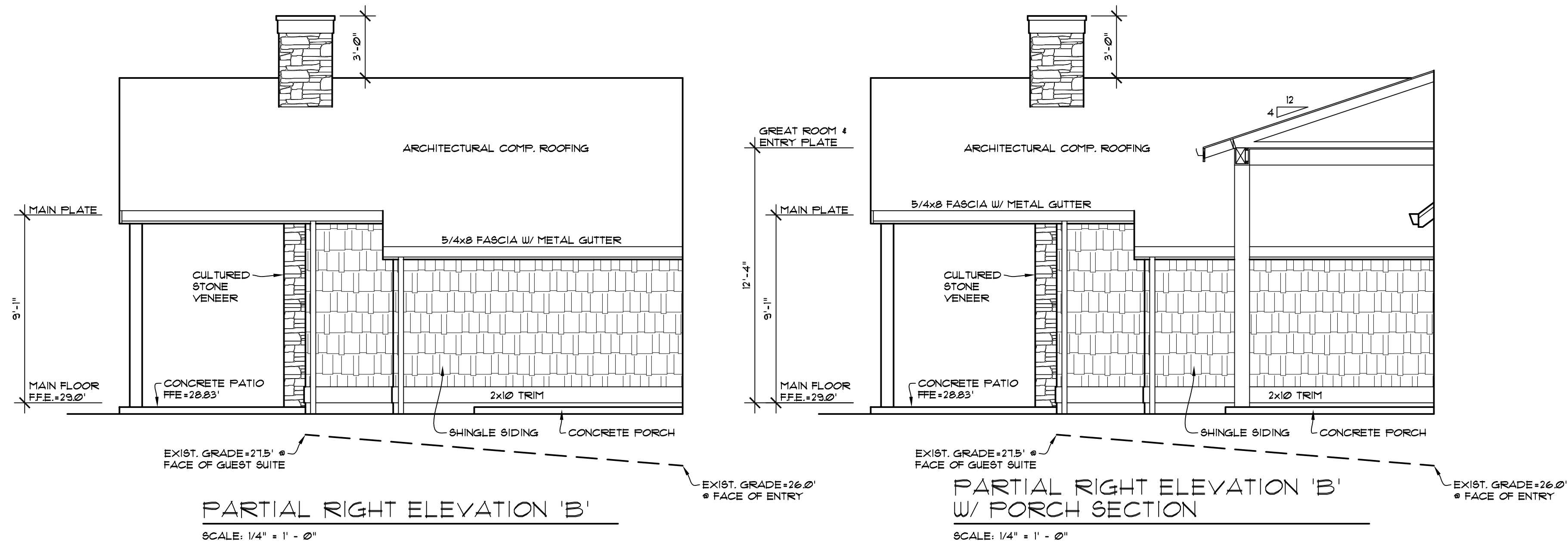
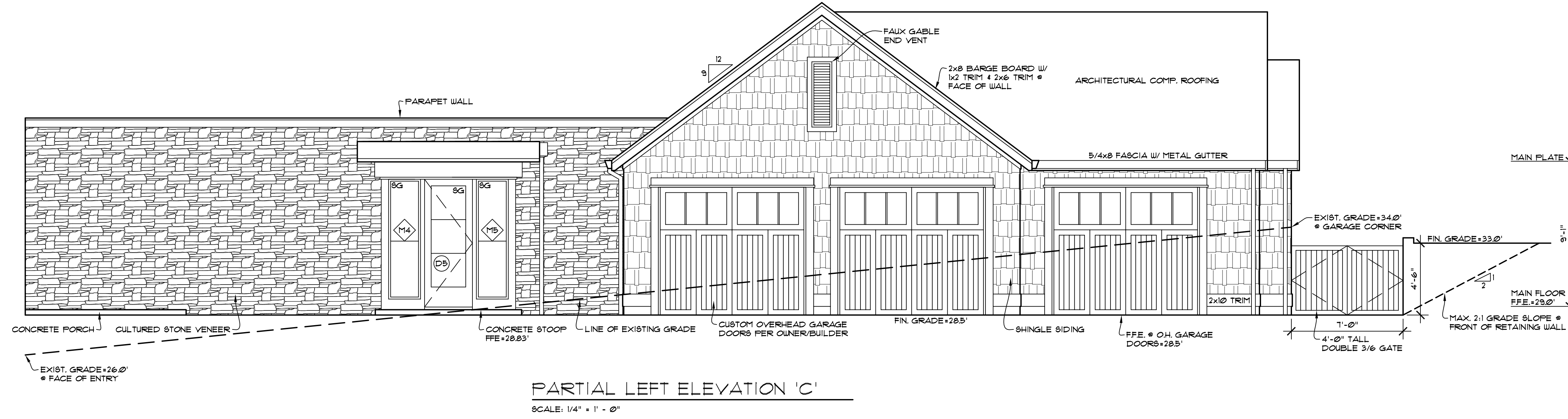
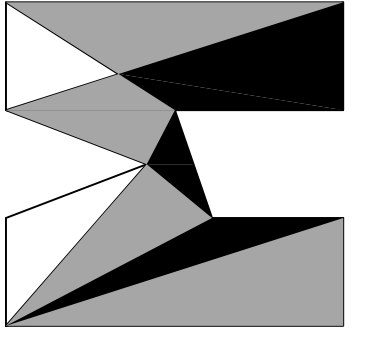
nw lifestyle homes  
www.nwlifestylehomes.com

HOUTCHENS RESIDENCE  
6024 SE 22nd ST  
MERCER ISLAND, WA 98040

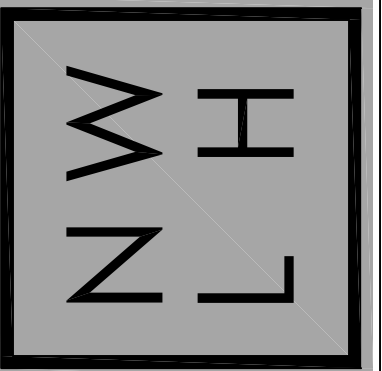
JOB NO: 20-020  
DATE: 9/01/22  
DRW. BY: MM, MG  
REVISED: 8/29/23

SHEET NO.  
**A10**





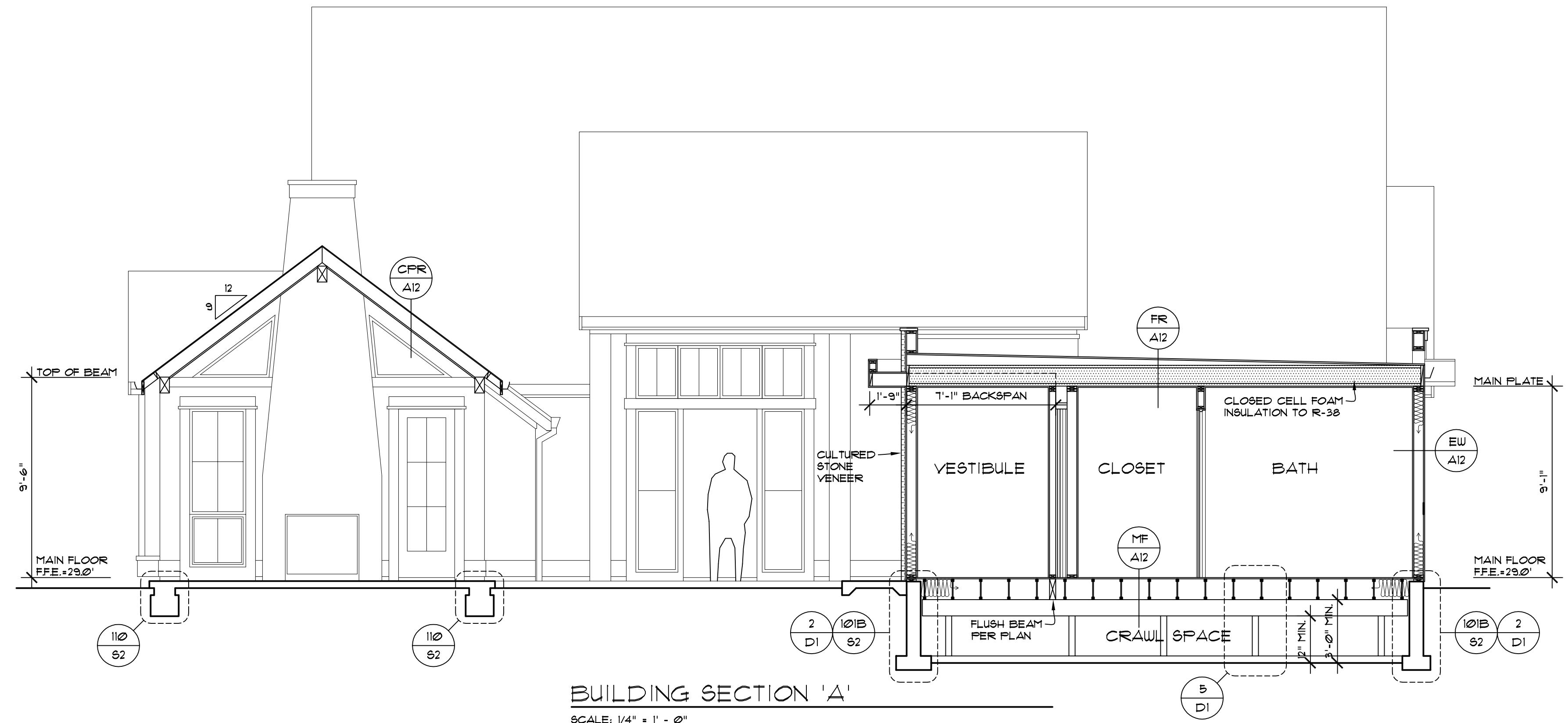
nw  
**lifestyle**  
homes  
www.nwlifestylehomes.com



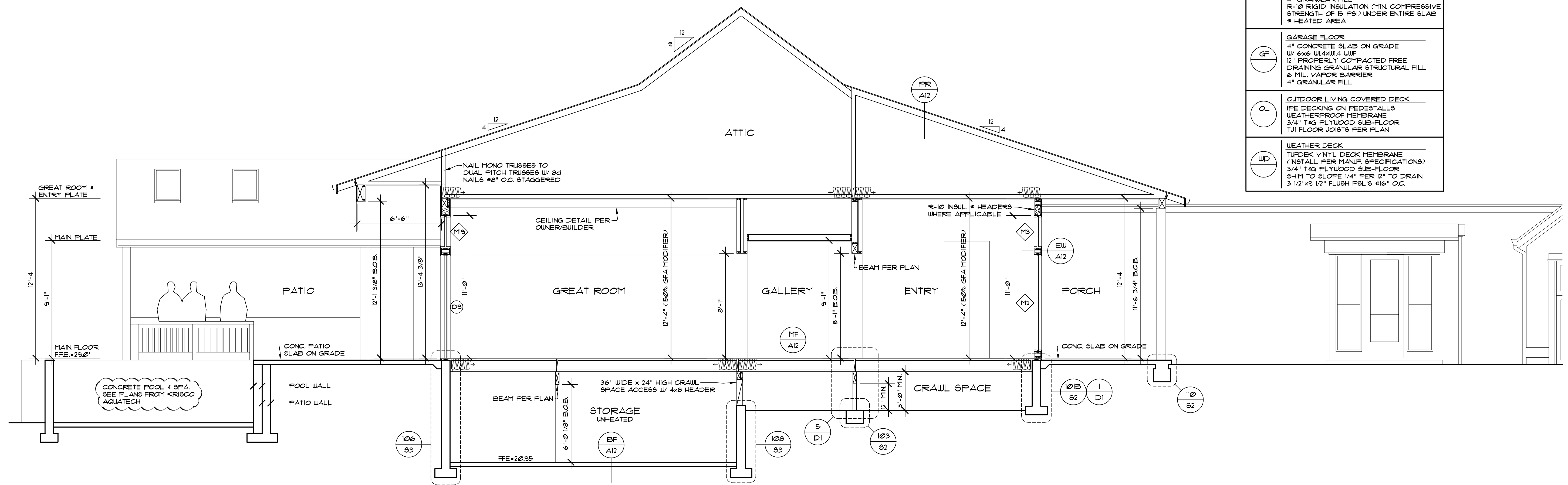
HOUTCHENS RESIDENCE  
6024 SE 22nd ST  
MERCER ISLAND, WA 98040

JOB NO: 20-020  
DATE: 9/01/22  
DRW. BY: MM, MG  
REVISED: 8/29/23

SHEET NO.  
**A11**



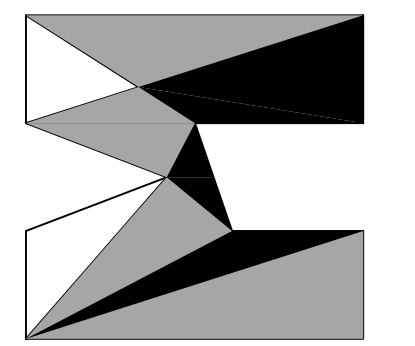
**BUILDING SECTION 'A'**  
SCALE: 1/4" = 1' - 0"



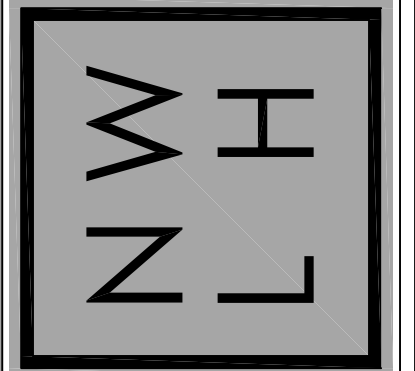
**BUILDING SECTION 'B'**  
SCALE: 1/4" = 1' - 0"

FR	<p><b>FLAT ROOF</b> CARLISLE STYNETC SURE-TOUGH 60 MIL. POLYESTER-REINFORCED EPDM ROOF MEMBRANE SHEATHING PER STRUCTURAL ENGINEER 2x SHIM TO SLOPE 1/4" / 12" TO DRAIN TJI ROOF JOISTS PER PLAN R-38 INSUL. @ SINGLE RAFTER ROOF 4 MIL. UV. POLY. 5/8" TYPE 'X' GWB (FIRE CODE)</p>
FR	<p><b>FITCHED ROOF</b> ROOFING PER ELEVATIONS 30# BUILDING PAPER SHEATHING PER STRUCTURAL ENGINEER TRUSSES OR 2x RAFTERS PER PLAN R-49 BATT. INSUL. @ TRUSSED ROOF R-38 BATT. INSUL. OR R-38 CLOSED CELL FOAM INSUL. @ SINGLE RAFTER ROOF 4 MIL. UV. POLY. 5/8" TYPE 'X' GWB (FIRE CODE)</p>
CFR	<p><b>COVERED PATIO ROOF</b> ROOFING PER ELEVATION 30# BUILDING PAPER SHEATHING PER STRUCTURAL ENGINEER 2x8 RAFTERS @ 24" O.C. 1/8" TAG CEILING SHEATHING OR EQ.</p>
EW	<p><b>EXTERIOR CONDITIONED WALL</b> 5/8" TYPE 'X' GWB (FIRE CODE) R-21 BATT INSULATION 4 MIL UV RES. POLY. 2x6 STUDS @ 16" O.C. SHEATHING PER SHEAR WALL SCHED. BUILDING PAPER SIDING PER ELEVATIONS</p>
GW	<p><b>EXTERIOR GARAGE WALL</b> 5/8" TYPE 'X' GWB (FIRE CODE) 4 MIL UV RES. POLY. 2x6 STUDS @ 16" O.C. SHEATHING PER SHEAR WALL SCHED. BUILDING PAPER SIDING PER ELEVATIONS</p>
DG	<p><b>DWELLING TO GARAGE WALL</b> 5/8" TYPE 'X' GWB (FIRE CODE) 4 MIL UV RES. POLY. 2x6 STUDS @ 16" O.C. R-21 BATT INSULATION 5/8" TYPE 'X' GWB (FIRE CODE)</p>
BW	<p><b>BASEMENT WALL (* HEATED AREA)</b> RETAINING WALL PER PLAN 1/2" AIRSPACE 2x6 STUDS @ 16" O.C. R-21 BATT INSULATION 5/8" TYPE 'X' GWB (FIRE CODE)</p>
MF	<p><b>MAIN FLOOR</b> FINISH FLOOR 1/2" UL. FLY @ VINYL 5/8" UL. FLY @ VINYL TO HARDWOOD 3/4" TAG PLYWOOD SUB-FLOOR (GLUE &amp; NAIL) TJI FLOOR JOISTS PER PLAN R-38 BATT. INSULATION @ AREAS OVER UNHEATED SPACE PER ENERGY CREDIT 13 5/8" TYPE 'X' GWB (FIRE CODE)</p>
BF	<p><b>BASEMENT FLOOR</b> 4" CONCRETE SLAB ON GRADE W/ 6x6 W4x14 WUF 12" PROPERLY COMPACTED FREE DRAINING GRANULAR STRUCTURAL FILL 6 MIL. VAPOR BARRIER 4" GRANULAR FILL R-10 RIGID INSULATION (MIN. COMPRESSIVE STRENGTH OF 15 PSI) UNDER ENTIRE SLAB @ HEATED AREA</p>
GF	<p><b>GARAGE FLOOR</b> 4" CONCRETE SLAB ON GRADE W/ 6x6 W4x14 WUF 12" PROPERLY COMPACTED FREE DRAINING GRANULAR STRUCTURAL FILL 6 MIL. VAPOR BARRIER 4" GRANULAR FILL</p>
OL	<p><b>OUTDOOR LIVING COVERED DECK</b> IPE DECKING ON PEDESTALS WEATHERPROOF MEMBRANE 3/4" TAG PLYWOOD SUB-FLOOR TJI FLOOR JOISTS PER PLAN</p>
WD	<p><b>WEATHER DECK</b> TUFEK VINYL DECK MEMBRANE (INSTALL PER MANUF. SPECIFICATIONS) 3/4" TAG PLYWOOD SUB-FLOOR SHIM TO SLOPE 1/4" PER 12" TO DRAIN 3 1/2"x5 1/2" FLUSH PSL'S @ 16" O.C.</p>

matthew mawer  
residential design  
matt@mawer.net  
425.417.7817



nw  
**lifestyle**  
homes  
www.nwlifestylehomes.com

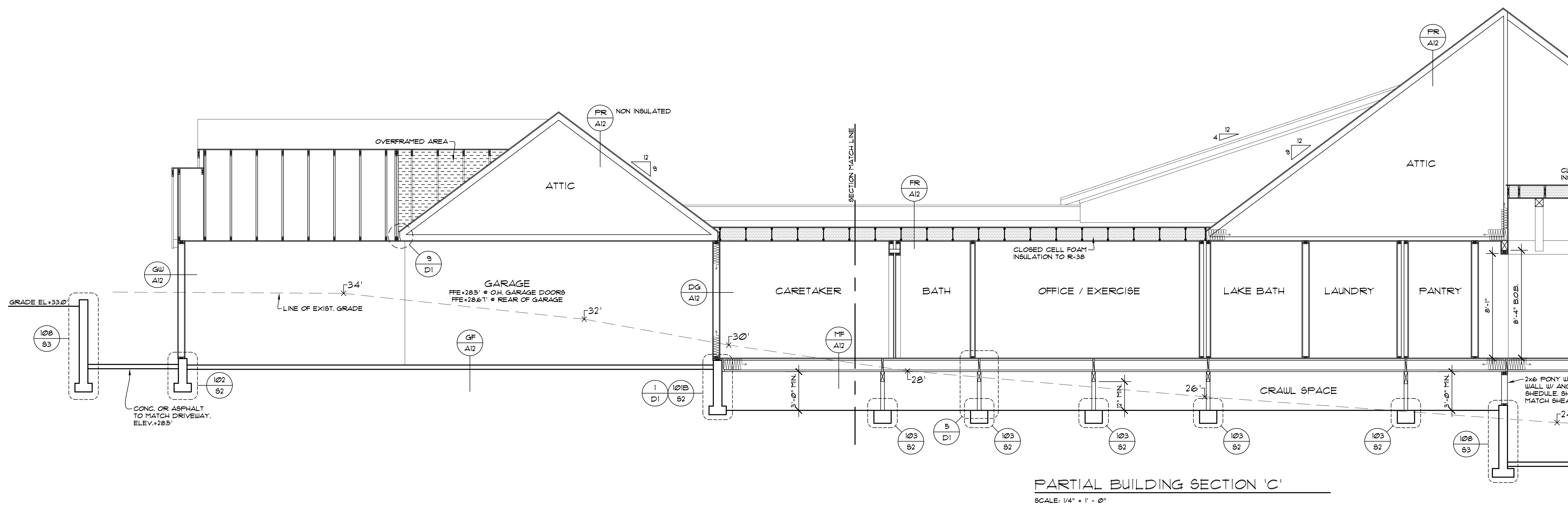
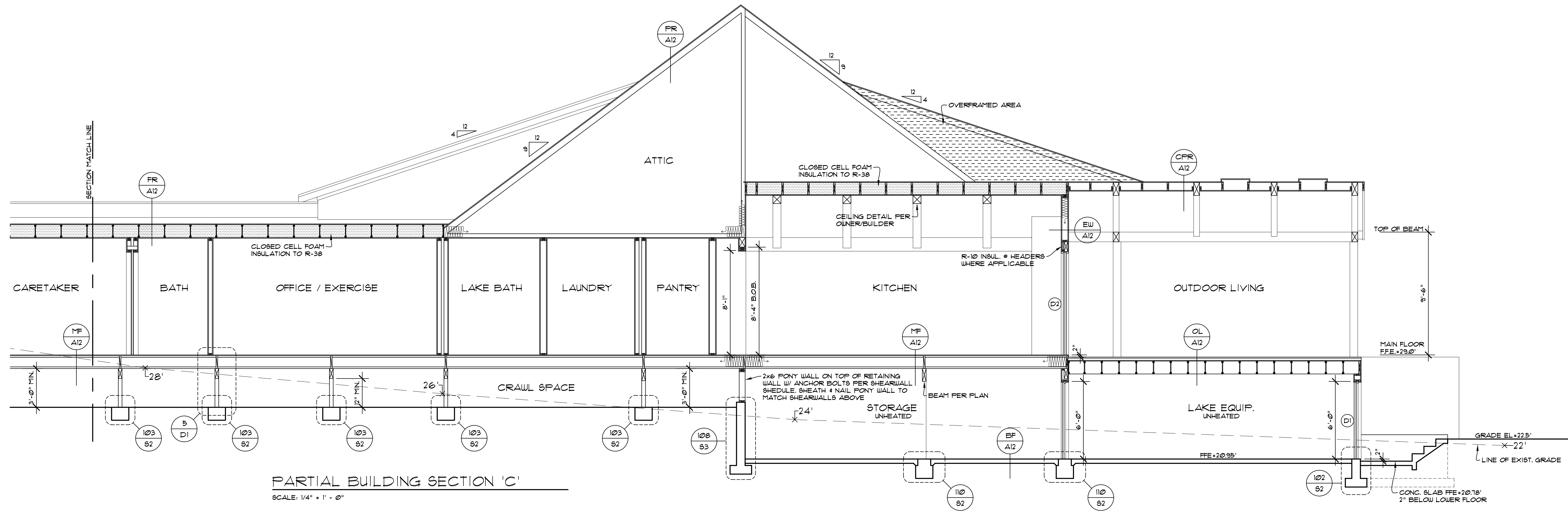
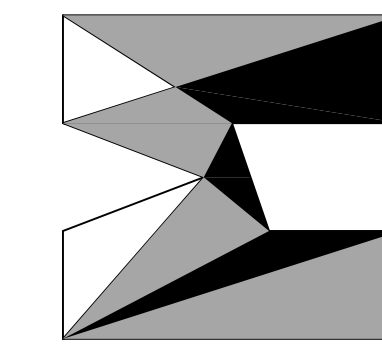


HOUTCHENS RESIDENCE  
6024 SE 22nd ST  
MERCER ISLAND, WA 98040

JOB NO: 20-020  
DATE: 9/22/01  
DRW. BY: MM, MG  
REVISED: 8/29/23

SHEET NO.  
**A12**

COPYRIGHT 2021 MATTHEW MAWER RESIDENTIAL DESIGN. NO REPRODUCTION OF THESE PLANS WITHOUT WRITTEN AUTHORIZATION FROM MATTHEW MAWER RESIDENTIAL DESIGN.



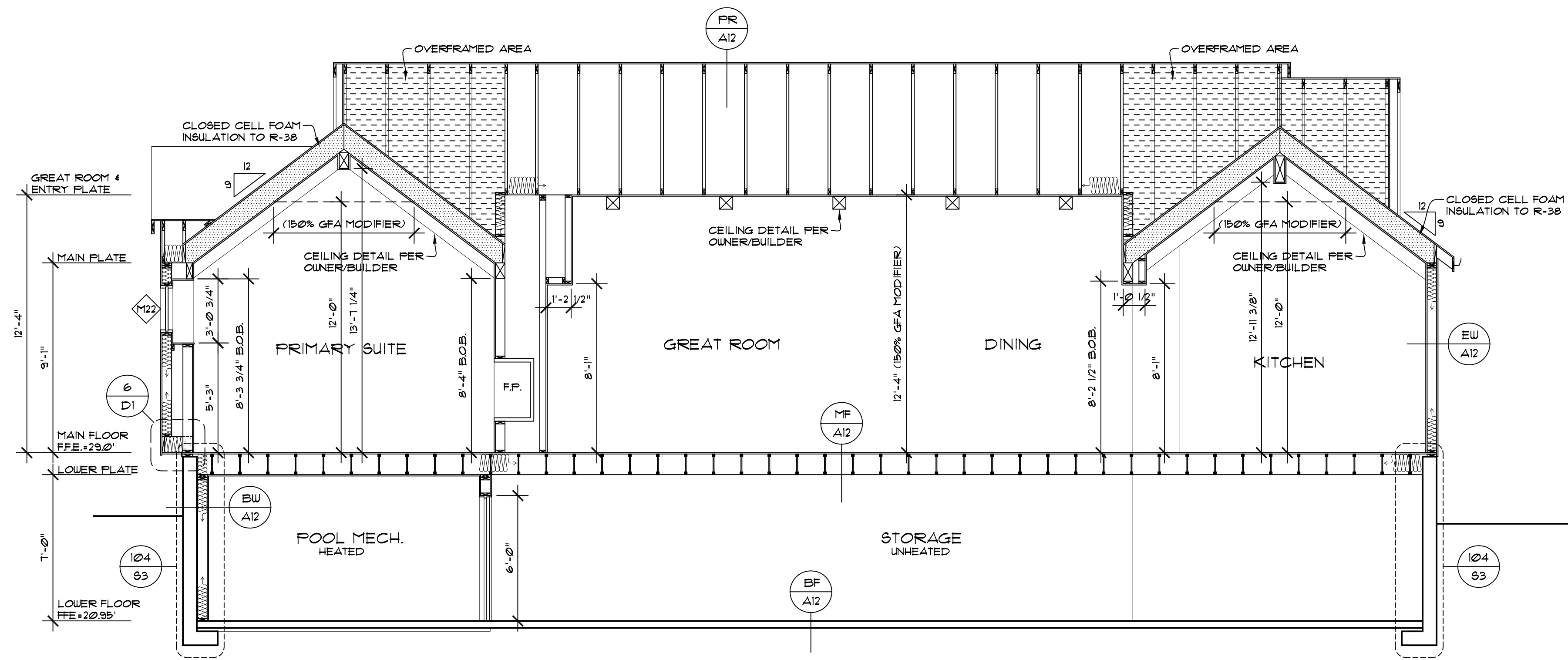
nw **lifestyle** homes  
www.nwlifestylehomes.com

**N W L H**

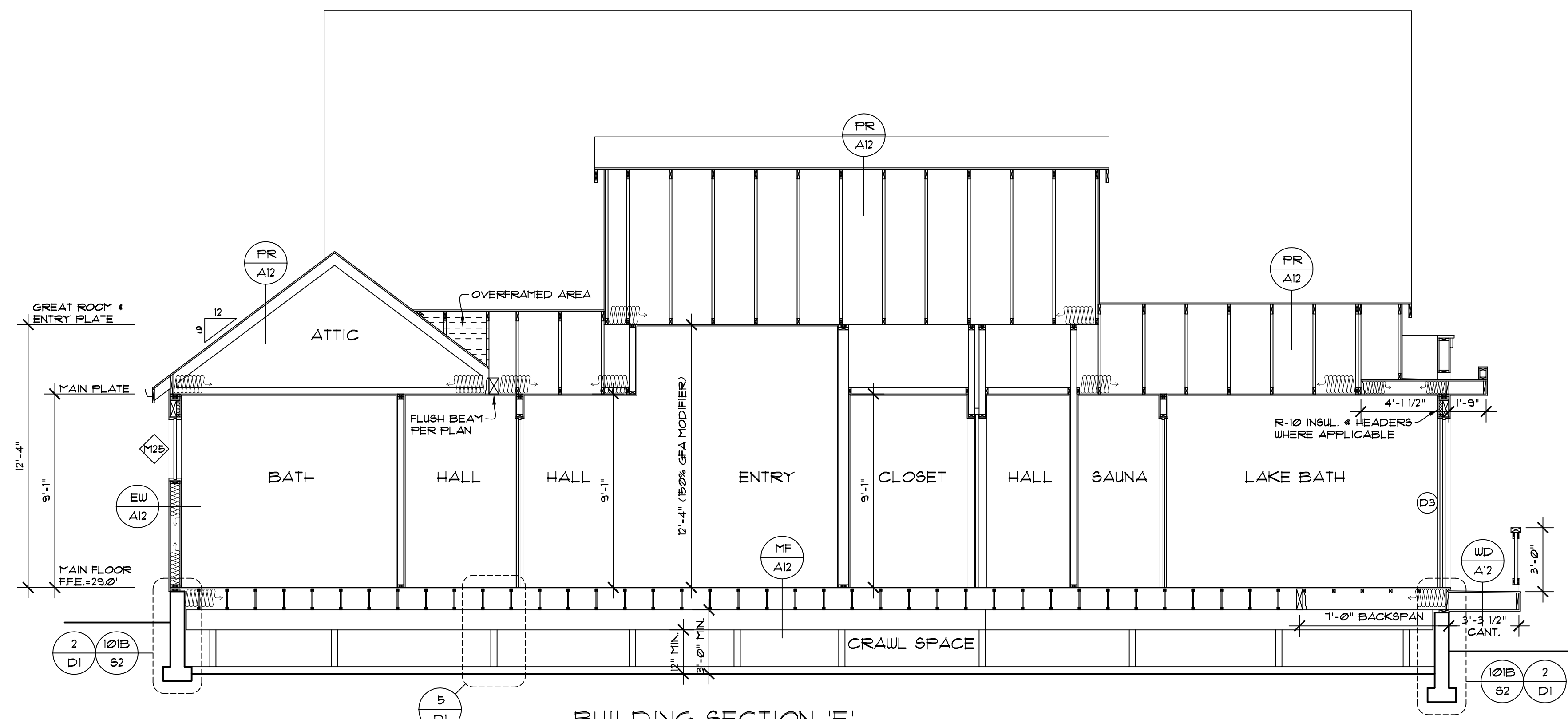
**HOUTCHENS RESIDENCE**  
6024 SE 22nd ST  
MERCER ISLAND, WA 98040

JOB NO: 20-020  
DATE: 9/01/22  
DRW. BY: MM, MG  
REVISED: 8/29/23

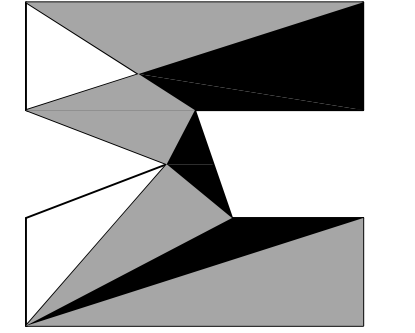
SHEET NO.  
**A13**



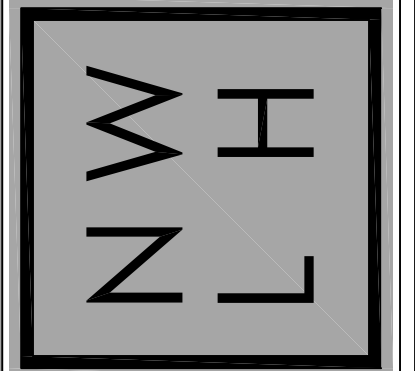
BUILDING SECTION 'D'  
SCALE: 1/4" = 1' - 0"



BUILDING SECTION 'E'  
SCALE: 1/4" = 1' - 0"



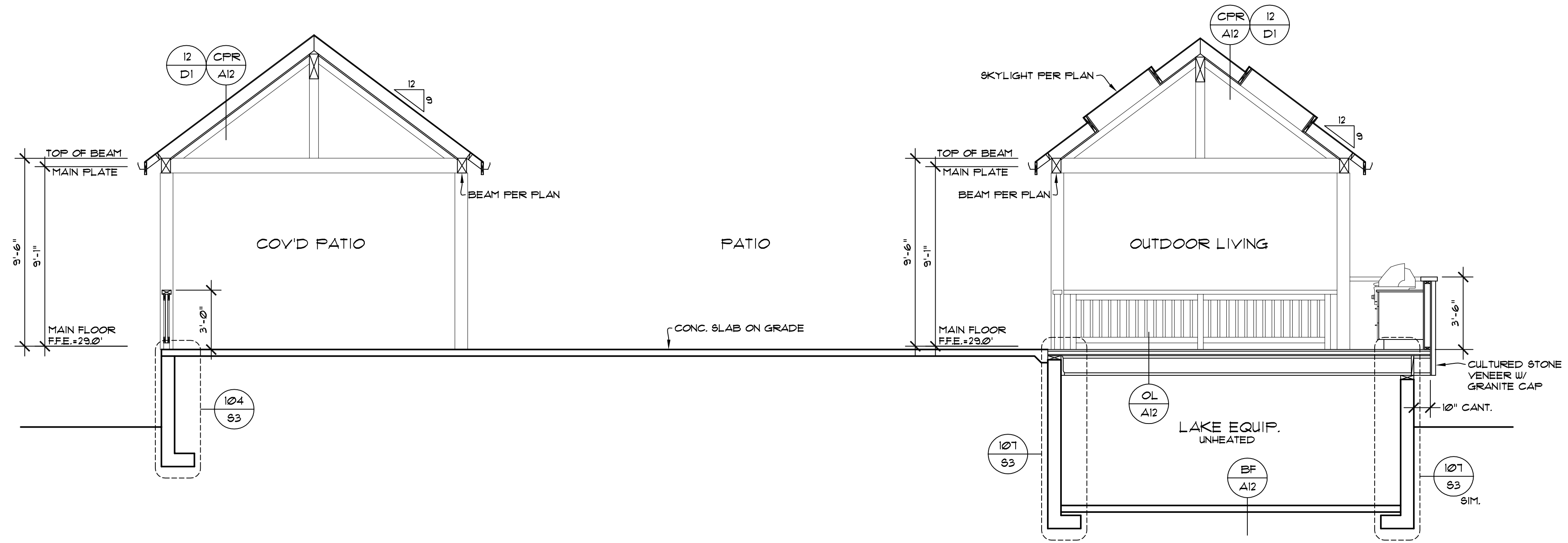
nw  
**lifestyle**  
homes  
www.nwlifestylehomes.com



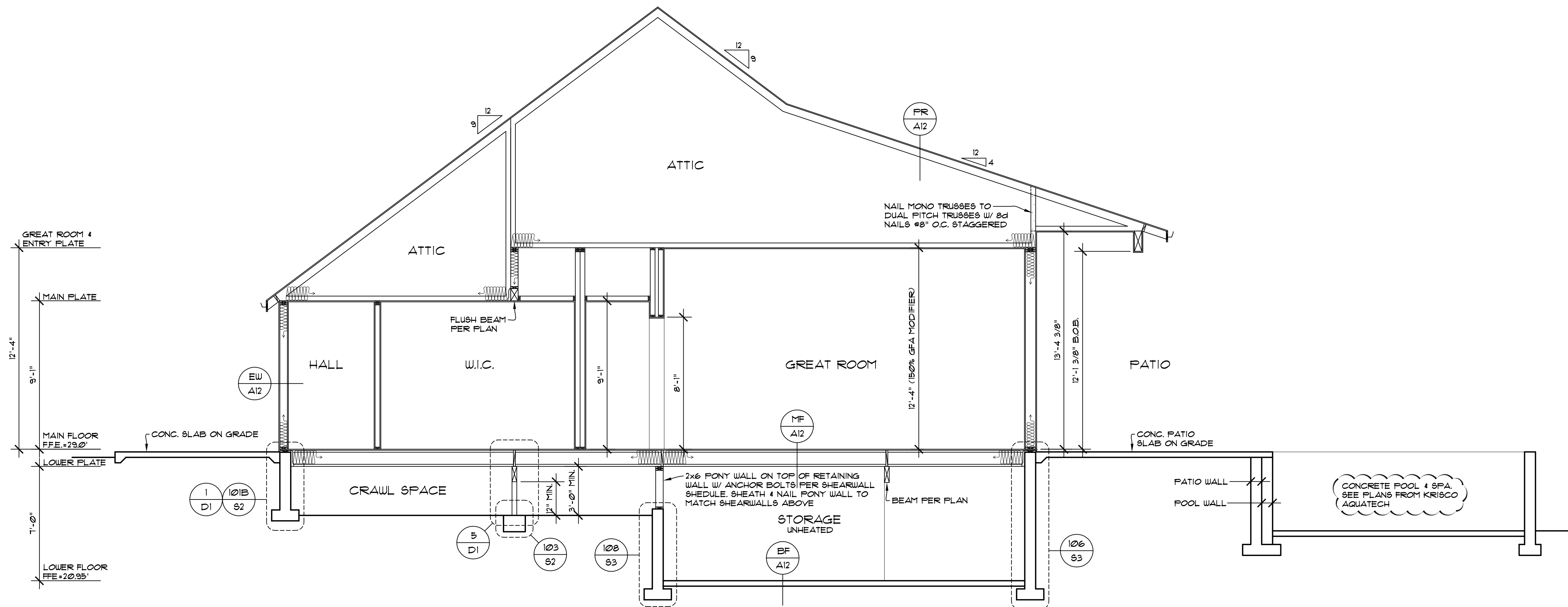
HOUTCHENS RESIDENCE  
6024 SE 22nd ST  
MERCER ISLAND, WA 98040

JOB NO: 20-020  
DATE: 9/01/22  
DRWN. BY: MM, MG  
REVISED: 2/14/23

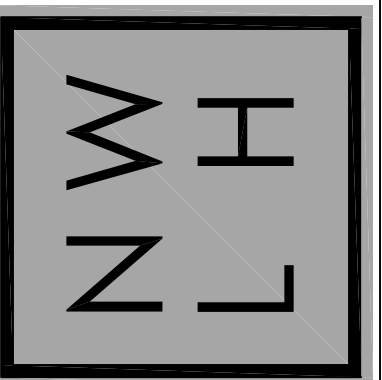
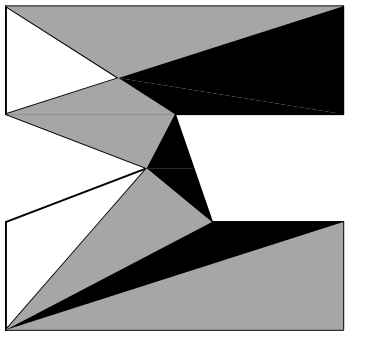
SHEET NO.  
**A14**



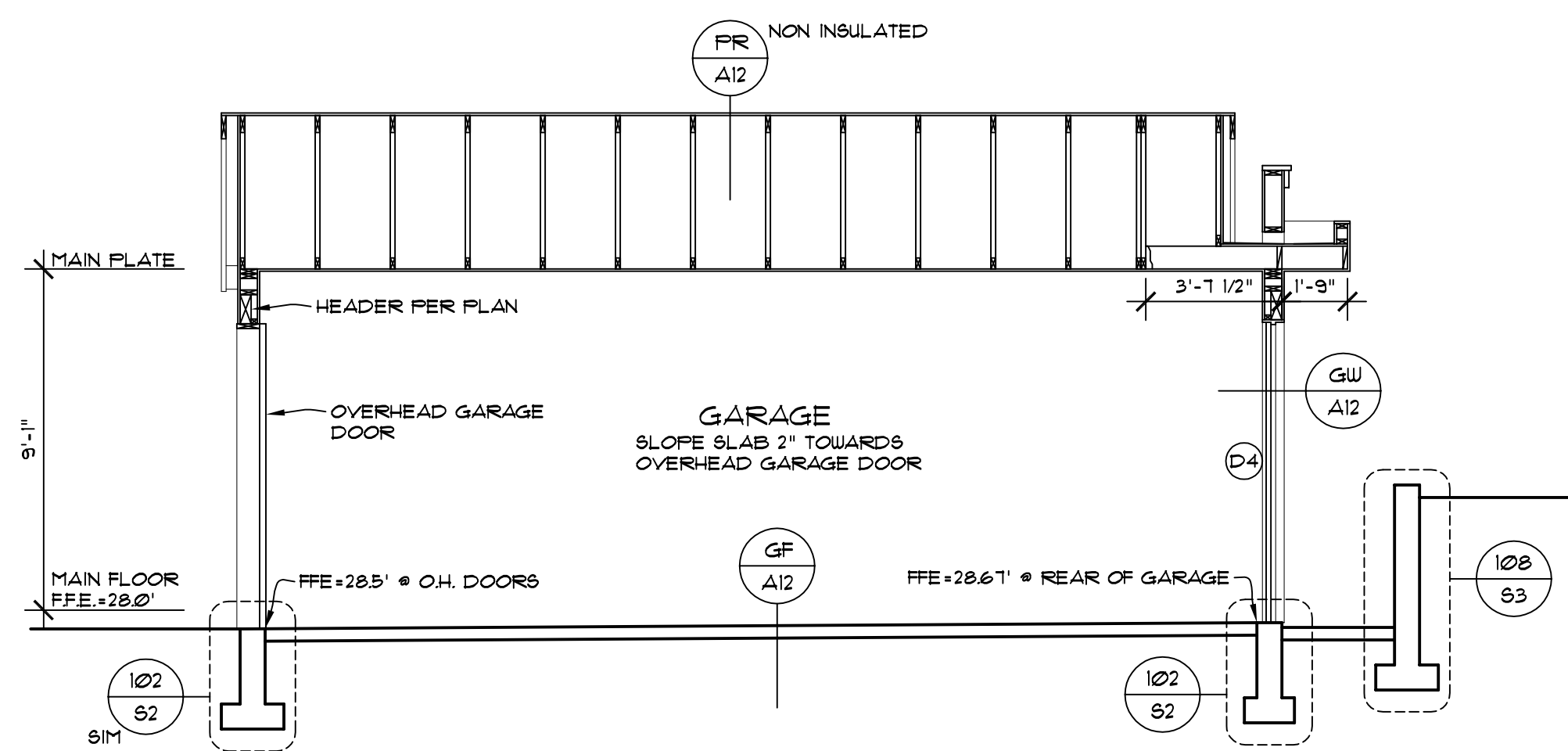
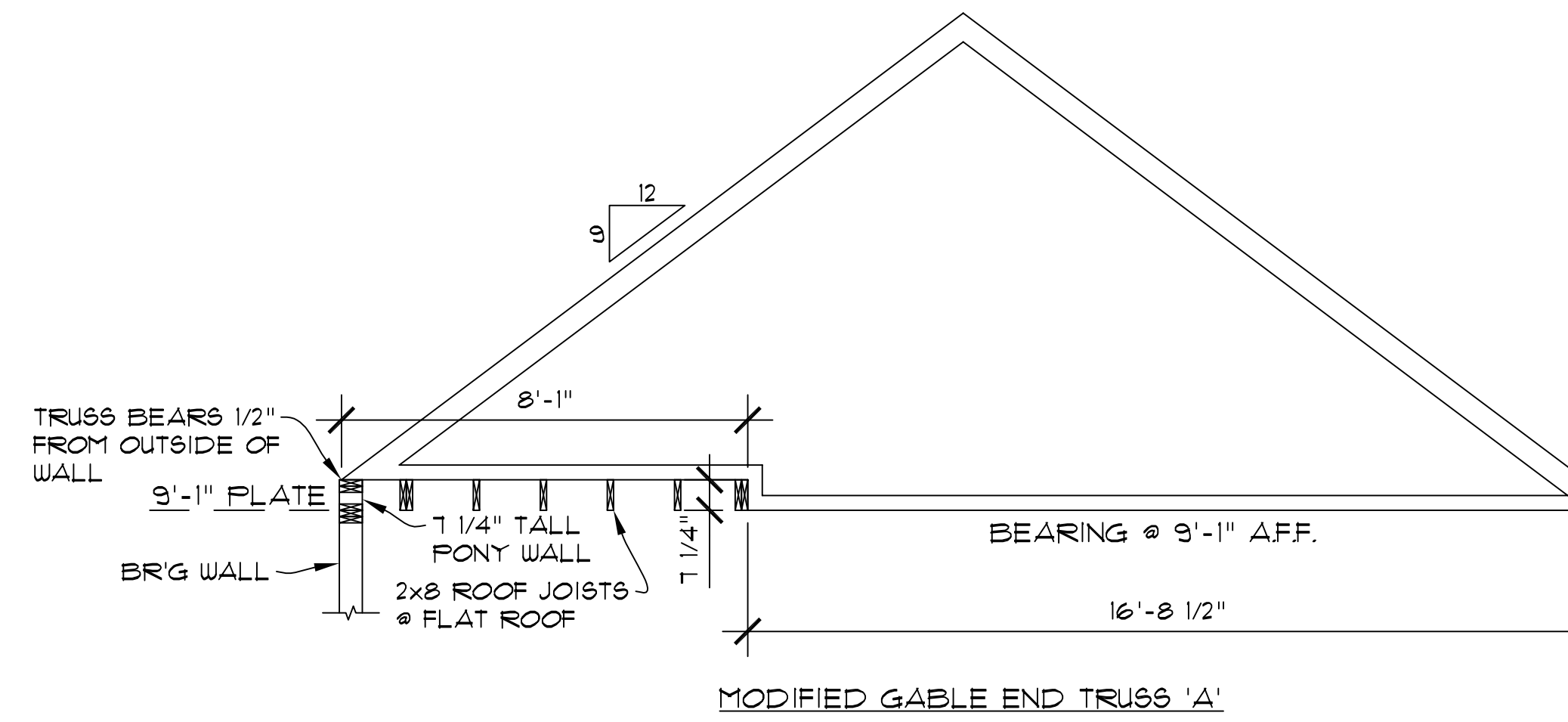
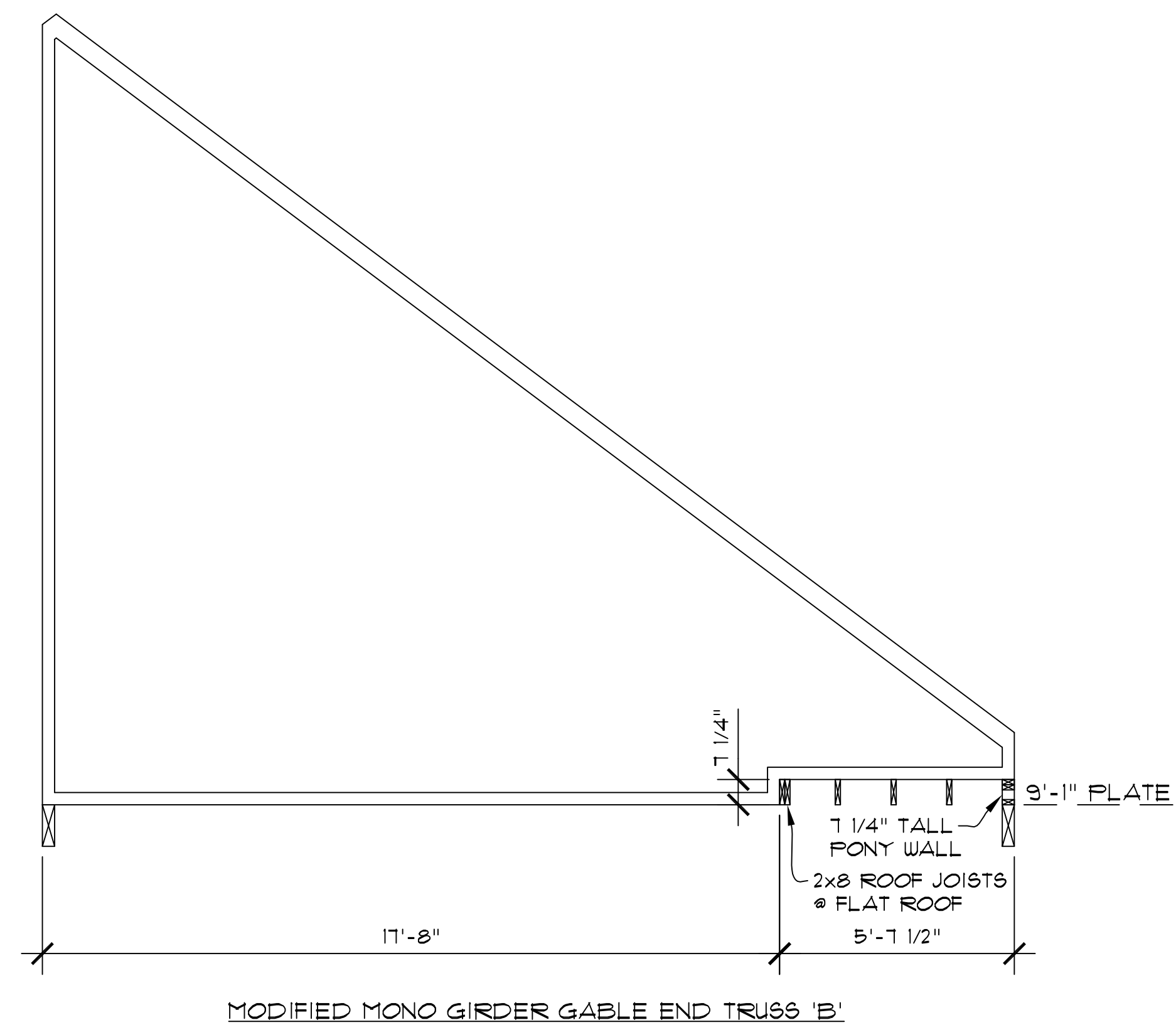
BUILDING SECTION 'F'  
SCALE: 1/4" = 1' - 0"



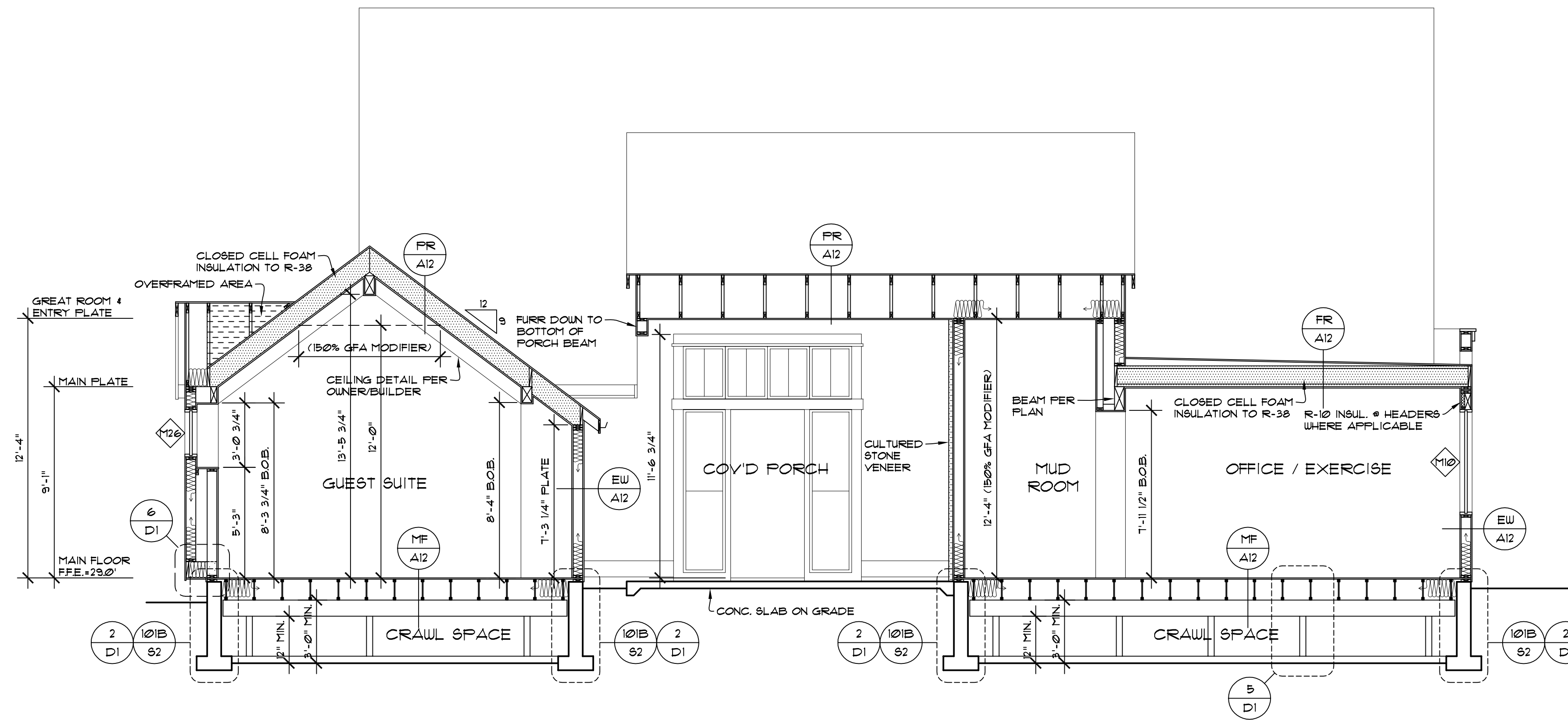
BUILDING SECTION 'G'  
SCALE: 1/4" = 1' - 0"



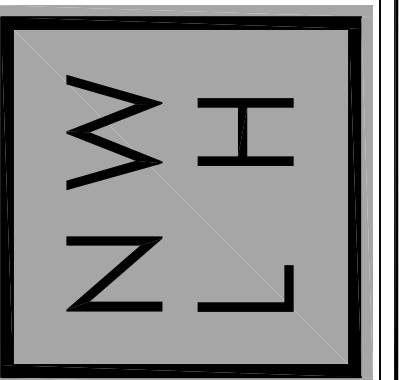
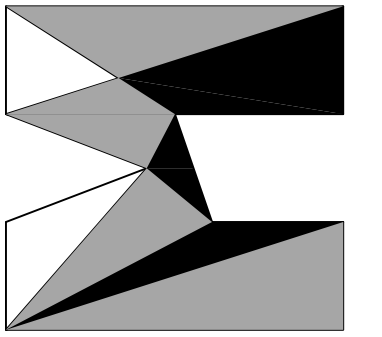


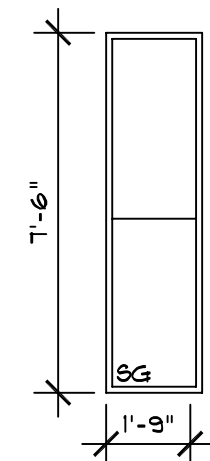
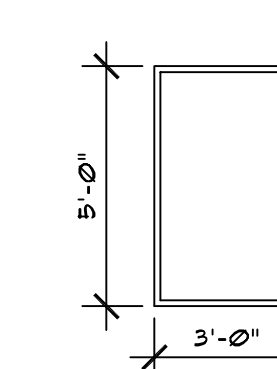
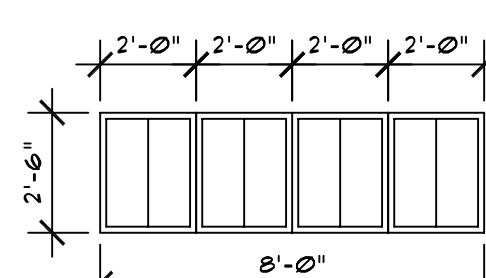
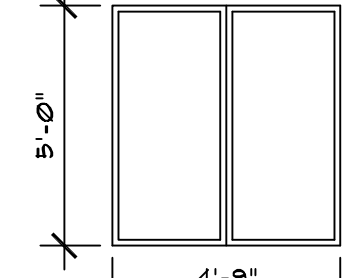
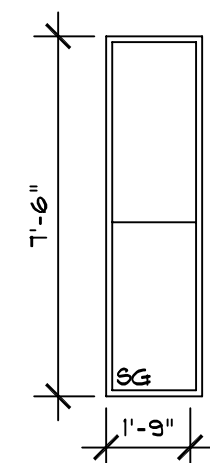
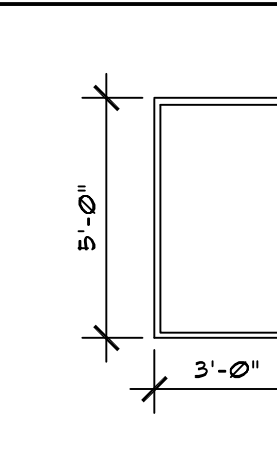
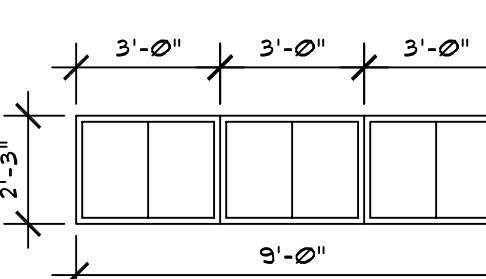
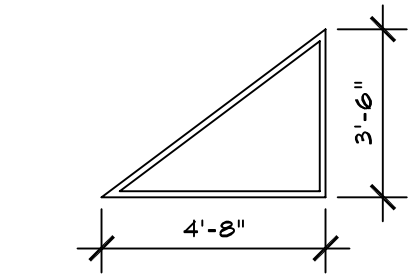
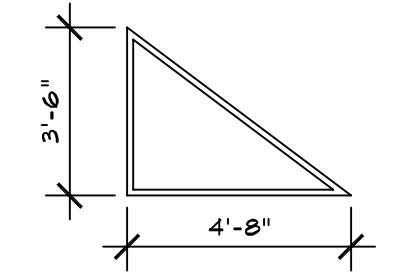
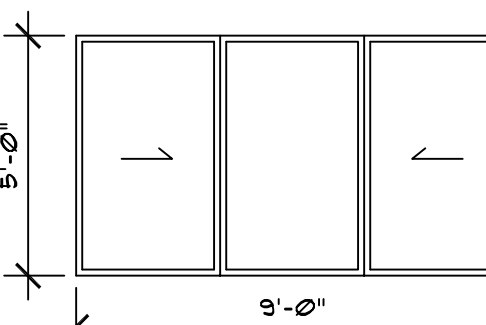
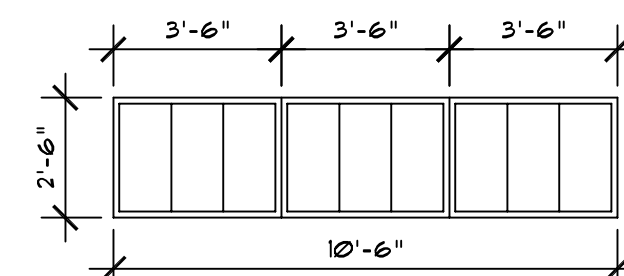
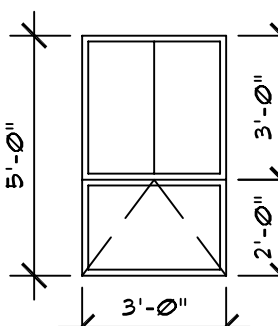
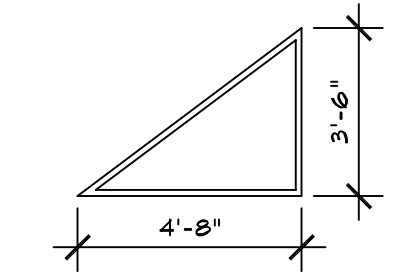
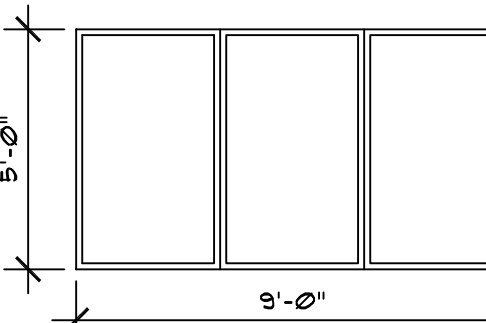
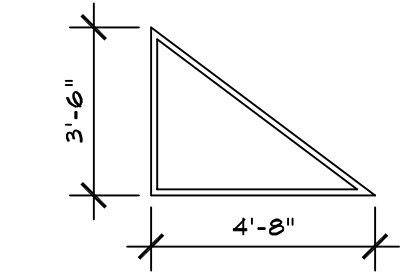
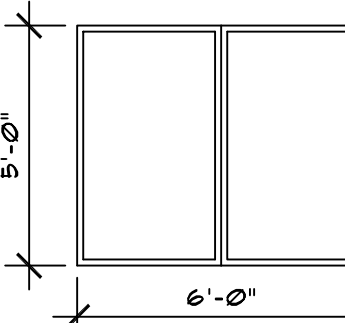
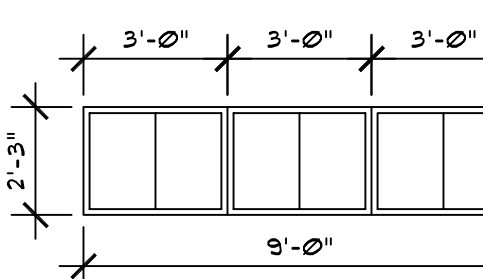
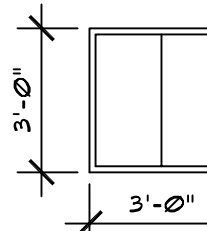
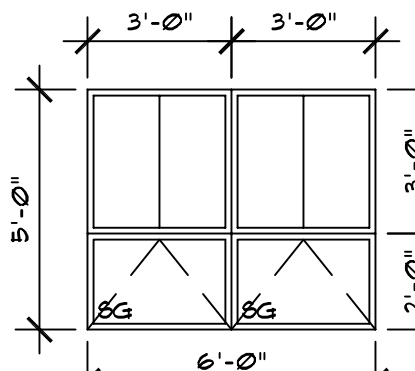
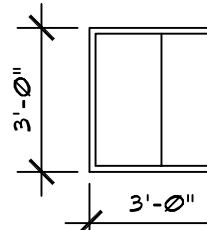
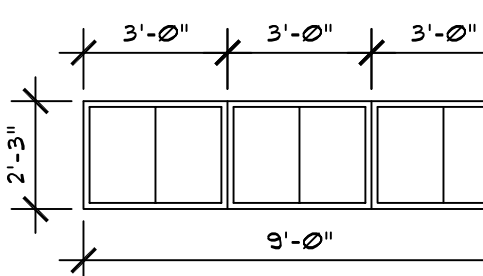
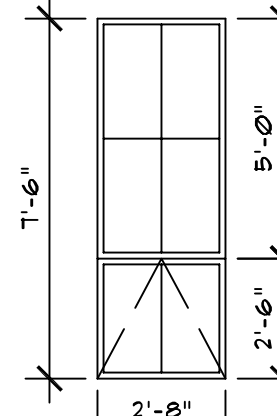
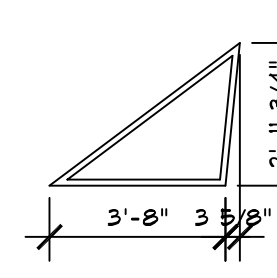
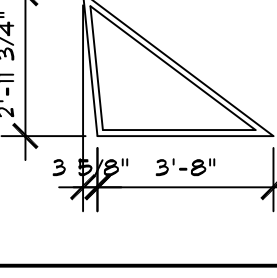
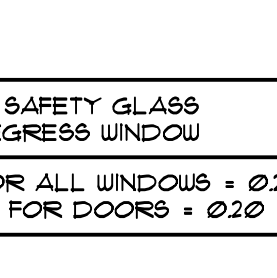


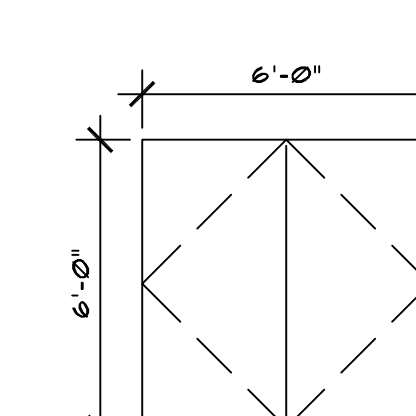
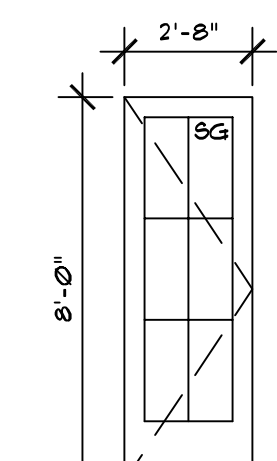
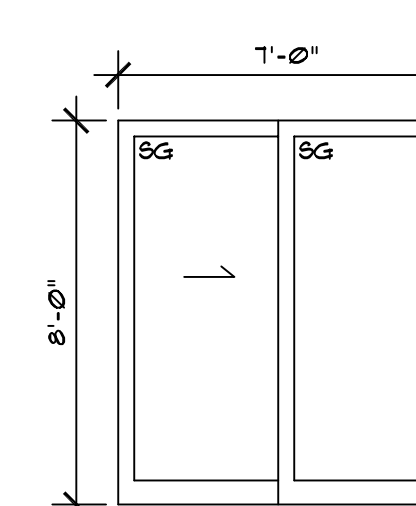
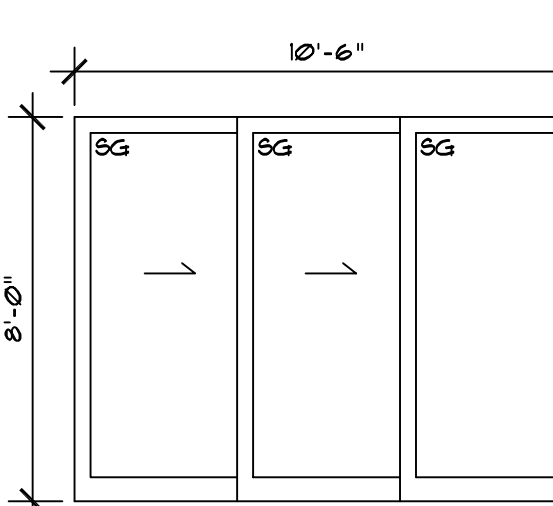
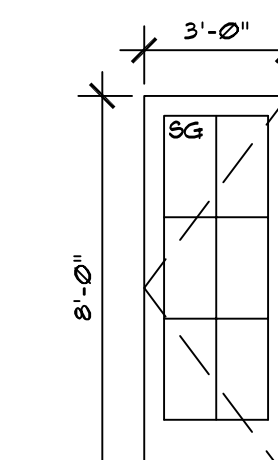
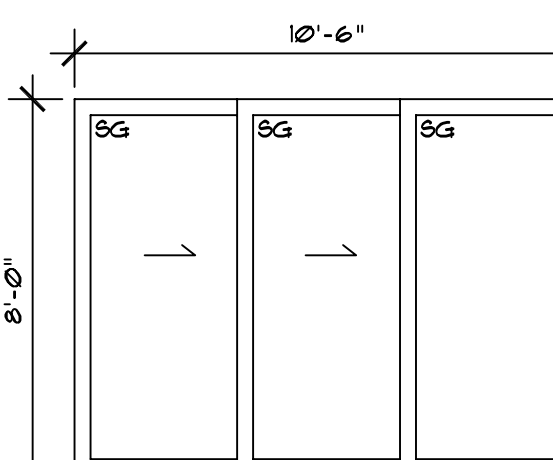
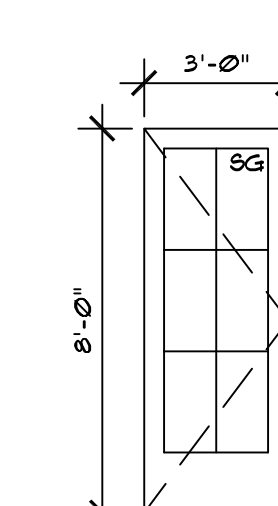
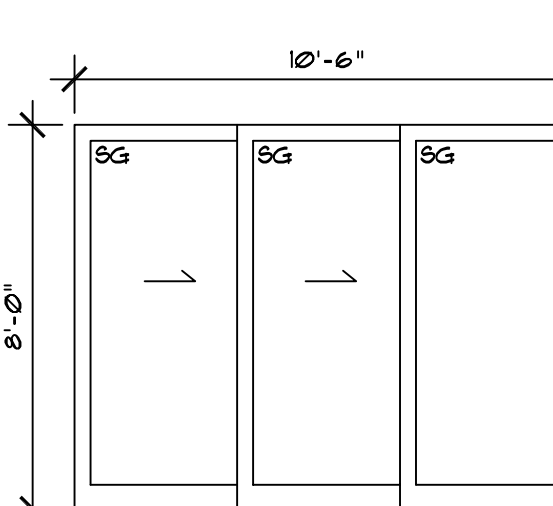
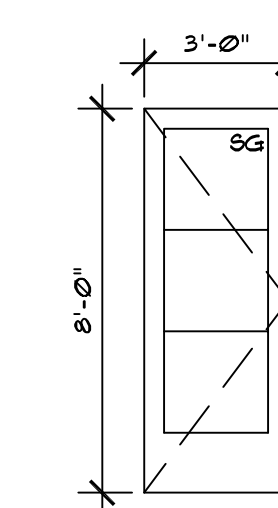
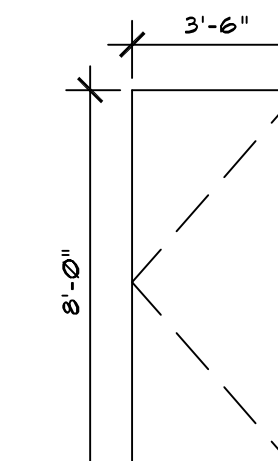
**BUILDING SECTION 'H'**  
SCALE: 1/4" = 1' - 0"

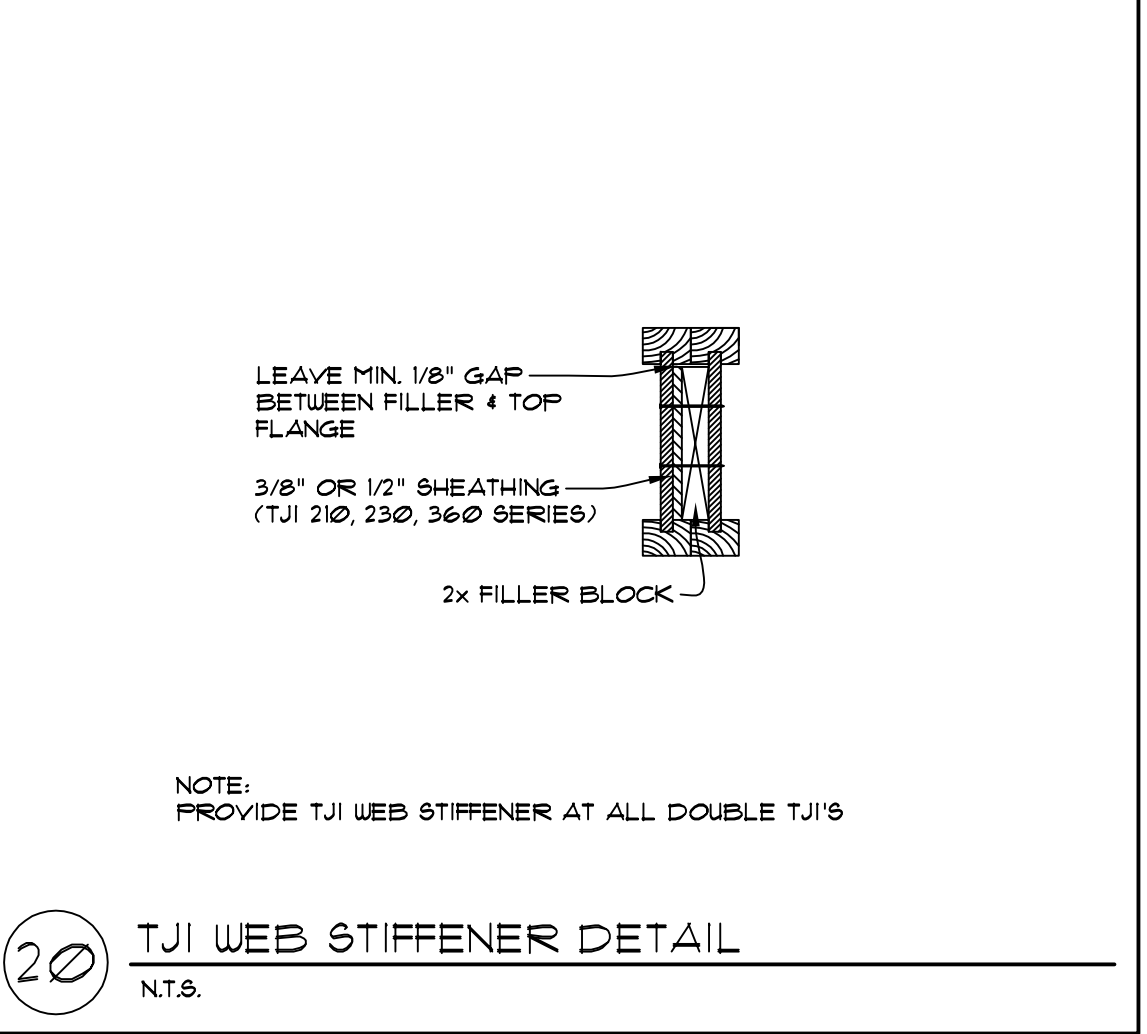
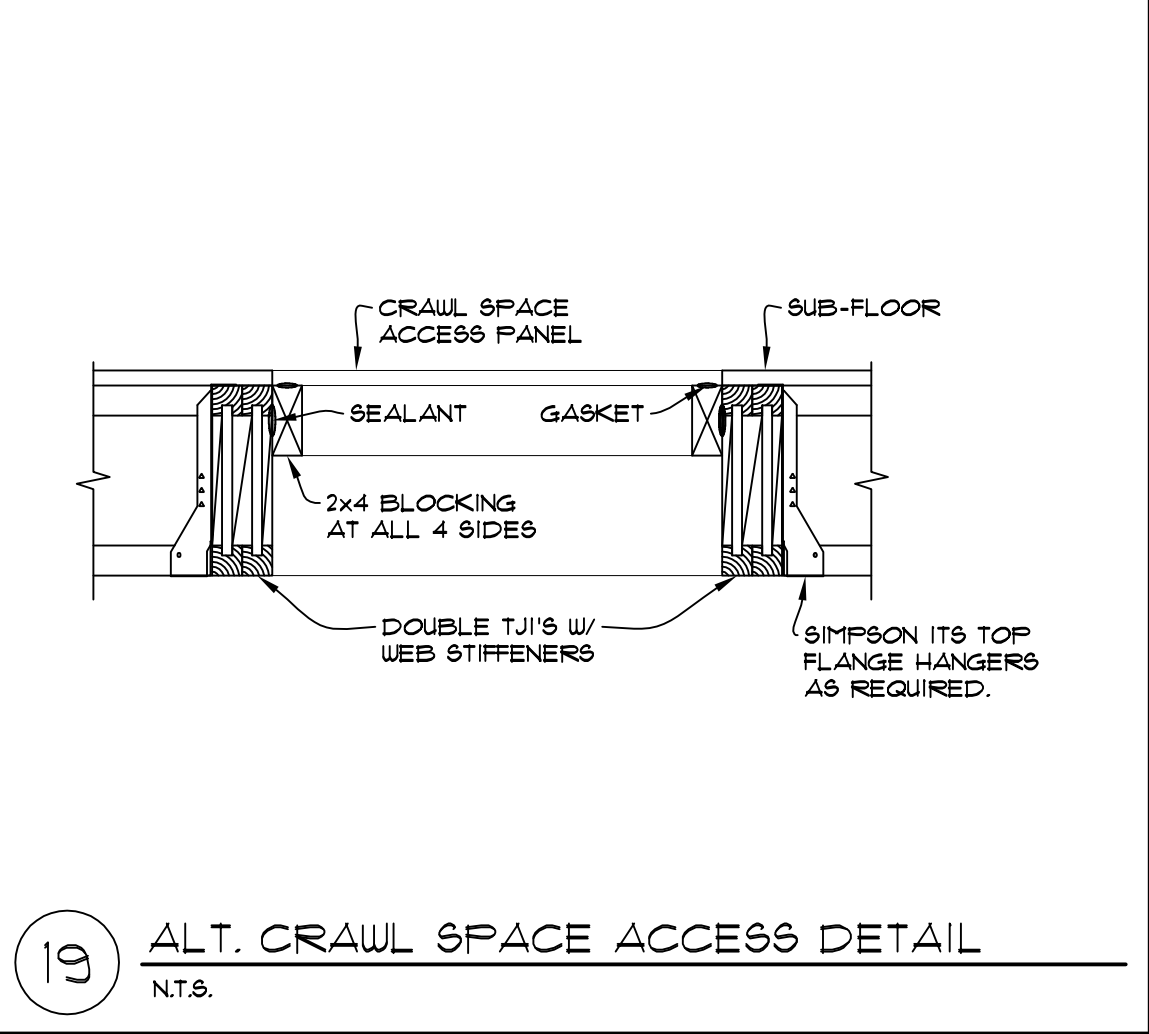
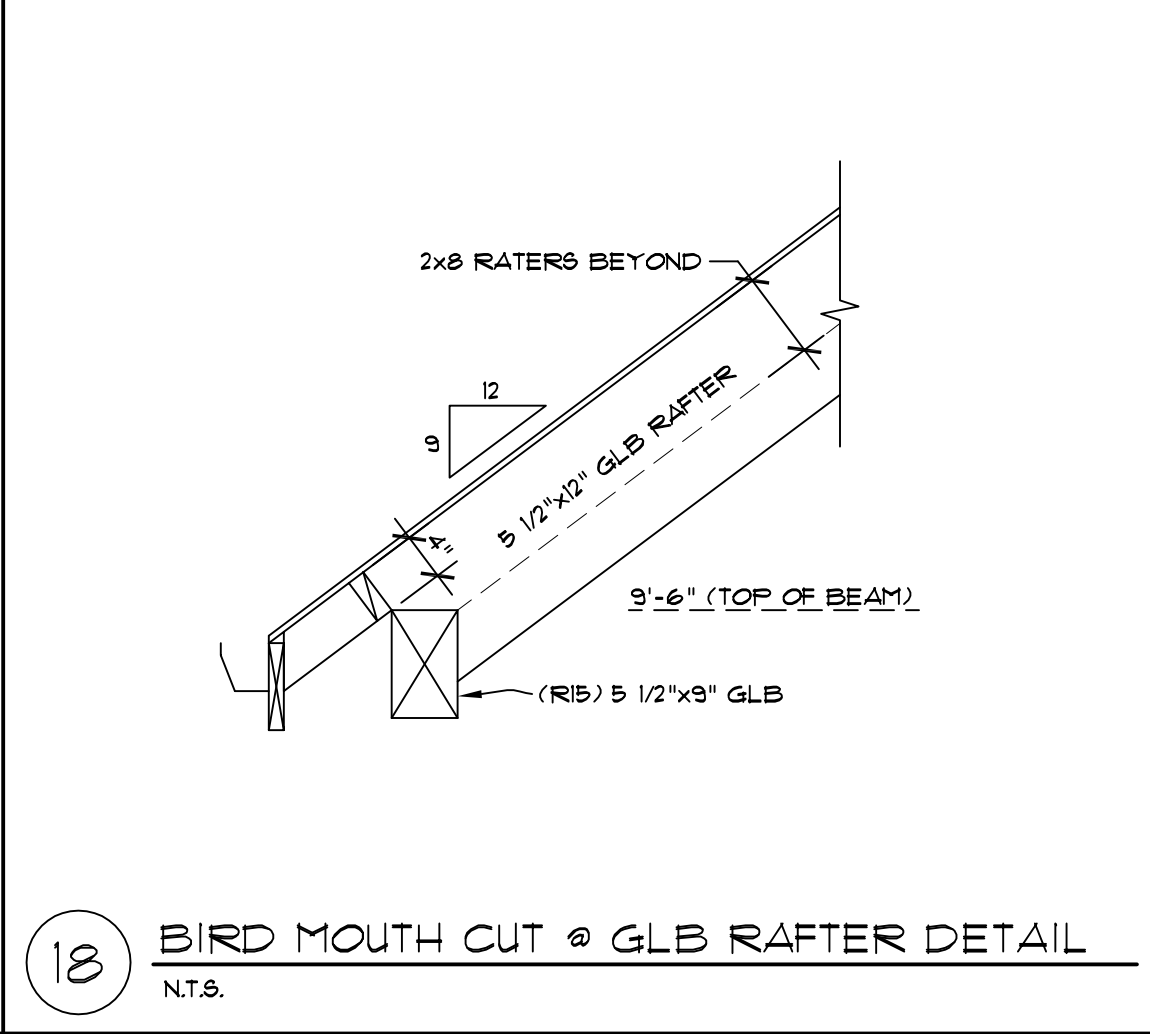
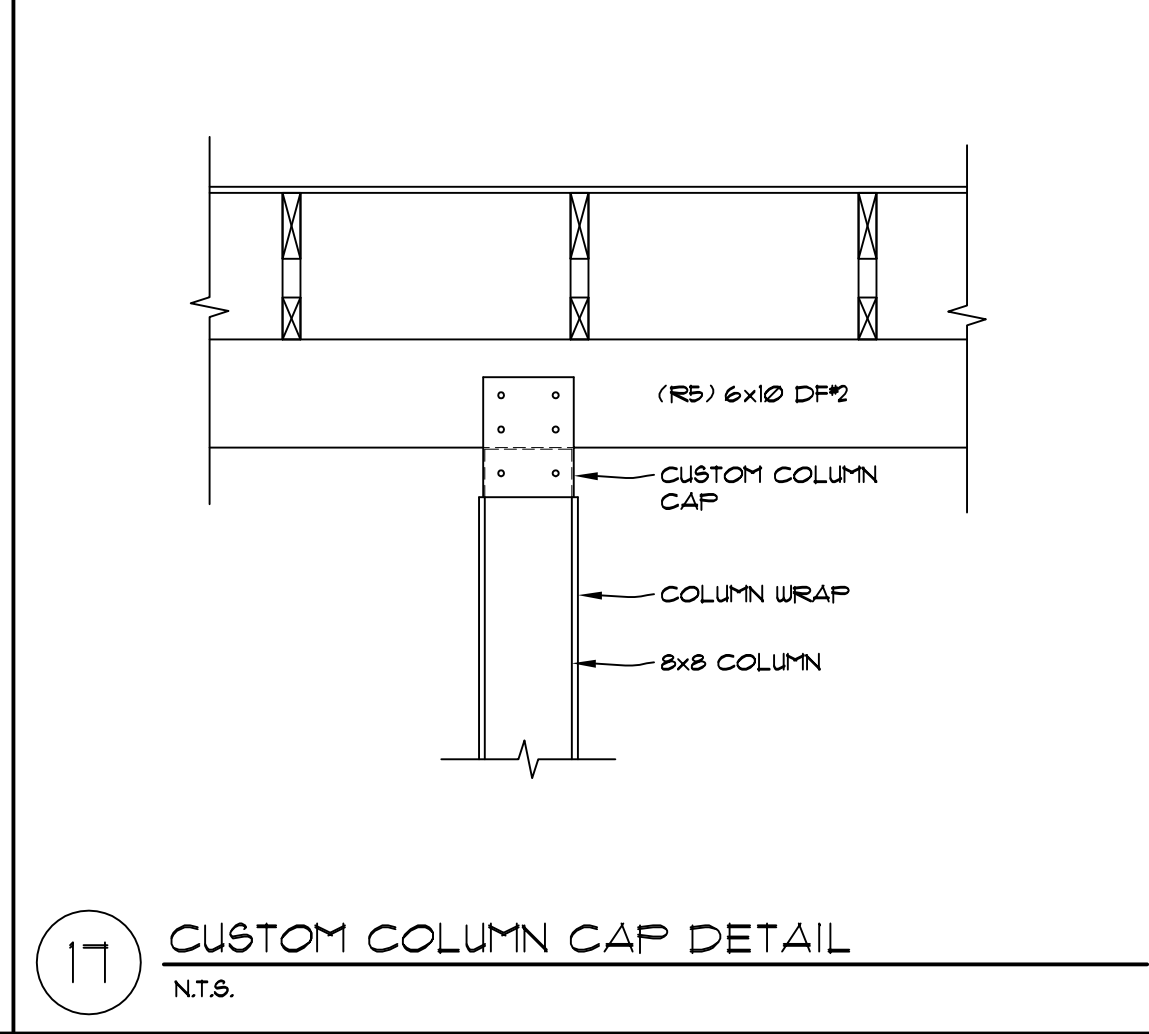
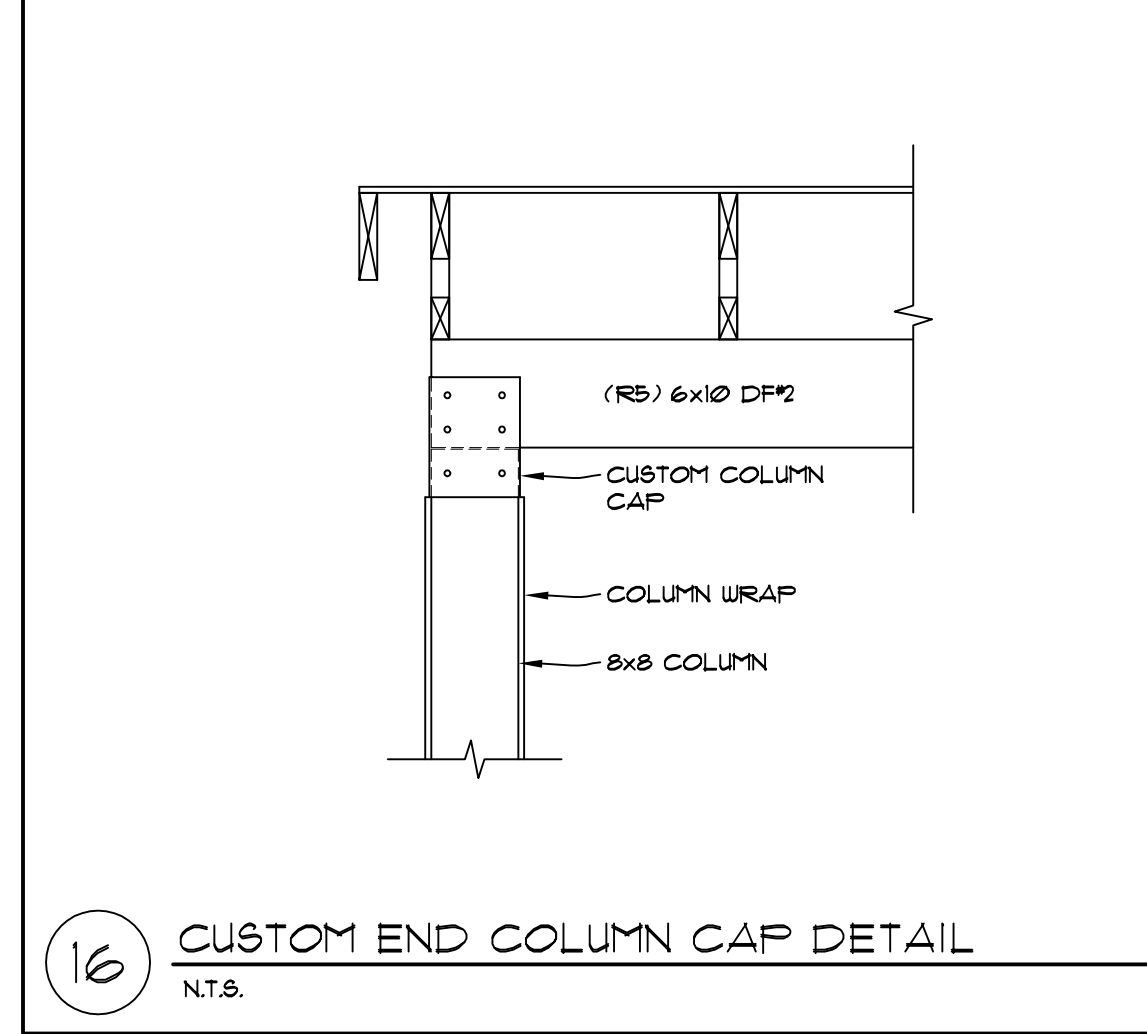
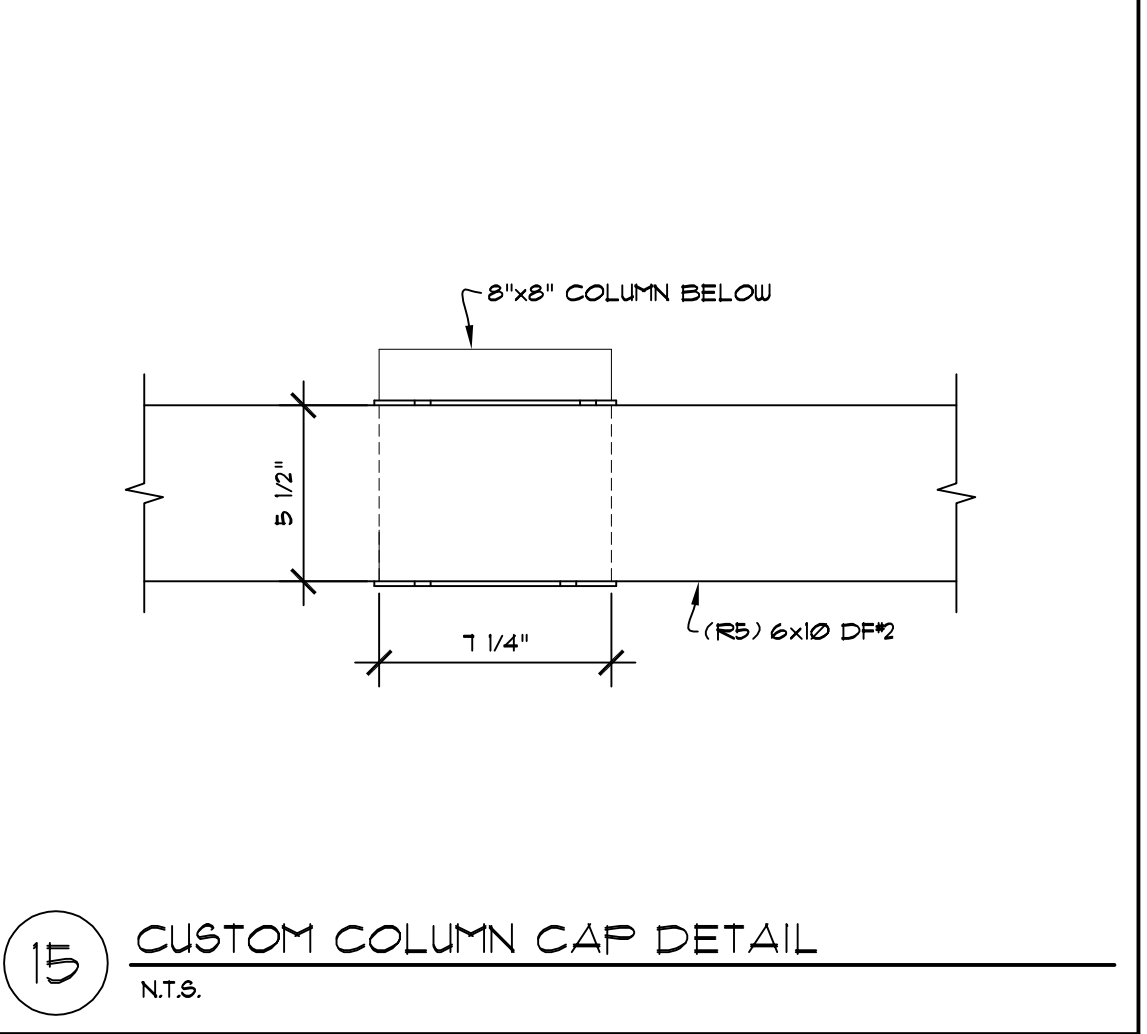
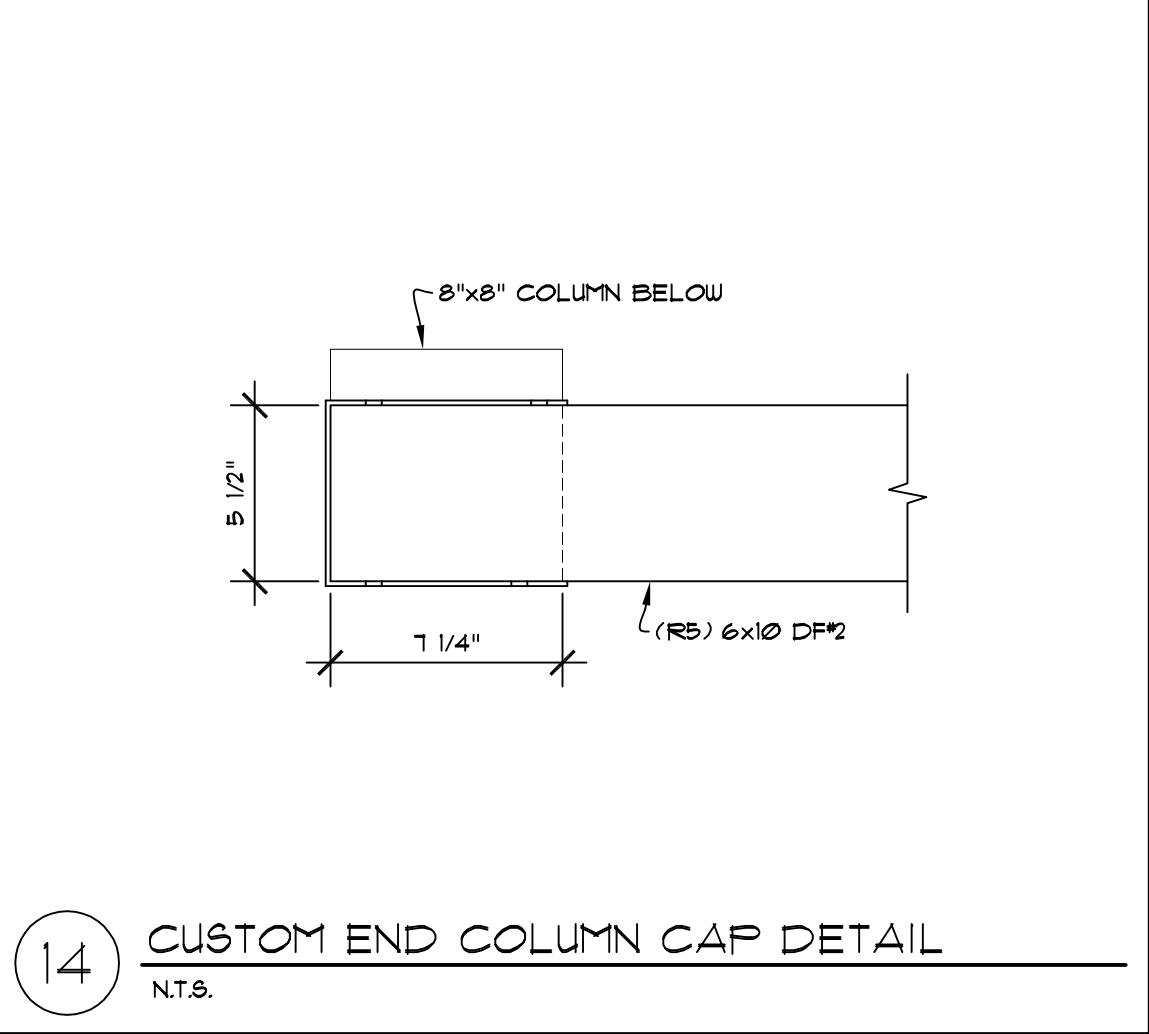
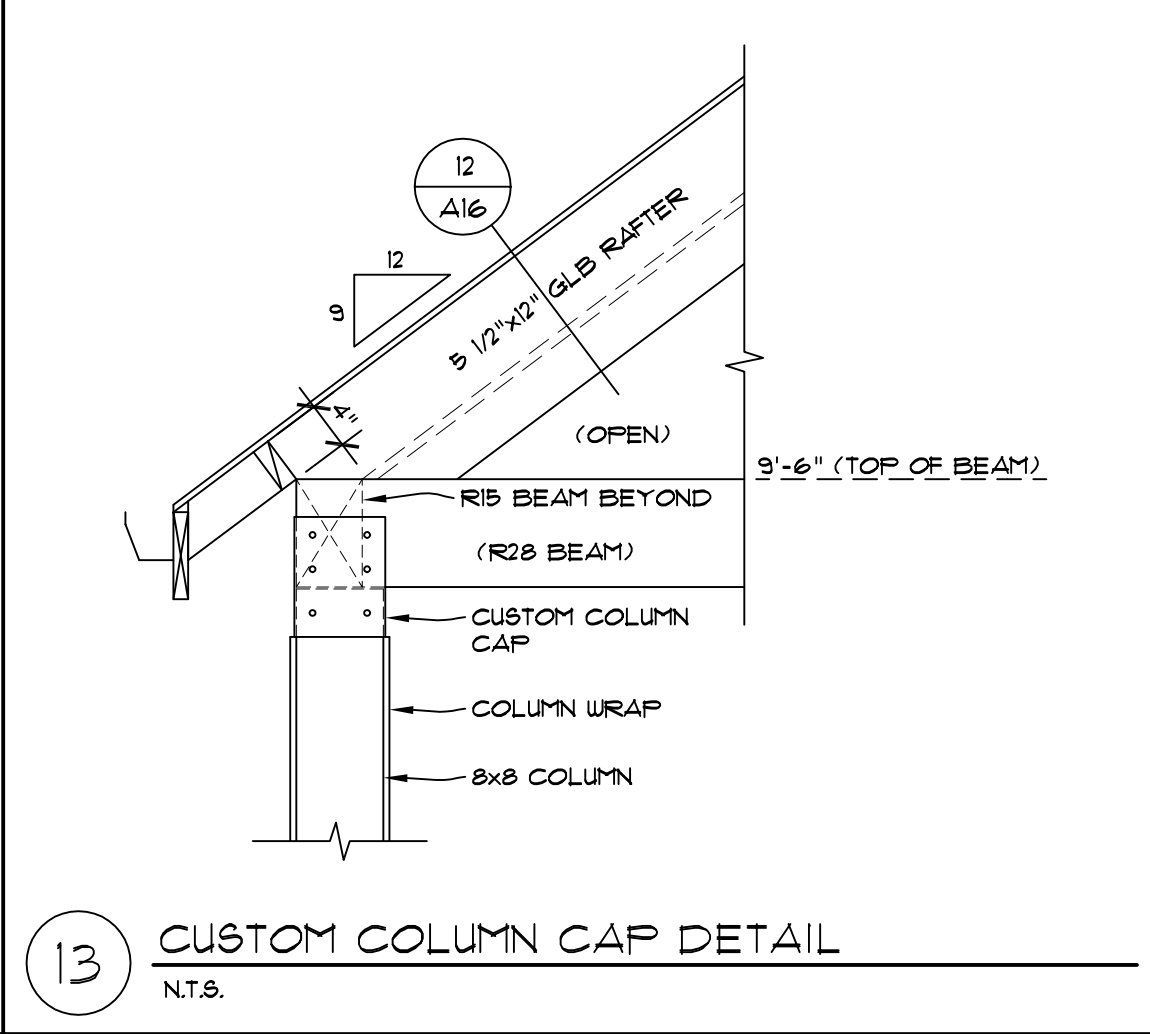
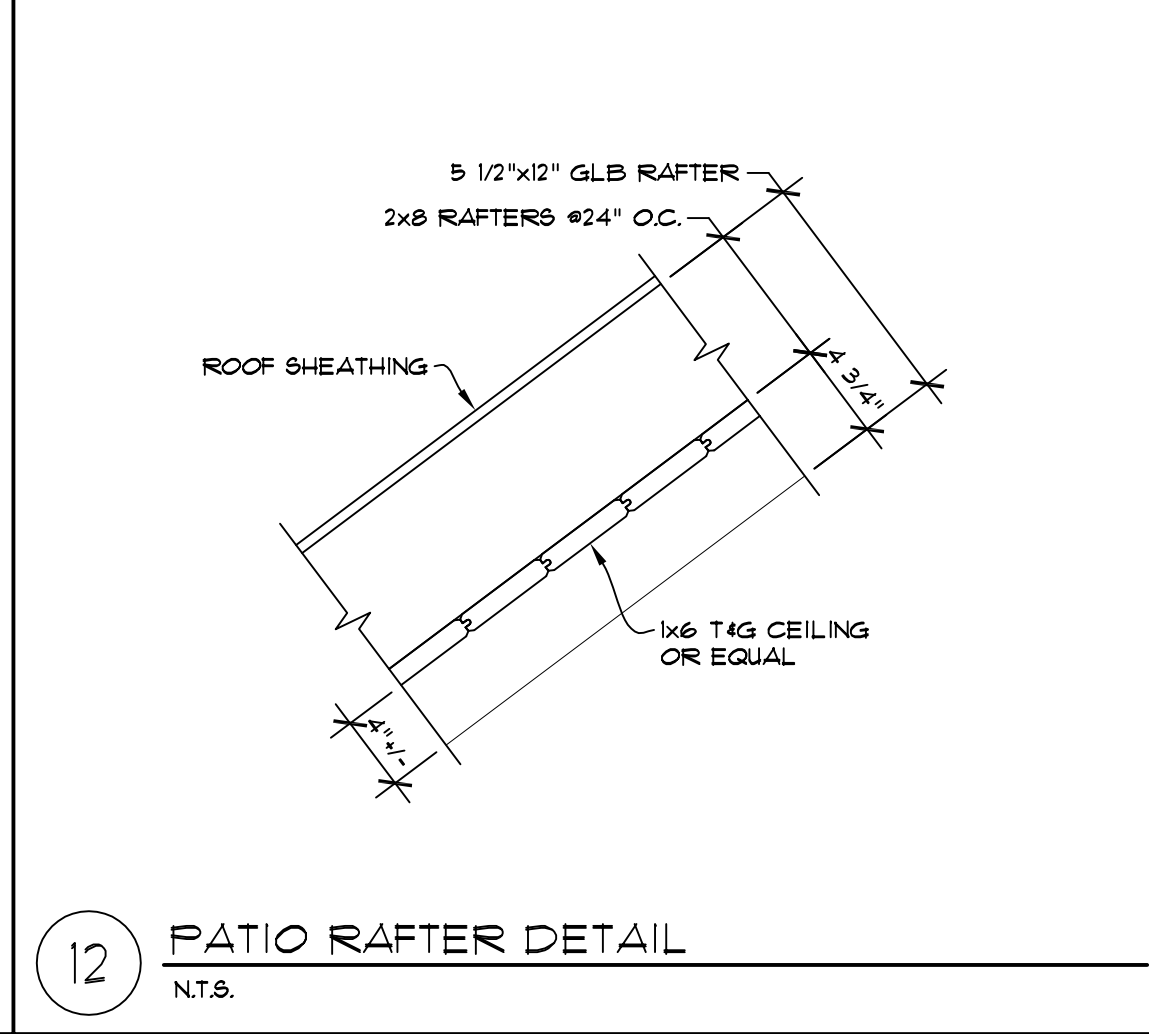
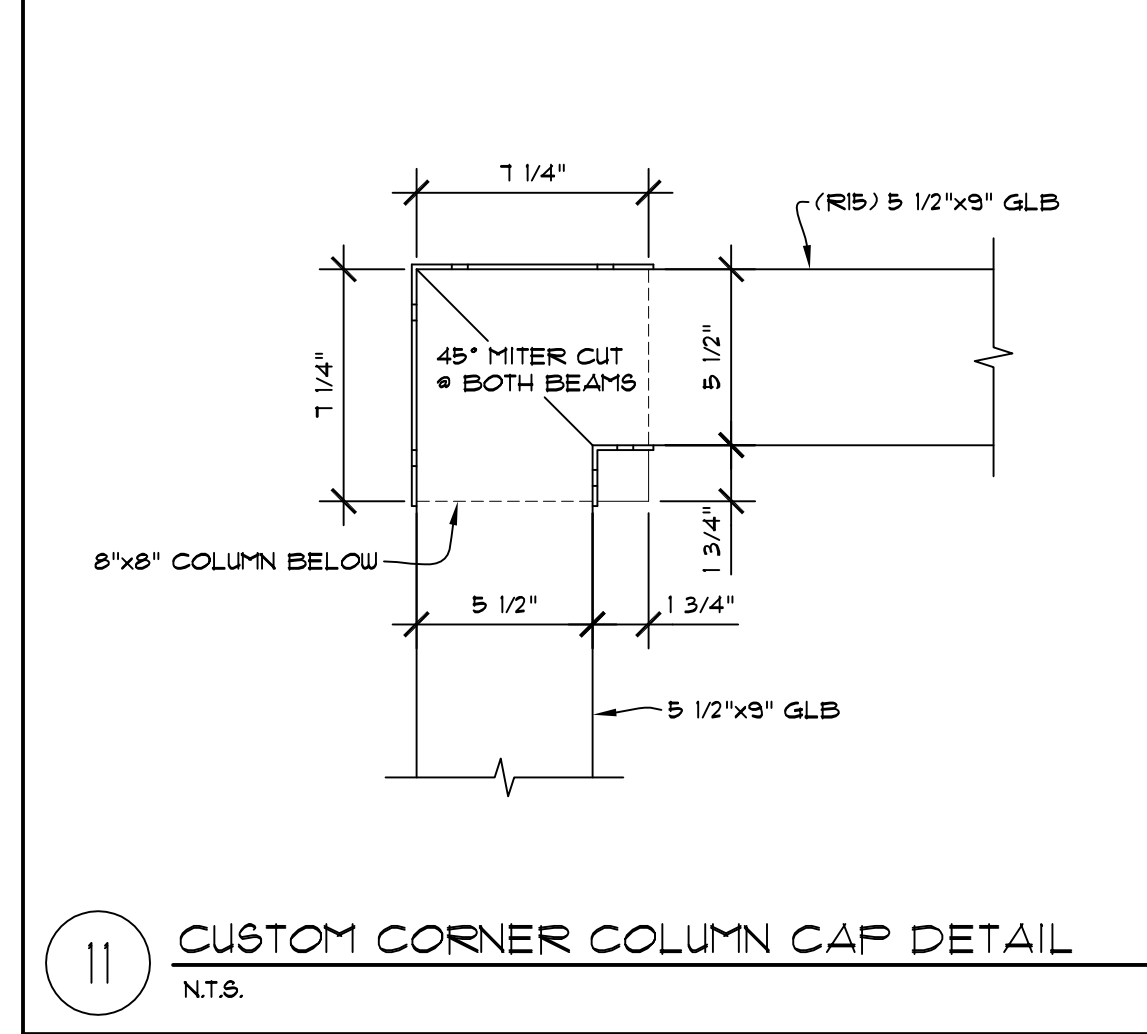
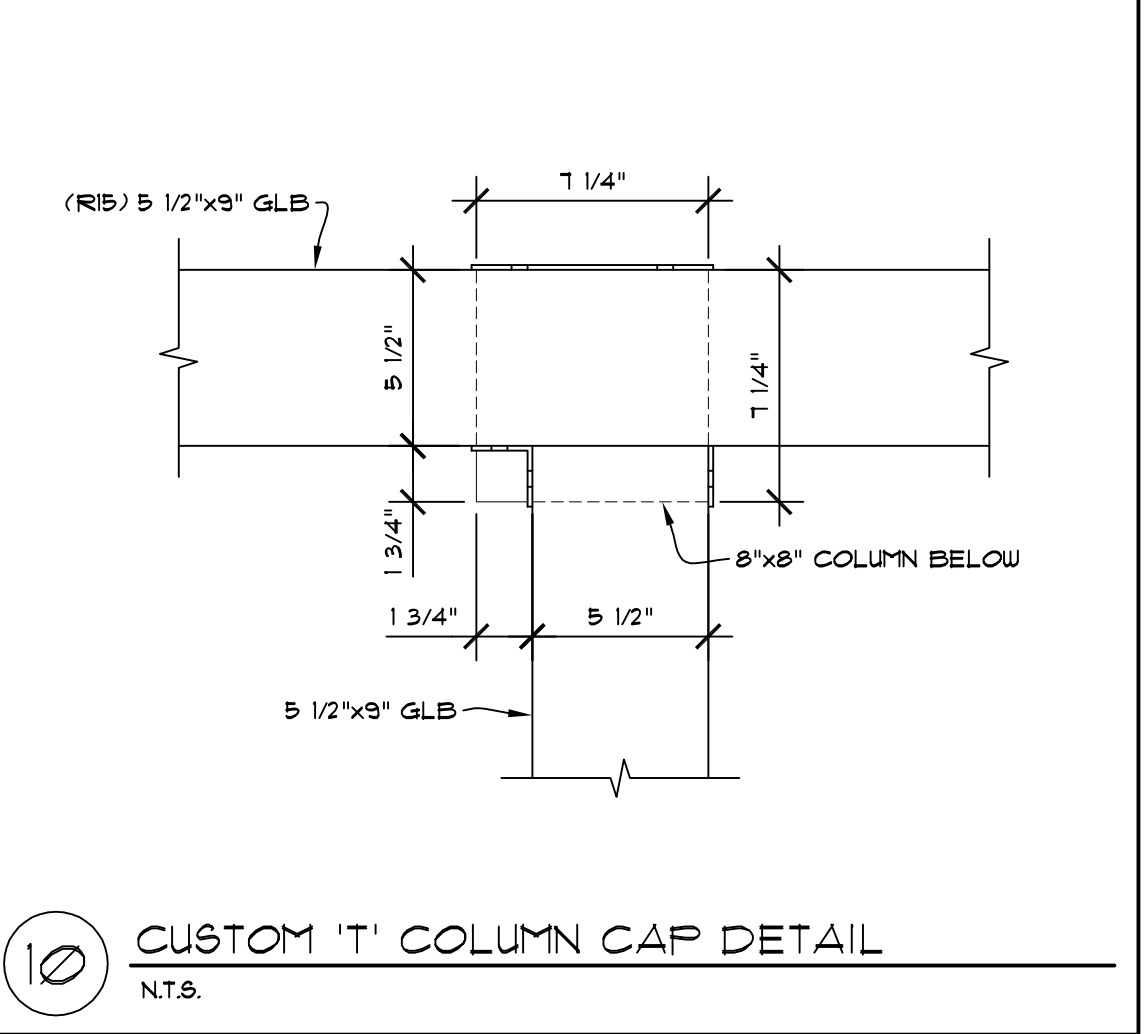
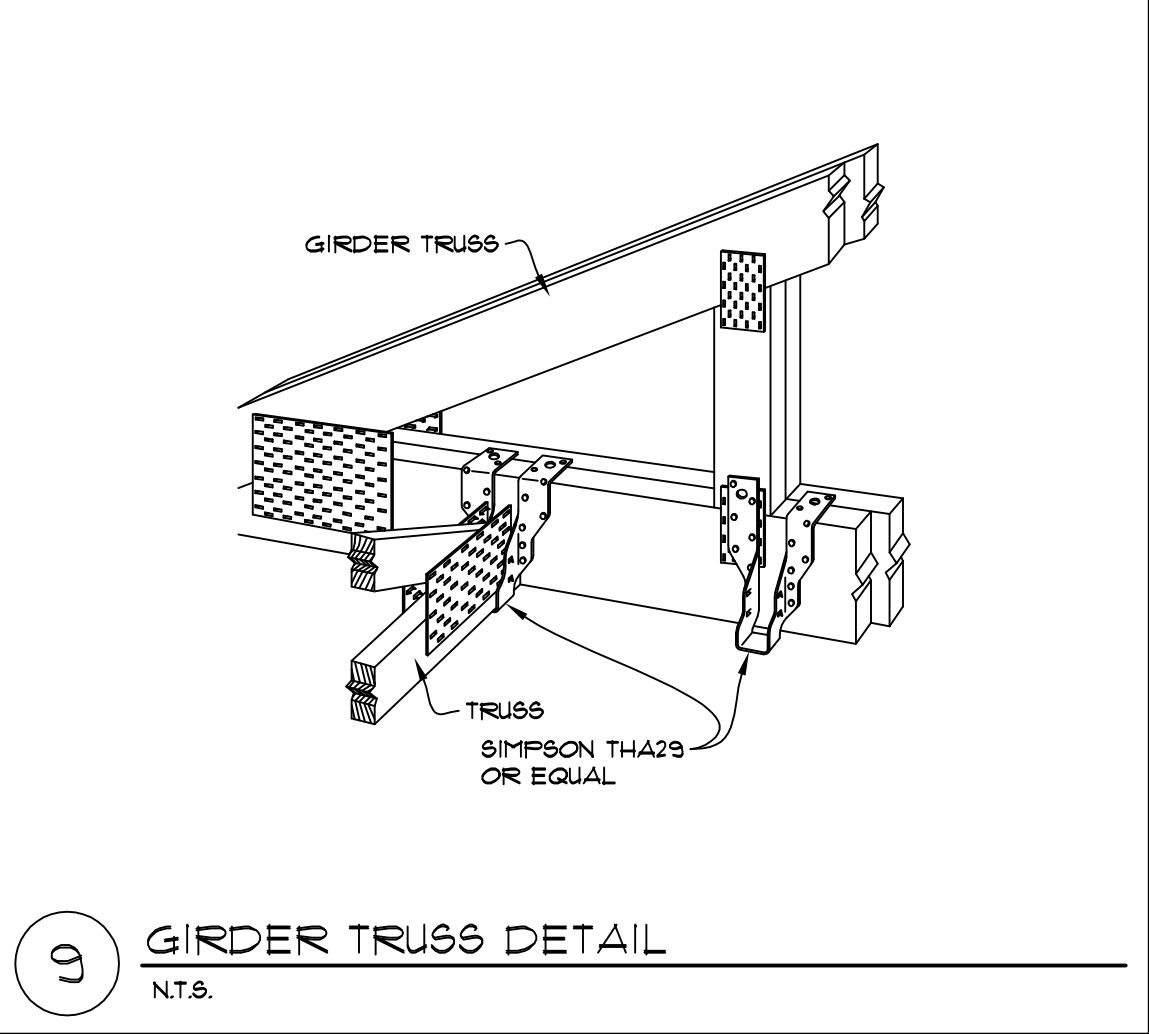
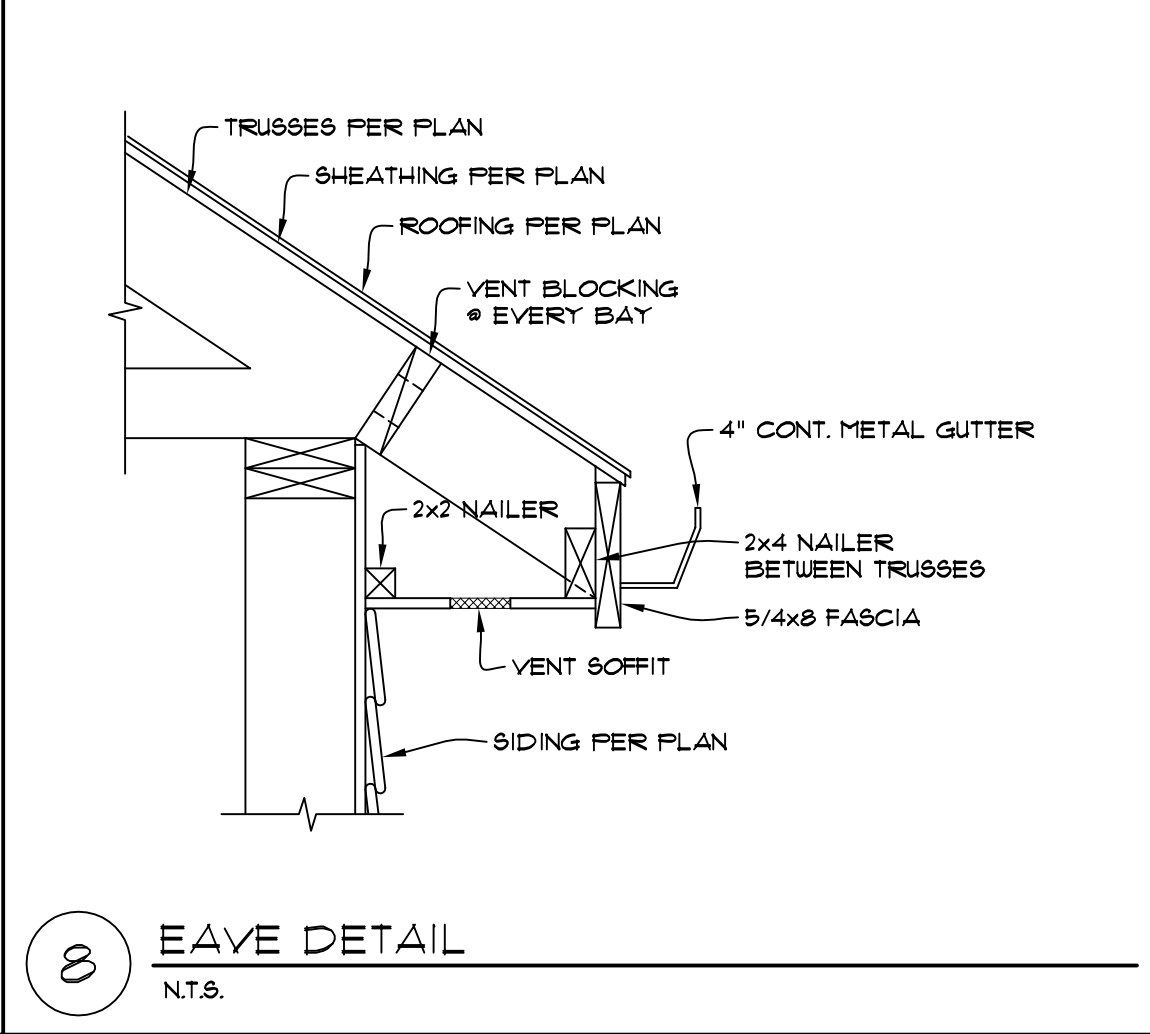
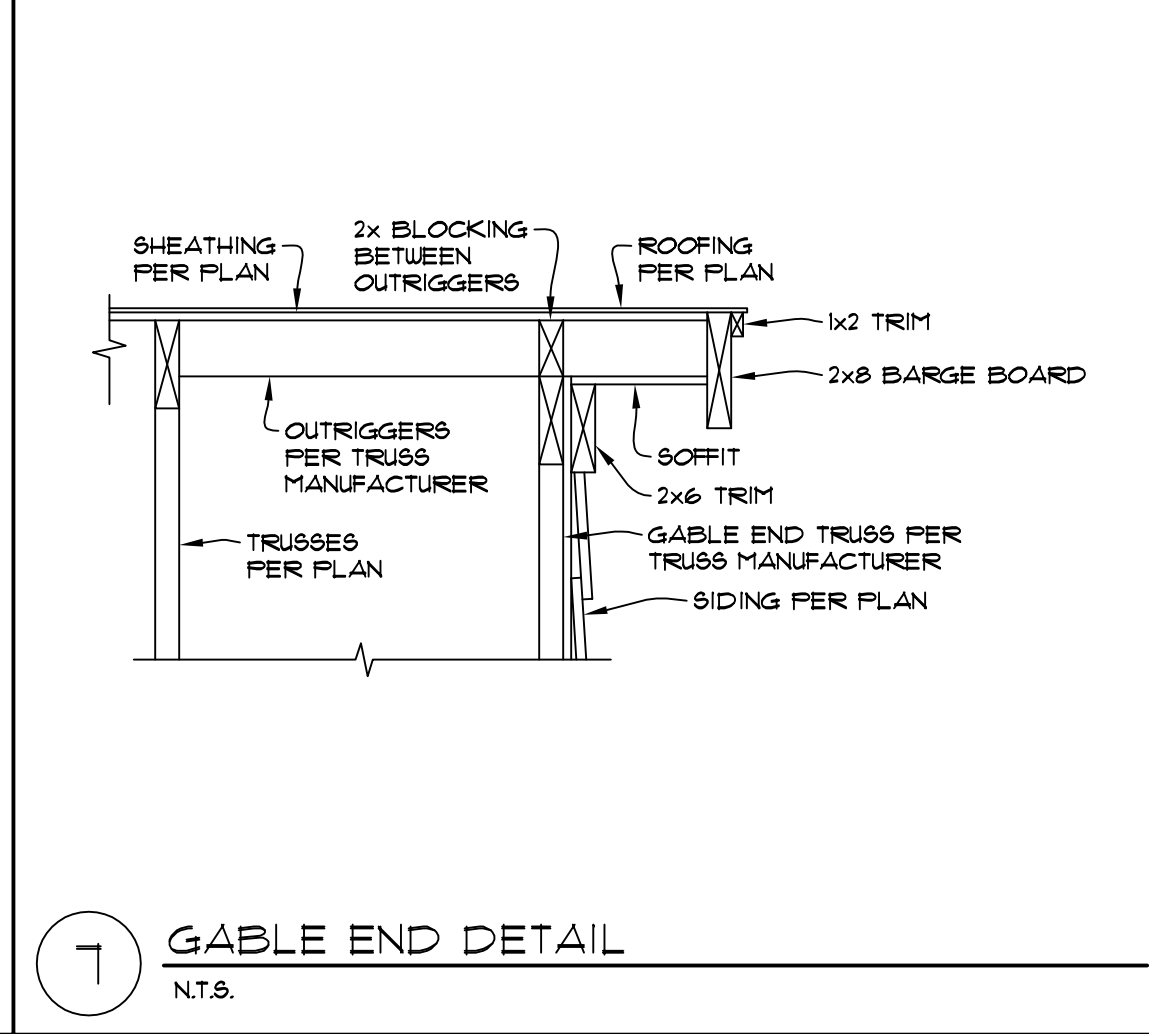
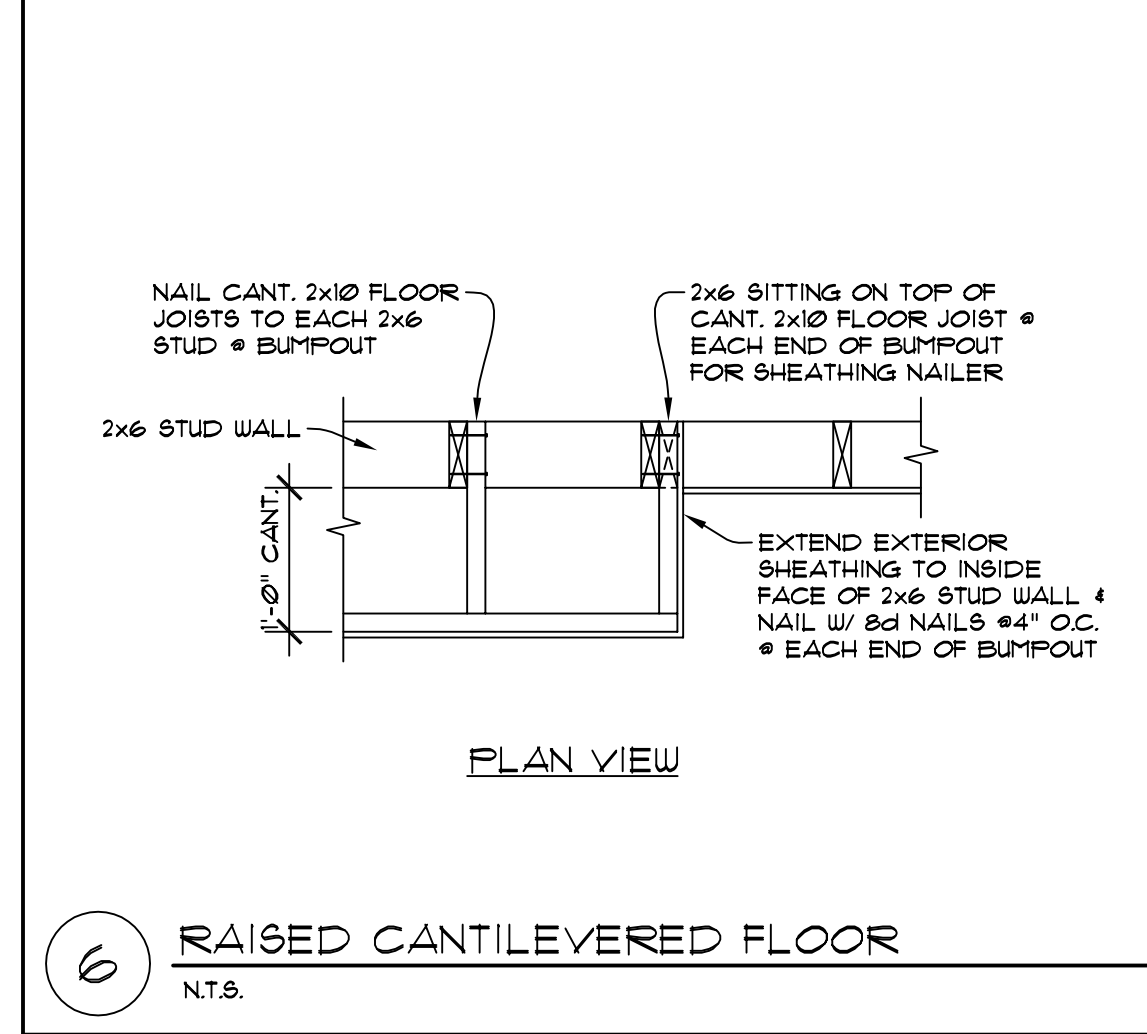
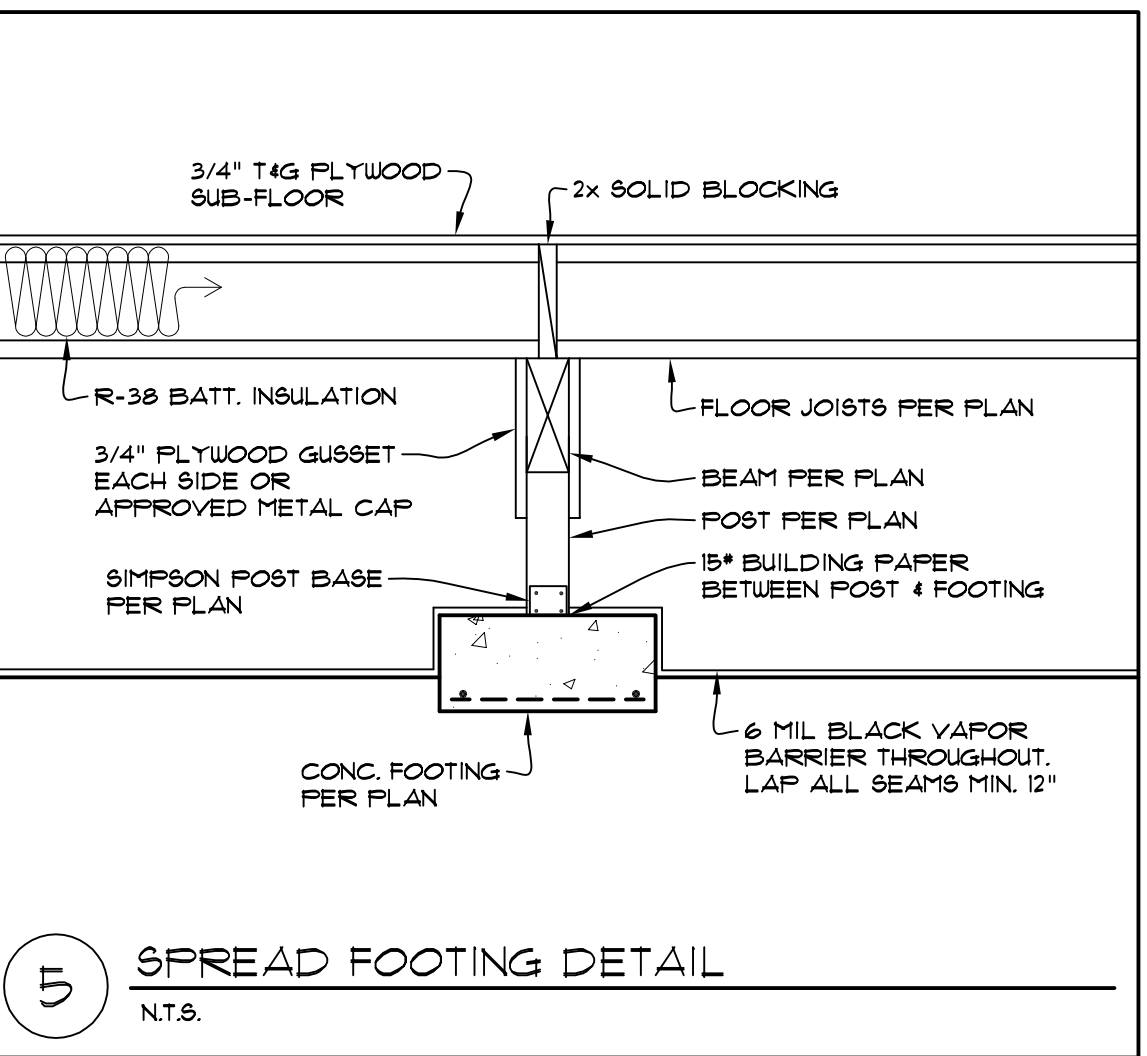
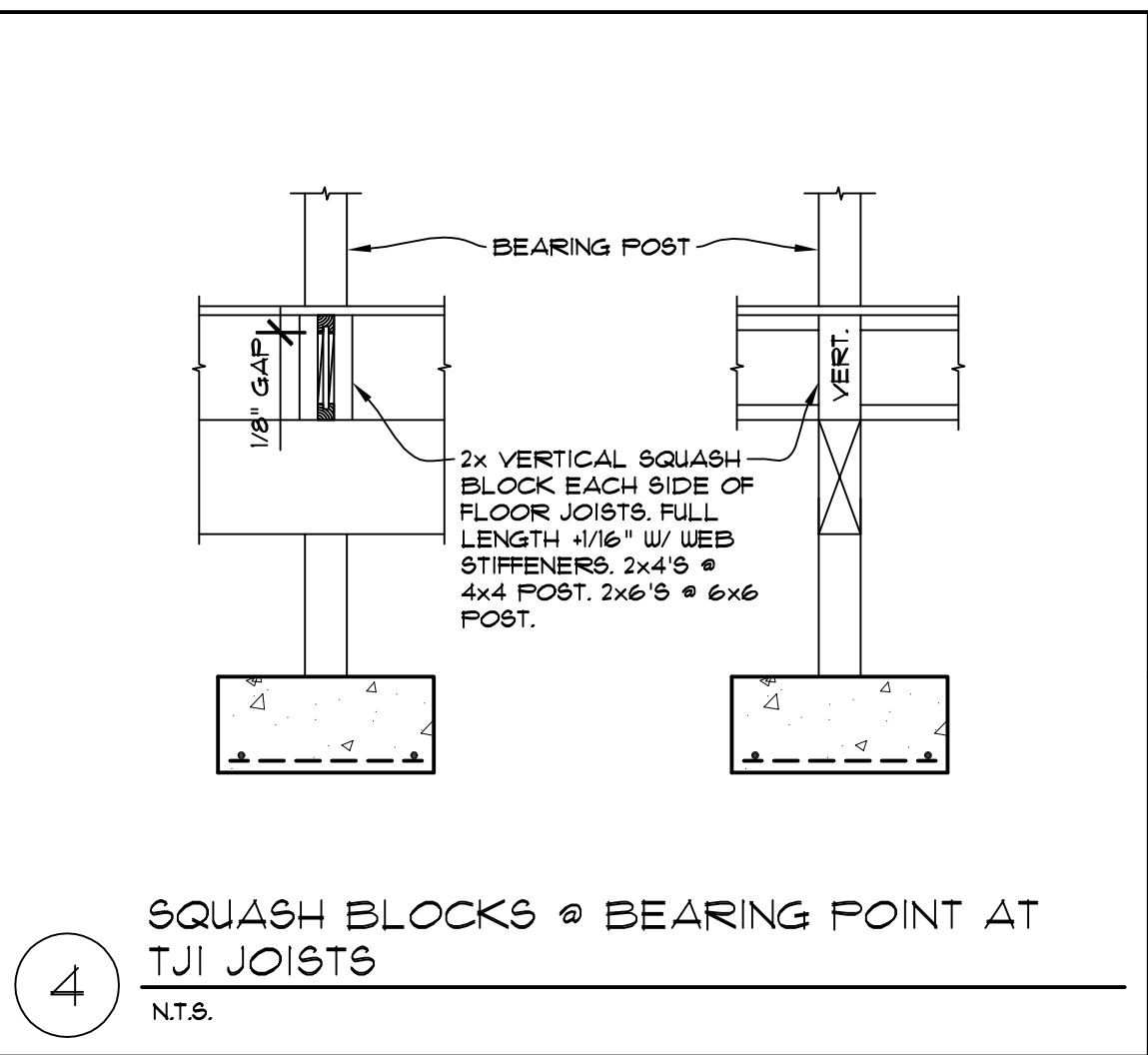
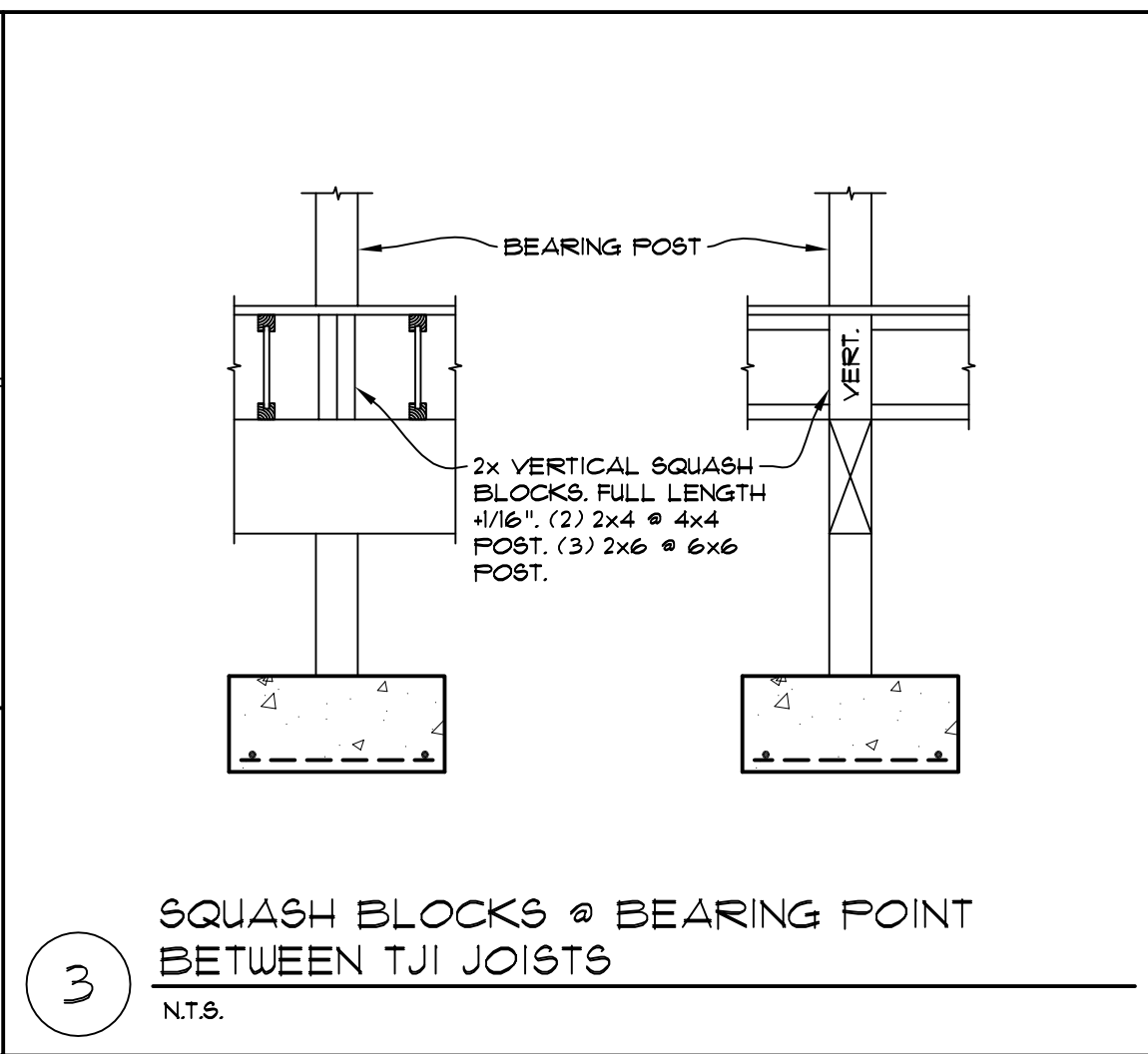
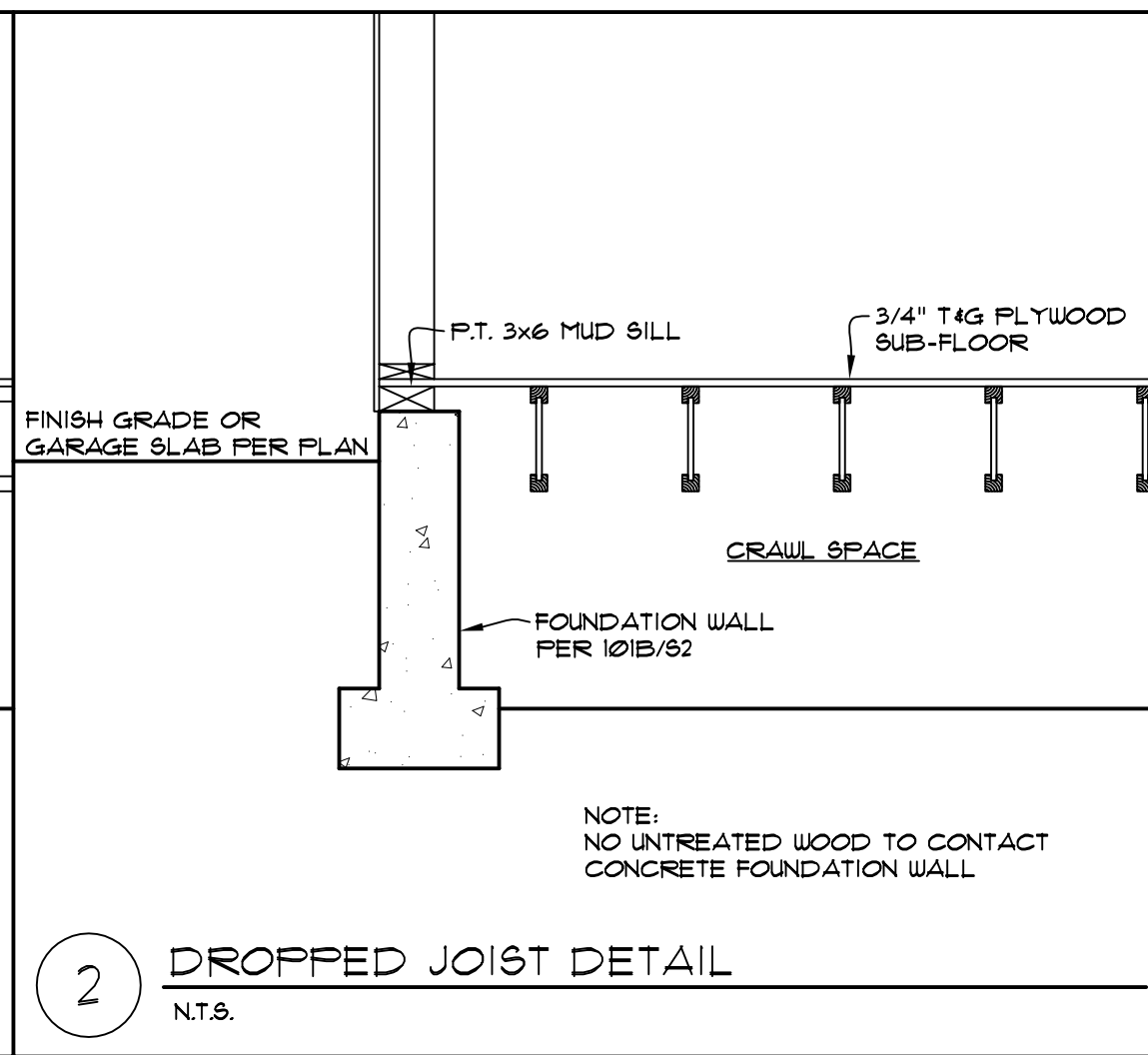
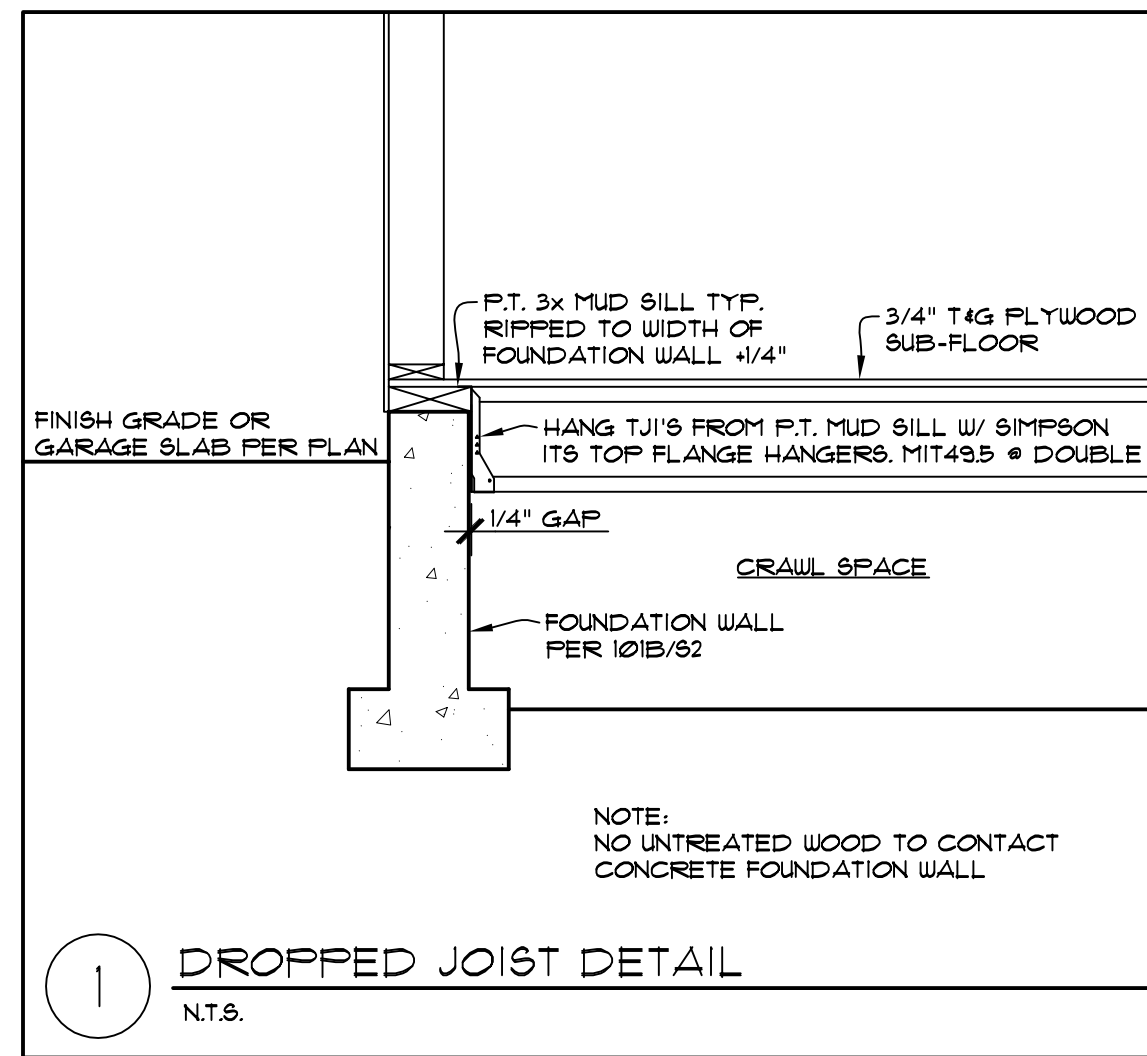


**BUILDING SECTION 'I'**  
SCALE: 1/4" = 1' - 0"



WINDOW SCHEDULE			
MAIN FLOOR WINDOWS			
M1, M2 ENTRY HDR. HT. 8'-0"		M12 PANTRY HDR. HT. 8'-0"	
M3 ENTRY HDR. HT. 11'-0"		M13 KITCHEN HDR. HT. 8'-0"	
M4, M5 VESTIBULE HDR. HT. 8'-0"		M14, M15 KITCHEN HDR. HT. 8'-0"	
M6 GARAGE HDR. HT. 8'-0"		M16 KITCHEN HDR. HT. 13'-4"	
X		M17 KITCHEN HDR. HT. 13'-4"	
M18 CARETAKER HDR. HT. 8'-0"		M18, M19 GREAT ROOM HDR. HT. 11'-0"	
M19 BATH HDR. HT. 8'-0"		M20 GREAT ROOM HDR. HT. 13'-4"	
M20 OFFICE HDR. HT. 8'-0"		M21 P. SUITE HDR. HT. 13'-4"	
M21 LAUNDRY HDR. HT. 8'-0"		M22 P. SUITE HDR. HT. 8'-0"	
		M23 P. BATH HDR. HT. 8'-0"	
		M24 P. BATH HDR. HT. 8'-0"	
		M25 BATH HDR. HT. 8'-0"	
		M26 GUEST SUITE HDR. HT. 8'-0"	
		M27 GUEST SUITE HDR. HT. 8'-0"	
		M28 GUEST SUITE HDR. HT. 8'-0"	
		M29 GUEST SUITE HDR. HT. 13'-4"	
		M30 GUEST SUITE HDR. HT. 13'-4"	
			SG = SAFETY GLASS E = EGRESS WINDOW U-FACTOR FOR ALL WINDOWS = 0.28 U-FACTOR FOR DOORS = 0.20

DOOR SCHEDULE			
EXTERIOR DOORS			
D1 LAKE EQUIP.		D7 GUEST SUITE	
D2 KITCHEN		D8 P. SUITE	
D3 LAKE BATH		D9 GREAT ROOM	
D4 GARAGE		D10 DINING	
D5 VESTIBULE			
D6 ENTRY			







MDT ENGINEERING  
3103 44th AVE S  
AUBURN, WA 98001  
PHONE: (253) 709-9852  
EMAIL: md.thompson@earthlink.net

REVISION DATES:  
REV. 2-9-23

PROJECT: MAWER-HOUTCHENS  
SHEET TITLE: STRUCTURAL NOTES & SCHEDULES  
SCALE: NO SCALE  
DATE: 4-18-22  
DRAWN BY: MDT  
SHEET NO.: S1  
PROJECT NO. MAWER/HOUTCHENS

**STRUCTURAL NOTES**

**CODES AND SPECIFICATIONS**

- INTERNATIONAL BUILDING CODE, 2018 EDITION, ASCE 7-16
- INTERNATIONAL RESIDENTIAL CODE, 2015 EDITION
- SIMPSON STRONG TIE WOOD CONSTRUCTION CONNECTORS 2021-2023
- FASTENERS IN CONTACT WITH PRESSURE TREATED WOOD MUST BE STAINLESS STEEL, ZMAX(G185HDG PER ASTM A653). BATCH/POST HOT-DIP GALVANIZED (PER ASTM B695, CLASS 55 OR GREATER). UNCOATED AND PAINTED PRODUCTS SHOULD NOT BE USED WITH TREATED WOOD. WHEN USING STAINLESS STEEL HOT-DIP GALVANIZED CONNECTORS, THE CONNECTORS AND FASTENERS SHOULD BE MADE OF THE SAME MATERIAL.

**DESIGN CRITERIA**

- WIND LOAD: INTERNATIONAL BUILDING CODE, 2018, ASCE 7-16, ALTERNATE ALL-HEIGHTS METHOD, ULTIMATE DESIGN WIND SPEED = 110 MPH, NOMINAL DESIGN WIND SPEED = 85 MPH, EXPOSURE C
- SEISMIC: INTERNATIONAL BUILDING CODE, 2018, ASCE 7-16  
RISK CATEGORY II, SEISMIC IMPORTANCE CATEGORY, I<sub>e</sub>=1.0  
MAPPED SPECTRAL RESPONSE ACCELERATION PARAMETERS, S<sub>s</sub>=1.5, S<sub>1</sub>=0.5  
SITE CLASS D  
DESIGN SPECTRAL RESPONSE ACCELERATION PARAMETERS, S<sub>ds</sub>=1.0g, S<sub>d</sub>=0.5g  
SEISMIC DESIGN CATEGORY, D2  
BASIC SEISMIC FORCE-RESISTING SYSTEM: LIGHT FRAME WALLS WITH WOOD SHEAR WALLS  
DESIGN BASE SHEAR, V + F(S<sub>ds</sub>)(W)/R = 0.1846W  
RESPONSE MODIFICATION COEFFICIENT, R=6.5  
ANALYSIS PROCEDURE USED: SIMPLIFIED ALTERNATIVE STRUCTURAL DESIGN FOR SIMPLE BEARING WALL SYSTEMS
- ROOF LOAD: DL = 15 PSF LL = 25 PSF (ROOF SNOW LOAD)
- FLOOR LOAD: DL = 10 PSF LL = 40 PSF
- DECK LOAD: DL = 10 PSF LL = 60 PSF

- SOILS: REFER TO GEOTECH REPORT BY PanGeo INC. PROJECT NO. 22-241 DATED 7/13/22 FOR SOIL DESIGN INFORMATION. PER GEOTECH REPORT, AT SLAB ON GRADE, REMOVE A MINIMUM OF 12" OF EXISTING SOIL BELOW THE SLAB AND PLACE 12" OF PROPERLY COMPACTED FREE-DRAINING GRANULAR STRUCTURAL FILL. IF SOFT, WET SUBGRADE CONDITIONS ARE PRESENT, PLACE A GEOTEXTILE FABRIC OVER THE EXPOSED SUBGRADE PRIOR TO PLACING THE STRUCTURAL FILL.

- 3" DIAMETER PIN PILES WILL BE USED FOR FOUNDATION SUPPORT AS LOCATED PER PLAN WITH AN ALLOWABLE AXIAL COMPRESSION CAPACITY OF 12,000#. PILES SHOULD CONSIST OF SCHEDULE-40, ASTM A-53 GRADE "A" PIPE. LOAD TESTING IS REQUIRED. ASTM D1143 QUICK TEST IS REQUIRED ON A MINIMUM OF 3% OF PILES UP TO 5 MAX, 1 MIN. 3" DIAMETER PILES SHALL BE DRIVEN TO REFUSAL WITH A MINIMUM 600# HYDRAULIC HAMMER. USE THE FOLLOWING REFUSAL CRITERIA BASED ON THE SIZE OF HAMMER UTILIZED:  
600# HAMMER/1000 BLOWS PER MINUTE/12 SECONDS PER INCH  
850# HAMMER/900 BLOWS PER MINUTE/10 SECONDS PER INCH  
1100# HAMMER/900 BLOWS PER MINUTE/6 SECONDS PER INCH  
THIS DRIVING CRITERIA WILL BE VERIFIED BY A STATIC LOAD TEST PROGRAM.

- CONCRETE: 3000 PSI @ 28 DAYS (2500 PSI USED FOR DESIGN)  
GRADE 40 REINFORCEMENT  
MINIMUM 3" COVER FOR ALL REINFORCEMENT EXCEPT AS NOTED AT RETAINING WALL OR OTHER DETAILS.

**TIMBER CONSTRUCTION DETAILS**

- LUMBER GRADES AND ALLOWABLE STRESSES SHALL BE AS FOLLOWS UNLESS NOTED OTHERWISE ON PLANS:  
ALL SAWN LUMBER HF#2 OR BETTER, F<sub>b</sub> = 875 PSI, F<sub>v</sub> = 75 PSI, E = 1,300,000  
GLULAM BEAMS 24F-V4, F<sub>b</sub> = 2400 PSI, F<sub>v</sub> = 165 PSI, E = 1,800,000  
MICROLAM, LVL F<sub>b</sub> = 2600 PSI, F<sub>v</sub> = 285 PSI, E = 1,900,000  
PARALLAMS, PSL F<sub>b</sub> = 2600 PSI, F<sub>v</sub> = 290 PSI, E = 2,900,000
- WHEN TOP PLATE IS INTERRUPTED BY HEADER, HEADER SHALL HAVE STRAP CONNECTORS TO THE TOP PLATE EACH END. USE 2-SIMPSON MSTA24 CONNECTORS, UNLESS NOTED OTHERWISE.
- ALL SHEAR WALL SHEATHING, NAILS AND ANCHORS SHALL BE AS DETAILED ON THE DRAWINGS AND AS NOTED IN THE SHEAR WALL SCHEDULE.
- FLOOR SHEATHING SHALL BE 7/16" MINIMUM APA RATED FLOOR SHEATHING WITH 10d COMMON @ 6"OC AT ALL SUPPORTED PANEL EDGES AND 10d @ 12"OC AT INTERMEDIATE SUPPORTS.
- ROOF SHEATHING SHALL BE 7/16" MINIMUM APA RATED ROOF SHEATHING WITH 8d COMMON @ 6"OC AT ALL SUPPORTED PANEL EDGES AND 8d @ 12"OC AT INTERMEDIATE SUPPORTS.

**GENERAL CONSTRUCTION NOTES**

- CONTRACTOR SHALL VERIFY ALL DIMENSIONS IN THE FIELD. ANY VARIATIONS FROM THE DRAWINGS SHALL BE BROUGHT TO THE ATTENTION OF THE DESIGNER OR THE ENGINEER OF RECORD.
- ADEQUATE SHORING AND BRACING OF ALL STRUCTURAL MEMBERS DURING CONSTRUCTION SHALL BE PROVIDED.
- ANY PROPOSED FIELD CHANGES MUST HAVE THE APPROVAL OF THE ENGINEER OF RECORD PRIOR TO CONSTRUCTION.

**SHEAR WALL SCHEDULE**

SHEAR WALL TYPE	SHEATHING (NOTE 5)	FASTENER SPACING (COMMON OR GALVANIZED BOX NAILS)	BOTTOM PLATE NAILING OR ANCHOR BOLTS	FRAMING ANCHORS (NOTES 7 & 8)	ALLOWABLE SHEAR	NOTES
1A	7/16" MIN. APA RATED SHEATHING OR APA RATED SIDING 303 ONE SIDE	8d @ 6" OC	16d @ 8" OC OR 1/2" A.B. @ 5'-6" OC	RBC @ 32" OC LTP4 @ 48" OC A35 @ 48" OC	130 PLF	1, 2, 3, 11
1	7/16" MIN. APA RATED SHEATHING OR APA RATED SIDING 303 ONE SIDE	8d @ 6" OC	16d @ 6" OC OR 1/2" A.B. @ 3'-2" OC OR 3/8" A.B. @ 5'-0" OC	RBC @ 18" OC LTP4 @ 30" OC A35 @ 30" OC	242 PLF	1, 2, 3, 11
2	7/16" MIN. APA RATED SHEATHING OR APA RATED SIDING 303 ONE SIDE	8d @ 4" OC	16d @ 4" OC OR 1/2" A.B. @ 2'-2" OC OR 3/8" A.B. @ 3'-4" OC	RBC @ 12" OC LTP4 @ 18" OC A35 @ 18" OC	353 PLF	1, 2, 3, 11
3	7/16" MIN. APA RATED SHEATHING OR APA RATED SIDING 303 ONE SIDE	8d @ 3" OC	1/2" X 5" LAG SCREW @ 6"OC OR 1/2" A.B. @ 3'-2" OC OR 3/8" A.B. @ 5'-0" OC	RBC @ 10" OC LTP4 @ 15" OC A35 @ 15" OC	456 PLF	1, 2, 3, 4, 9, 10, 11
4	7/16" MIN. APA RATED SHEATHING OR APA RATED SIDING 303 ONE SIDE	10d @ 3" OC	1/2" X 5" LAG SCREW @ 6"OC OR 1/2" A.B. @ 1'-4" OC OR 3/8" A.B. @ 2'-0" OC	RBC @ 8" OC LTP4 @ 12" OC A35 @ 12" OC	558 PLF	1, 2, 3, 4, 9, 10, 11
5	7/16" MIN. APA RATED SHEATHING OR APA RATED SIDING 303 ONE SIDE	10d @ 2" OC	1/2" X 5" LAG SCREW @ 5"OC OR 1/2" A.B. @ 1'-0" OC OR 3/8" A.B. @ 1'-8" OC	RBC @ 6" OC LTP4 @ 10" OC A35 @ 10" OC	716 PLF	1, 2, 3, 4, 9, 10, 11
6	19/32" MIN. APA RATED SHEATHING OR APA RATED SIDING 303 BOTH SIDES	10d @ 2" OC	1/2" X 5" LAG SCREW @ 2"OC OR 1/2" A.B. @ 1'-0" OC	LTP4 @ 6" OC A35 @ 6" OC	1618 PLF	1, 2, 3, 4, 6, 9, 10, 11

1. ALL FASTENERS SHALL MEET THE FOLLOWING CRITERIA: 8d COMMON = 0.131" DIAMETER X 2 1/2", 8d GALVANIZED BOX = 0.113 DIAMETER X 2 1/2", 10d COMMON = 0.148 DIAMETER X 3", 10d GALVANIZED BOX = 0.128" X 3", 16d COMMON = 0.162" X 3 1/2".

2. PANEL EDGES SHALL BE BACKED WITH 2" NOMINAL OR WIDER FRAMING. SPACE FASTENERS @ 12" OC ON INTERMEDIATE SUPPORTS.

3. PROVIDE ALL ANCHOR BOLTS WITH 3" X 3" X 1/4" PLATE WASHERS. LOCATE WITHIN 1/2" OF SHEATHING.

4. AT GARAGE JAMBS, REFER TO LATERAL RESTRAINT PANEL DETAIL 401/S1.

5. PROVIDE 7/16" APA RATED SHEATHING (PLYWOOD OR OSB) OR APA RATED SIDING 303 OR INNER SEAL OSB RATED PANEL SIDING ON ALL EXTERIOR WALLS DESIGNATED AS SHEAR WALLS.

6. WHERE PANELS ARE APPLIED ON BOTH SIDES OF A WALL AND NAIL SPACING IS LESS THAN 6" OC ON EITHER SIDE, PANEL JOINTS SHALL BE OFFSET TO FALL ON DIFFERENT FRAMING MEMBERS OR FRAMING SHALL BE 3" NOMINAL OR THICKER AND NAILS ON EACH SIDE SHALL BE STAGGERED.

7. REFER TO TYPICAL SHEAR WALL DETAILS ON STRUCTURAL DETAIL SHEET FOR LOCATION OF FRAMING ANCHORS.

8. AT UPPER FLOOR INTERIOR SHEAR WALLS, REFER TO DETAIL 303/S2 OR 304/S2.

9. AT SHEAR WALL TYPES 3, 4, 5 AND 6, ALL FRAMING MEMBERS RECEIVING EDGE NAILING FROM ABUTTING PANELS SHALL NOT BE LESS THAN A SINGLE 3X MEMBER OR (2) 2X MEMBERS. FOR EXAMPLE, PROVIDE A 3X STUD AT VERTICAL JOINTS IN THE SHEATHING.

10. AT SHEAR WALL TYPES 3, 4, 5 AND 6, FOUNDATION SILL PLATES AND BOTTOM PLATES OF SHEAR WALLS SHALL NOT BE LESS THAN A SINGLE 3X MEMBER OR (2) 2X MEMBERS. ALSO, PROVIDE A 3X MINIMUM WIDTH MEMBER BELOW SHEAR WALL TO RECEIVE LAG SCREWS SUCH AS A 3X RIM JOIST, 3X JOIST OR BEAM OR BLOCKING BELOW SHEAR WALL.

11. FASTENERS AT PRESSURE PRESERVATIVE AND FIRE RETARDANT TREATED WOOD SHALL BE STAINLESS STEEL, G185 HDG, BATCH/POST HOT-DIP GALVANIZED OR MECHANICALLY GALVANIZED.

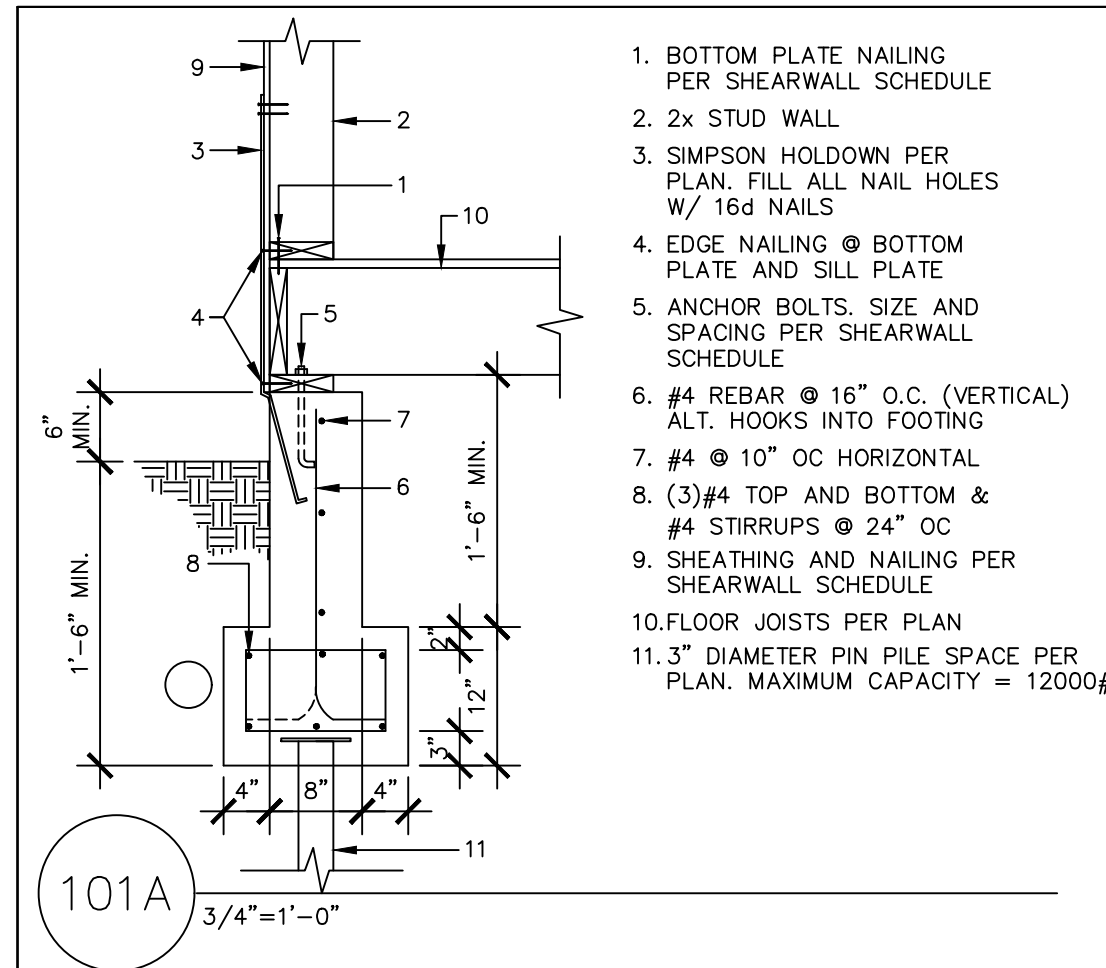
**FOOTING SCHEDULE**

MARK	SIZE	DEPTH	REINFORCING	ALLOWABLE LOAD
18	18"x18"	8"	(2) #4 EACH WAY	3375#
24	24"x24"	10"	(3) #4 EACH WAY	6000#
30	30"x30"	10"	(3) #5 EACH WAY	9375#
36	36"x36"	10"	(3) #5 EACH WAY	13500#
42	42"x42"	10"	(3) #5 EACH WAY	18375#
48	48"x48"	12"	(4) #5 EACH WAY	24000#
54	54"x54"	12"	(5) #5 EACH WAY	30375#
60	60"x60"	12"	(5) #5 EACH WAY	37500#
66	66"x66"	12"	(6) #5 EACH WAY	45375#
72	72"x72"	12"	(7) #5 EACH WAY	54000#

NOTE:  
FOOTING DESIGN IS BASED ON 2500 PSI CONCRETE AND AN ALLOWABLE SOIL BEARING PRESSURE OF 1500 PSF

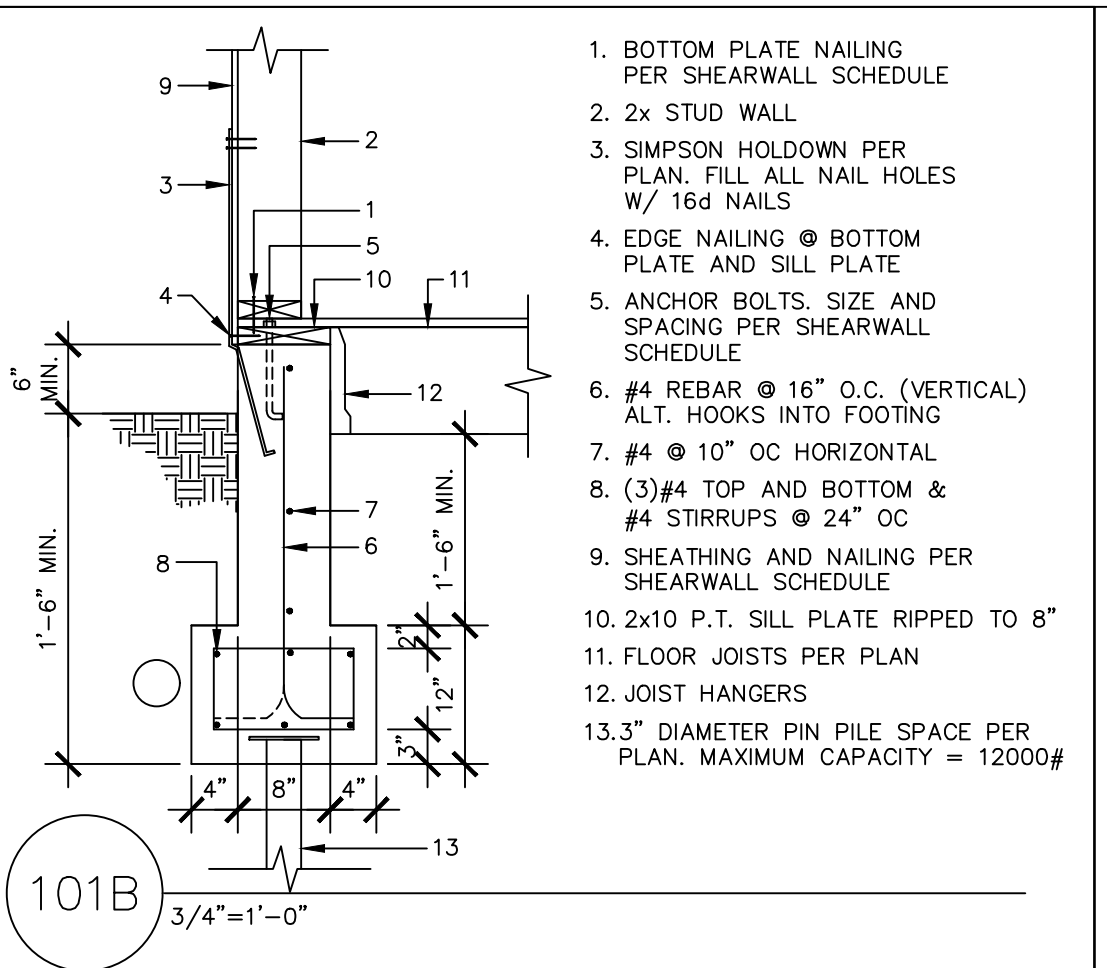


MDT ENGINEERING  
 31403 - 44th AVE S  
 AUBURN, WA, 98001  
 PHONE: (253) 709-9852  
 EMAIL: md.thompson@earthlink.net



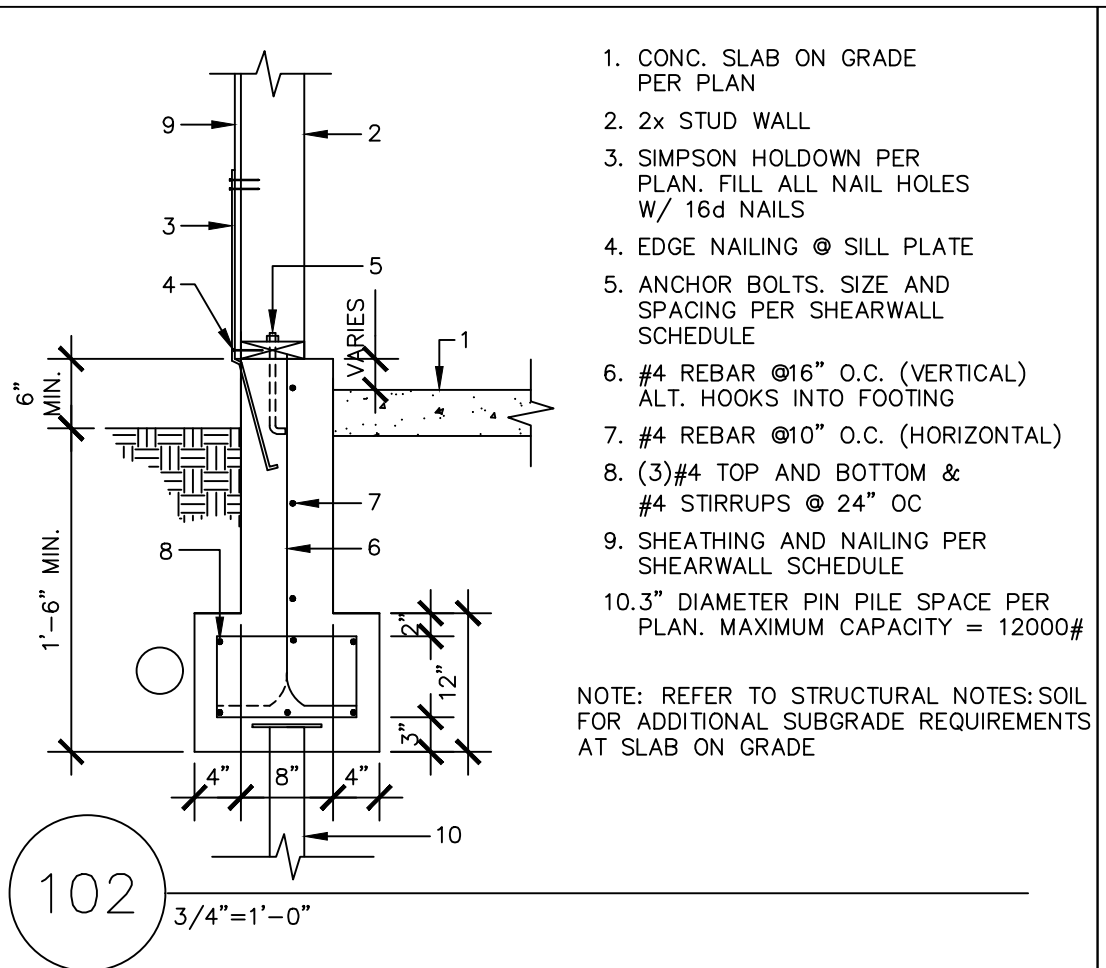
- BOTTOM PLATE NAILING PER SHEARWALL SCHEDULE
- 2x STUD WALL
- SIMPSON HOLDOWN PER PLAN. FILL ALL NAIL HOLES W/ 16d NAILS
- EDGE NAILING @ BOTTOM PLATE AND SILL PLATE
- ANCHOR BOLTS. SIZE AND SPACING PER SHEARWALL SCHEDULE
- #4 REBAR @ 16" O.C. (VERTICAL) ALT. HOOKS INTO FOOTING
- #4 @ 10" OC HORIZONTAL
- (3)#4 TOP AND BOTTOM & #4 STIRRUPS @ 24" OC
- SHEATHING AND NAILING PER SHEARWALL SCHEDULE
- FLOOR JOISTS PER PLAN
- 3" DIAMETER PIN PILE SPACE PER PLAN. MAXIMUM CAPACITY = 12000#

101A 3/4"=1'-0"



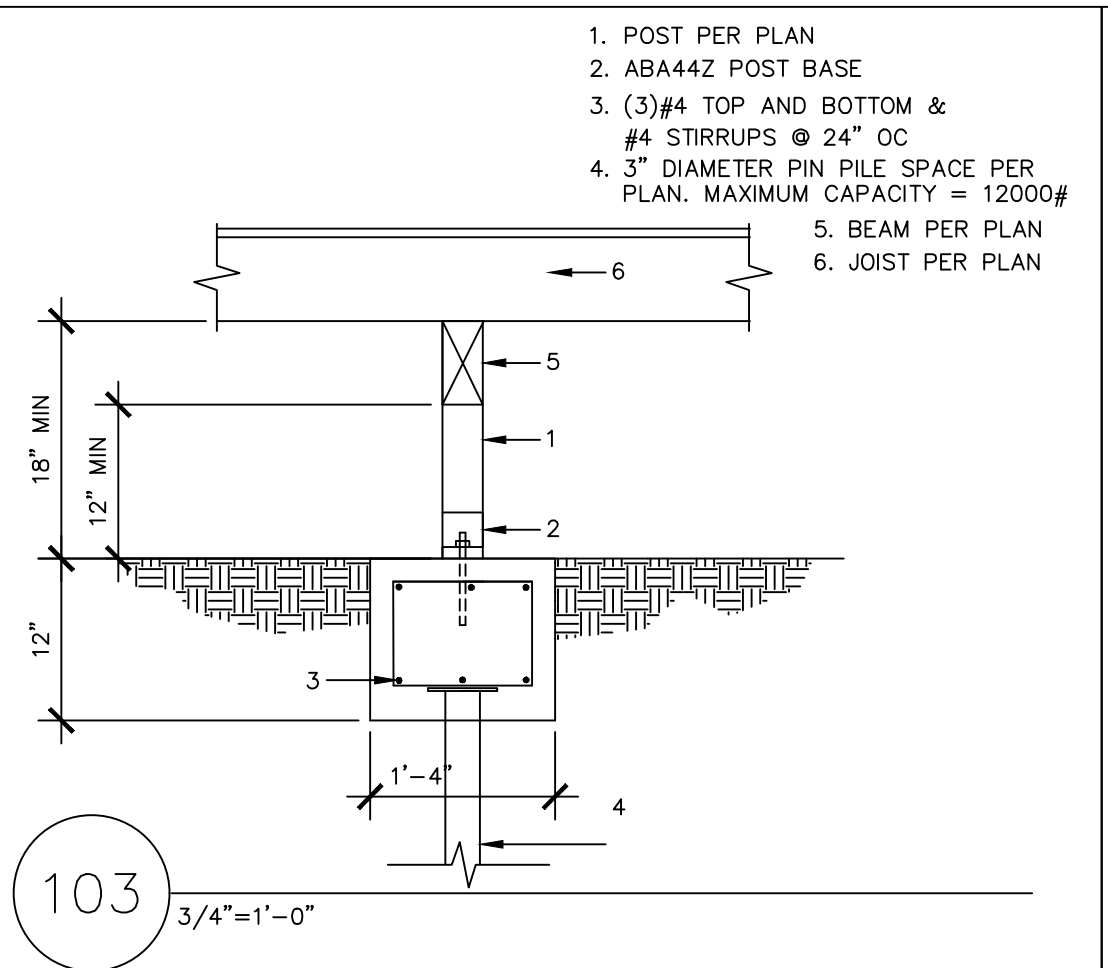
- BOTTOM PLATE NAILING PER SHEARWALL SCHEDULE
- 2x STUD WALL
- SIMPSON HOLDOWN PER PLAN. FILL ALL NAIL HOLES W/ 16d NAILS
- EDGE NAILING @ BOTTOM PLATE AND SILL PLATE
- ANCHOR BOLTS. SIZE AND SPACING PER SHEARWALL SCHEDULE
- #4 REBAR @ 16" O.C. (VERTICAL) ALT. HOOKS INTO FOOTING
- #4 @ 10" OC HORIZONTAL
- (3)#4 TOP AND BOTTOM & #4 STIRRUPS @ 24" OC
- SHEATHING AND NAILING PER SHEARWALL SCHEDULE
- 2x10 P.T. SILL PLATE RIPPED TO 8"
- FLOOR JOISTS PER PLAN
- JOIST HANGERS
- 3" DIAMETER PIN PILE SPACE PER PLAN. MAXIMUM CAPACITY = 12000#

101B 3/4"=1'-0"



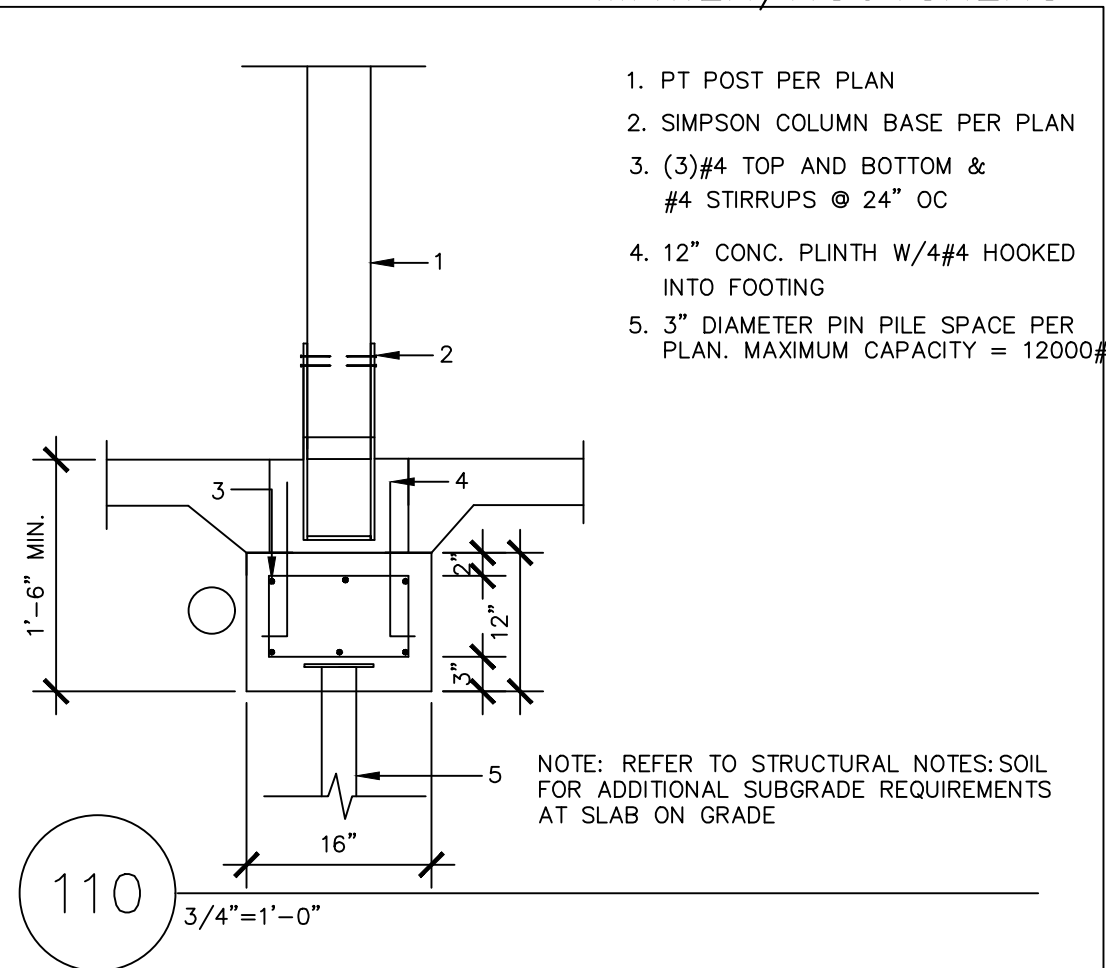
- CONC. SLAB ON GRADE PER PLAN
  - 2x STUD WALL
  - SIMPSON HOLDOWN PER PLAN. FILL ALL NAIL HOLES W/ 16d NAILS
  - EDGE NAILING @ SILL PLATE
  - ANCHOR BOLTS. SIZE AND SPACING PER SHEARWALL SCHEDULE
  - #4 REBAR @ 16" O.C. (VERTICAL) ALT. HOOKS INTO FOOTING
  - #4 @ 10" O.C. (HORIZONTAL)
  - (3)#4 TOP AND BOTTOM & #4 STIRRUPS @ 24" OC
  - SHEATHING AND NAILING PER SHEARWALL SCHEDULE
  - 10.3" DIAMETER PIN PILE SPACE PER PLAN. MAXIMUM CAPACITY = 12000#
- NOTE: REFER TO STRUCTURAL NOTES: SOIL FOR ADDITIONAL SUBGRADE REQUIREMENTS AT SLAB ON GRADE

102 3/4"=1'-0"



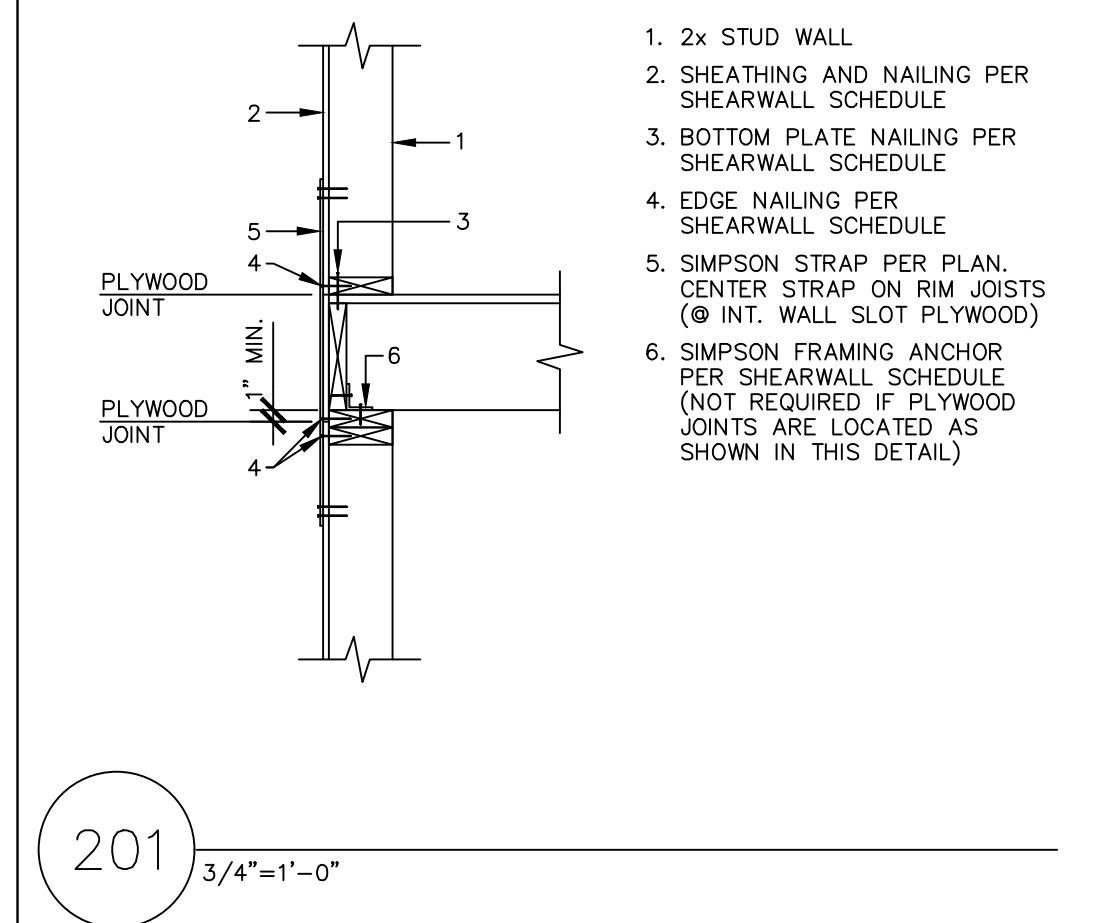
- POST PER PLAN
- ABA442 POST BASE
- (3)#4 TOP AND BOTTOM & #4 STIRRUPS @ 24" OC
- 3" DIAMETER PIN PILE SPACE PER PLAN. MAXIMUM CAPACITY = 12000#
- BEAM PER PLAN
- JOIST PER PLAN

103 3/4"=1'-0"



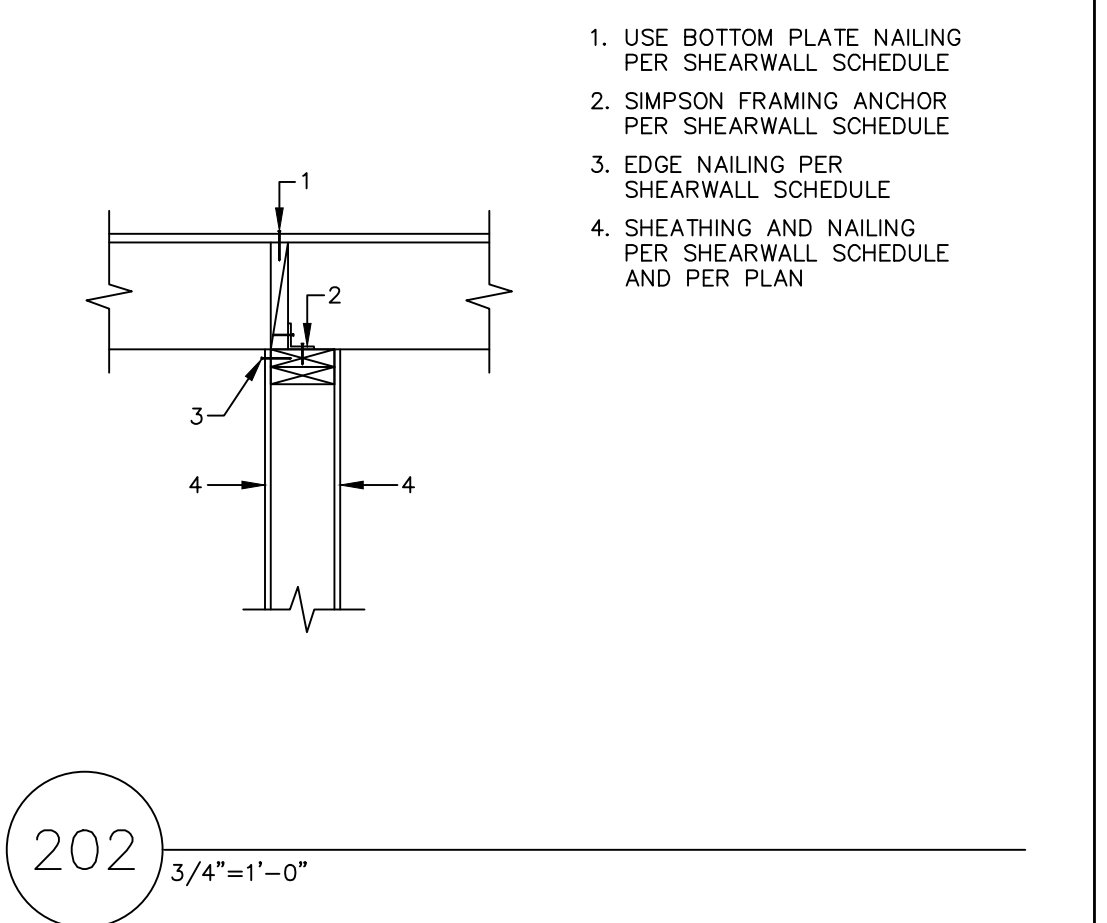
- PT POST PER PLAN
  - SIMPSON COLUMN BASE PER PLAN
  - (3)#4 TOP AND BOTTOM & #4 STIRRUPS @ 24" OC
  - 12" CONC. PLINTH W/#4 HOOKED INTO FOOTING
  - 3" DIAMETER PIN PILE SPACE PER PLAN. MAXIMUM CAPACITY = 12000#
- NOTE: REFER TO STRUCTURAL NOTES: SOIL FOR ADDITIONAL SUBGRADE REQUIREMENTS AT SLAB ON GRADE

110 3/4"=1'-0"



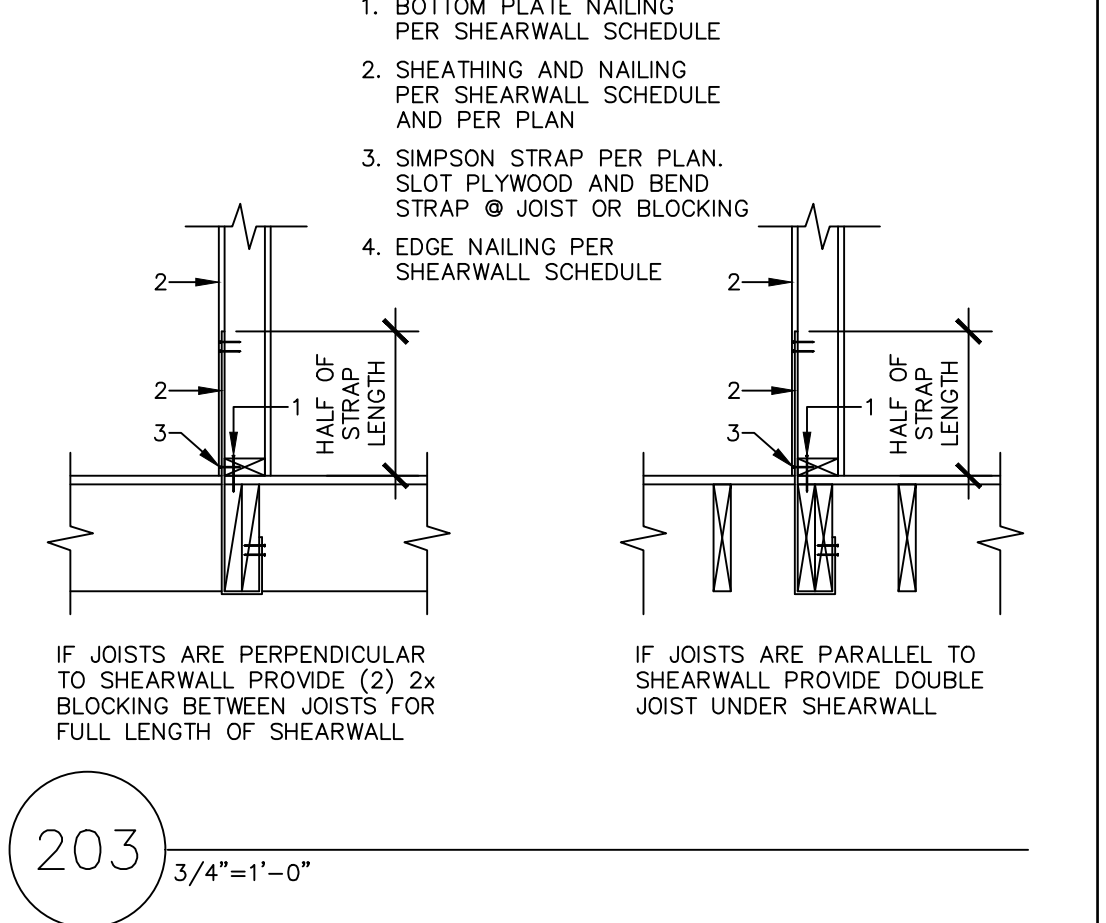
- 2x STUD WALL
- SHEATHING AND NAILING PER SHEARWALL SCHEDULE
- BOTTOM PLATE NAILING PER SHEARWALL SCHEDULE
- EDGE NAILING PER SHEARWALL SCHEDULE
- SIMPSON STRAP PER PLAN. CENTER STRAP ON RIM JOISTS (@ INT. WALL SLOT PLYWOOD)
- SIMPSON FRAMING ANCHOR PER SHEARWALL SCHEDULE (NOT REQUIRED IF PLYWOOD JOINTS ARE LOCATED AS SHOWN IN THIS DETAIL)

201 3/4"=1'-0"



- USE BOTTOM PLATE NAILING PER SHEARWALL SCHEDULE
- SIMPSON FRAMING ANCHOR PER SHEARWALL SCHEDULE
- EDGE NAILING PER SHEARWALL SCHEDULE
- SHEATHING AND NAILING PER SHEARWALL SCHEDULE AND PER PLAN

202 3/4"=1'-0"

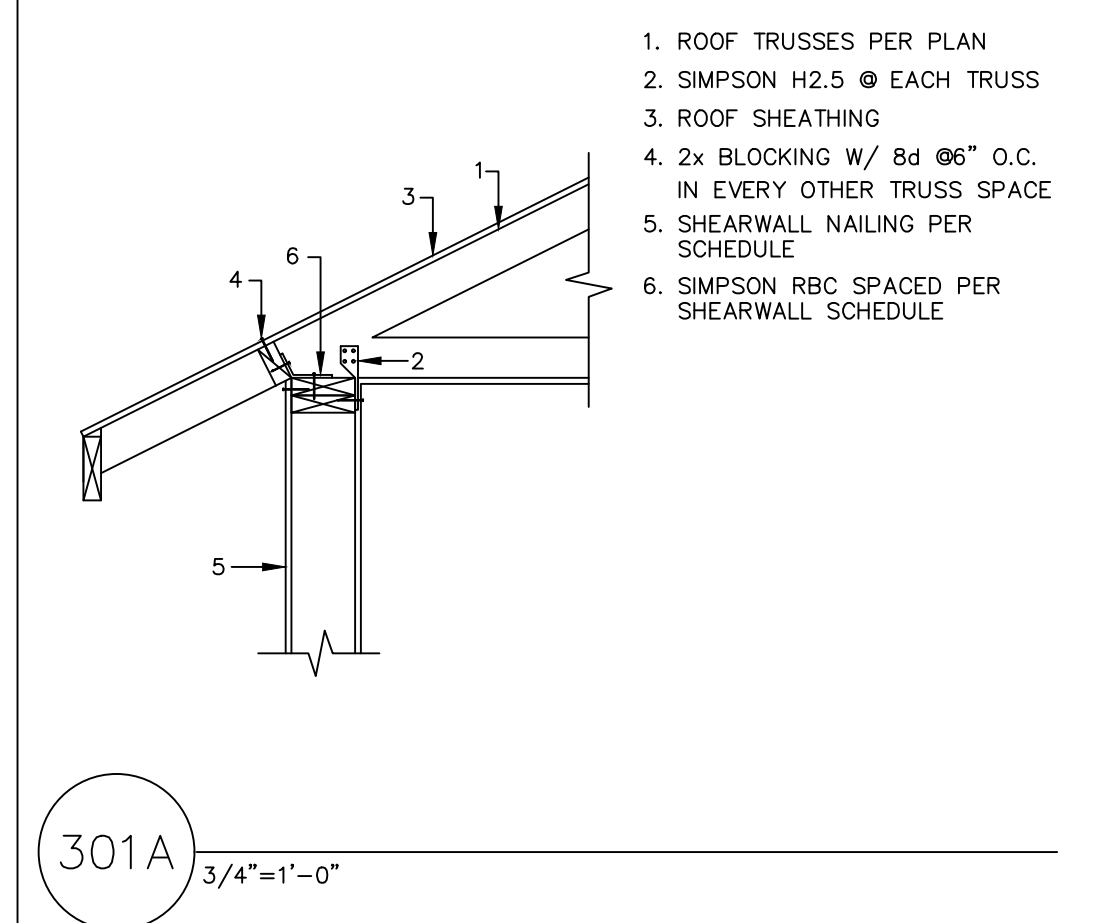


- BOTTOM PLATE NAILING PER SHEARWALL SCHEDULE
- SHEATHING AND NAILING PER SHEARWALL SCHEDULE AND PER PLAN
- SIMPSON STRAP PER PLAN. SLOT PLYWOOD AND BEND STRAP @ JOIST OR BLOCKING
- EDGE NAILING PER SHEARWALL SCHEDULE

203 3/4"=1'-0"

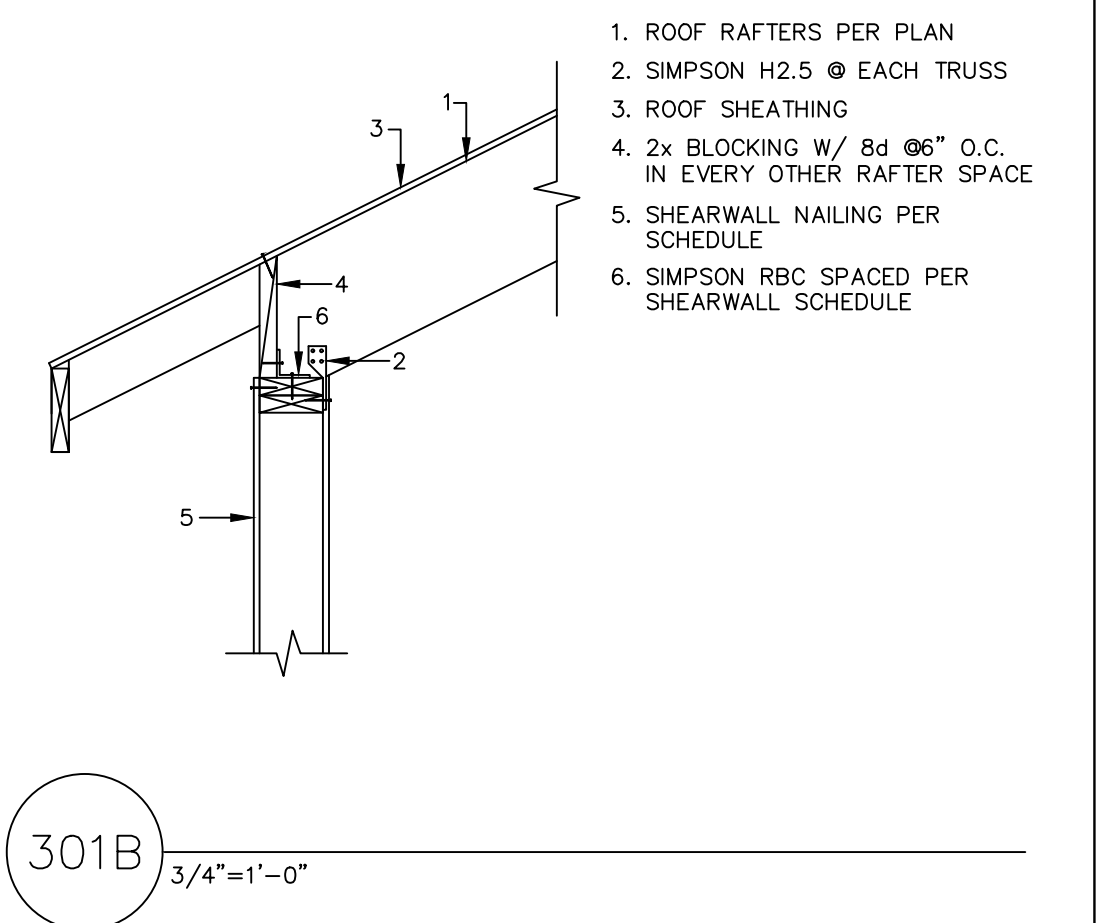
IF JOISTS ARE PERPENDICULAR TO SHEARWALL PROVIDE (2) 2x BLOCKING BETWEEN JOISTS FOR FULL LENGTH OF SHEARWALL

IF JOISTS ARE PARALLEL TO SHEARWALL PROVIDE DOUBLE JOIST UNDER SHEARWALL



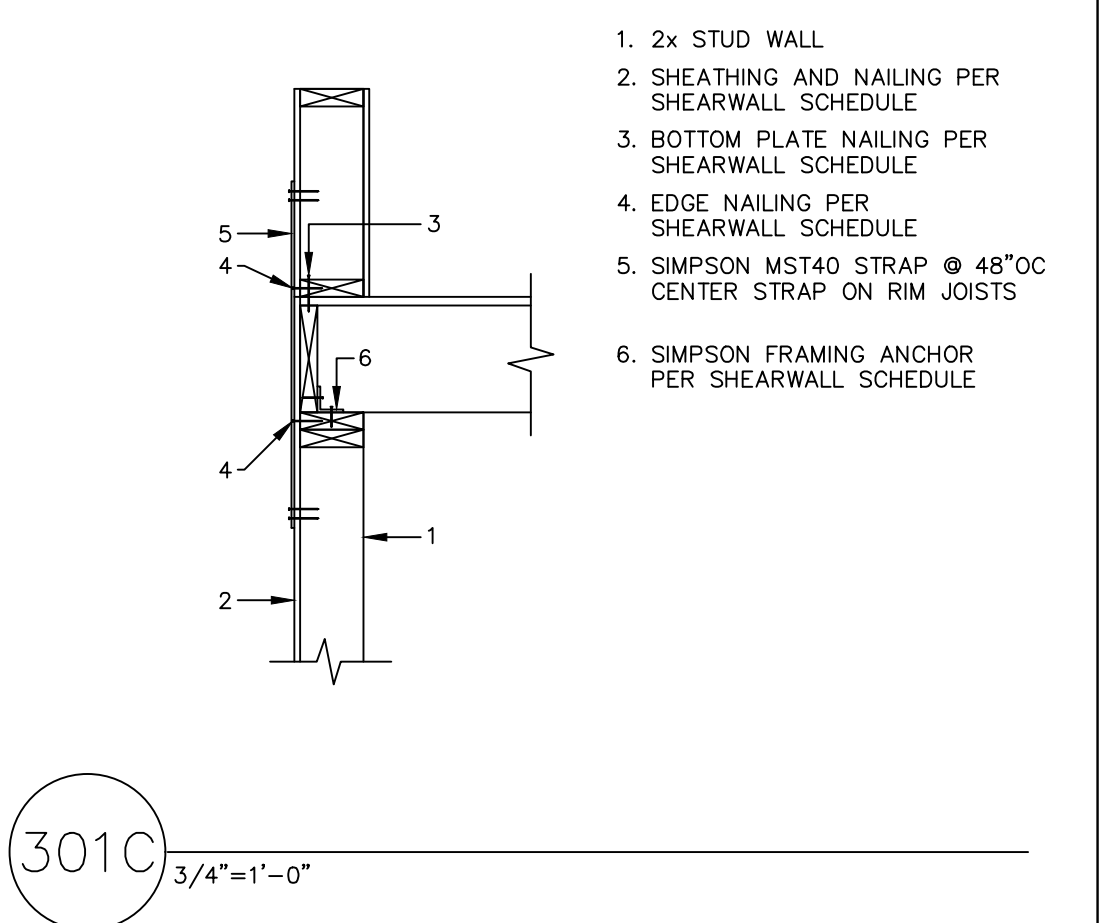
- ROOF TRUSSES PER PLAN
- SIMPSON H2.5 @ EACH TRUSS
- ROOF SHEATHING
- 2x BLOCKING W/ 8d @ 6" O.C. IN EVERY OTHER TRUSS SPACE
- SHEARWALL NAILING PER SCHEDULE
- SIMPSON RBC SPACED PER SHEARWALL SCHEDULE

301A 3/4"=1'-0"



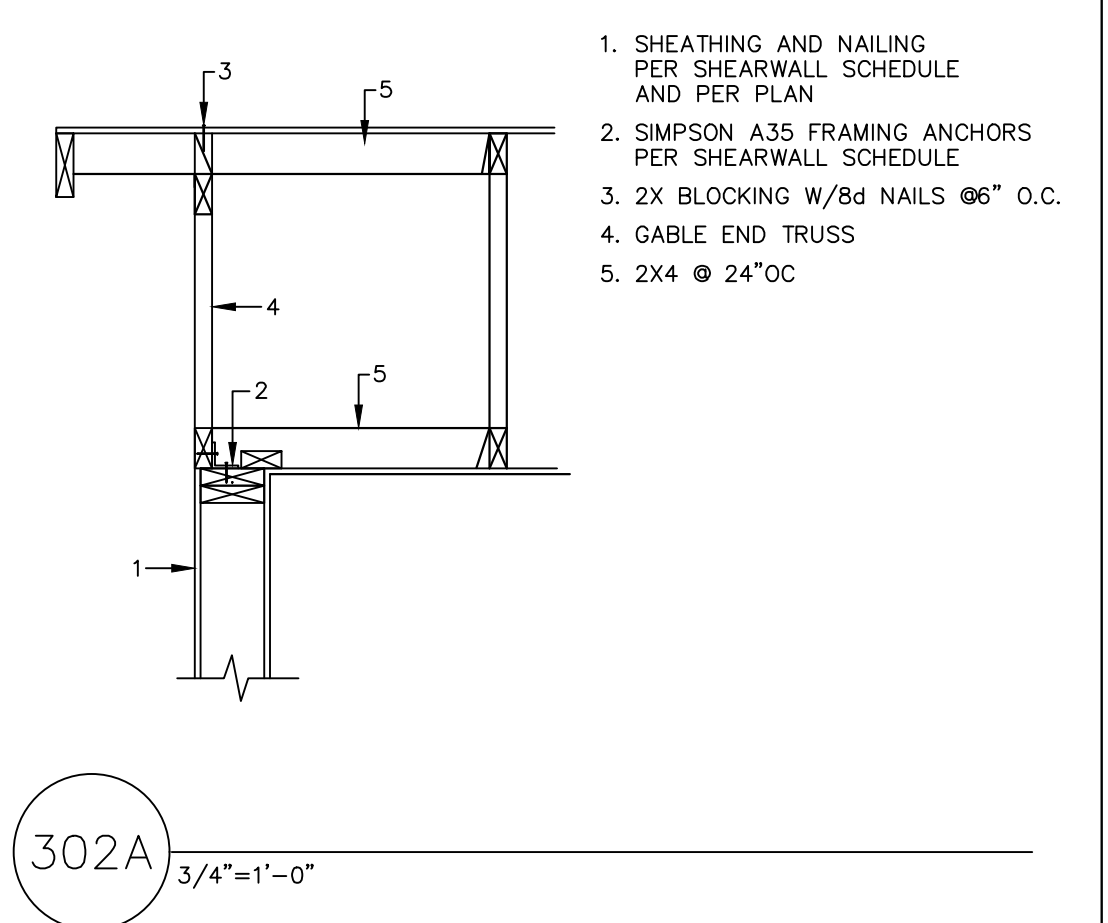
- ROOF RAFTERS PER PLAN
- SIMPSON H2.5 @ EACH TRUSS
- ROOF SHEATHING
- 2x BLOCKING W/ 8d @ 6" O.C. IN EVERY OTHER RAFTER SPACE
- SHEARWALL NAILING PER SCHEDULE
- SIMPSON RBC SPACED PER SHEARWALL SCHEDULE

301B 3/4"=1'-0"



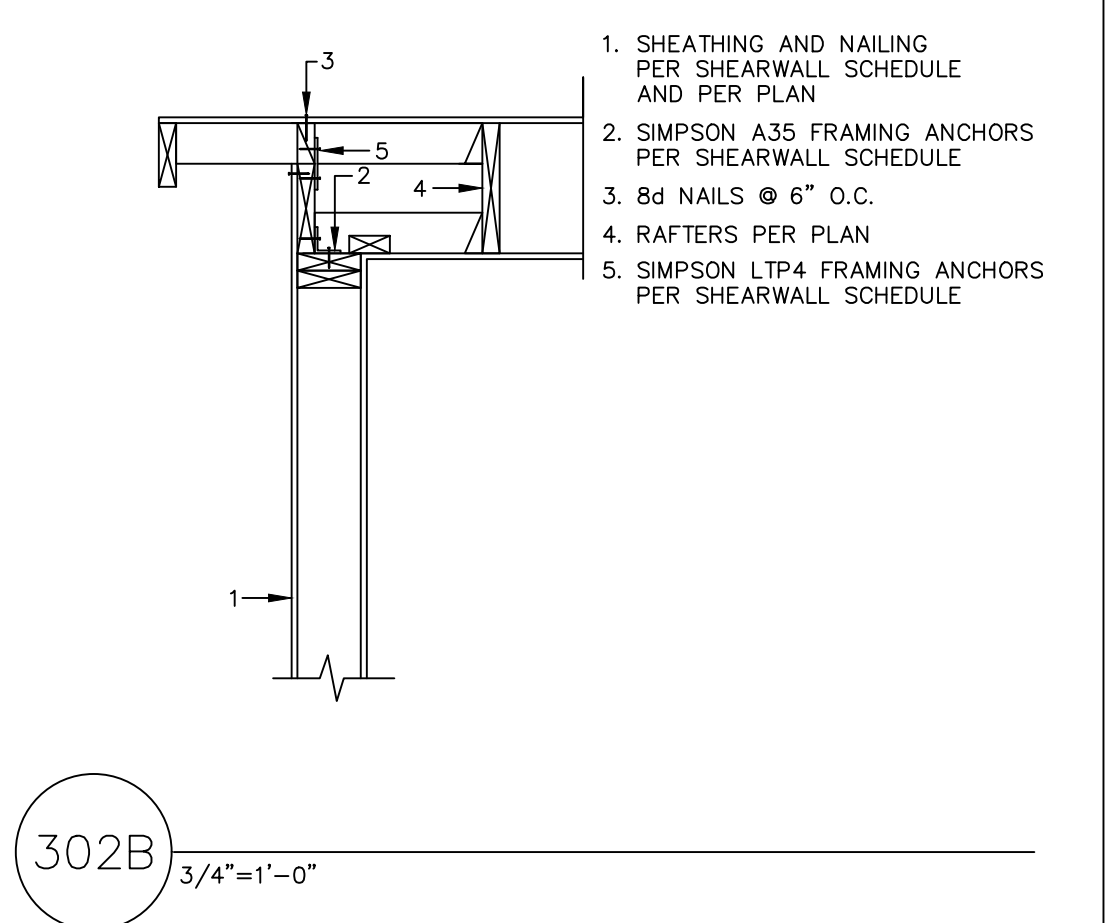
- 2x STUD WALL
- SHEATHING AND NAILING PER SHEARWALL SCHEDULE
- BOTTOM PLATE NAILING PER SHEARWALL SCHEDULE
- EDGE NAILING PER SHEARWALL SCHEDULE
- SIMPSON MST40 STRAP @ 48" OC CENTER STRAP ON RIM JOISTS
- SIMPSON FRAMING ANCHOR PER SHEARWALL SCHEDULE

301C 3/4"=1'-0"



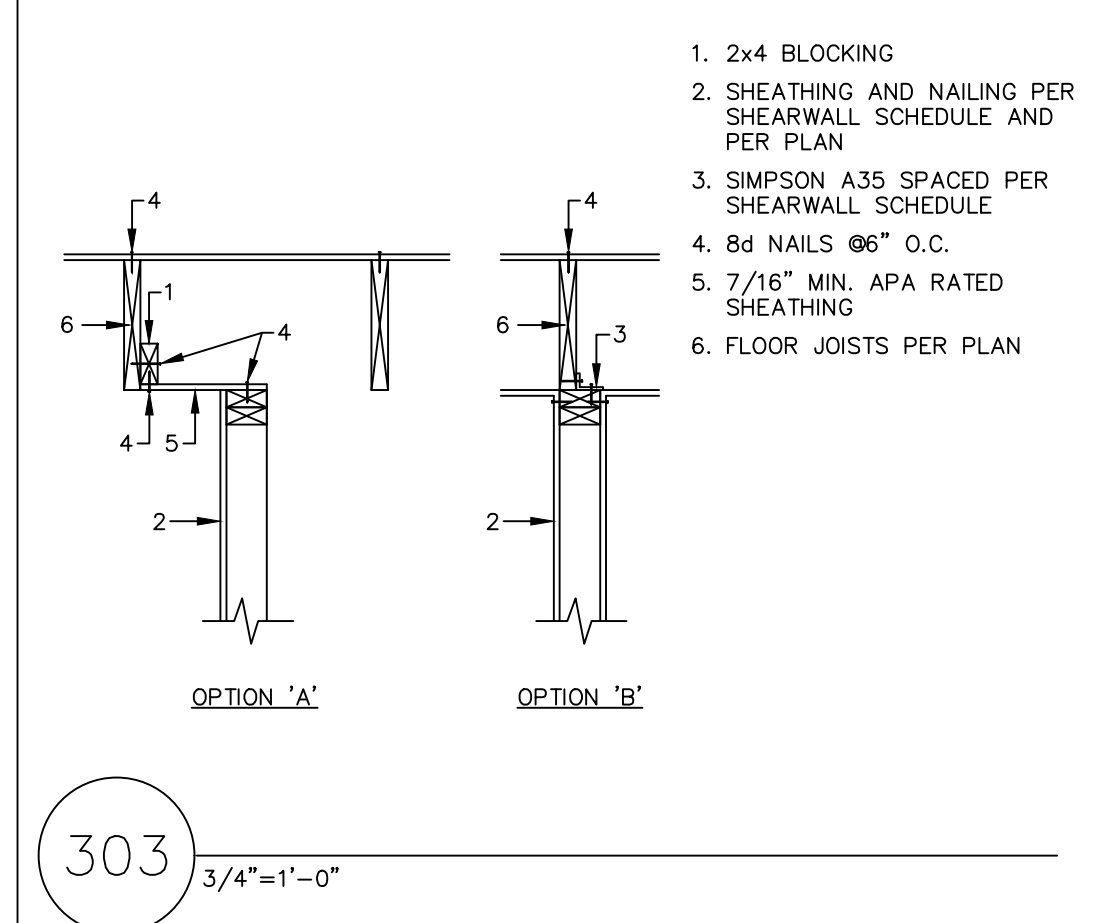
- SHEATHING AND NAILING PER SHEARWALL SCHEDULE AND PER PLAN
- SIMPSON A35 FRAMING ANCHORS PER SHEARWALL SCHEDULE
- 2x BLOCKING W/ 8d NAILS @ 6" O.C.
- GABLE END TRUSS
- 2x4 @ 24" OC

302A 3/4"=1'-0"



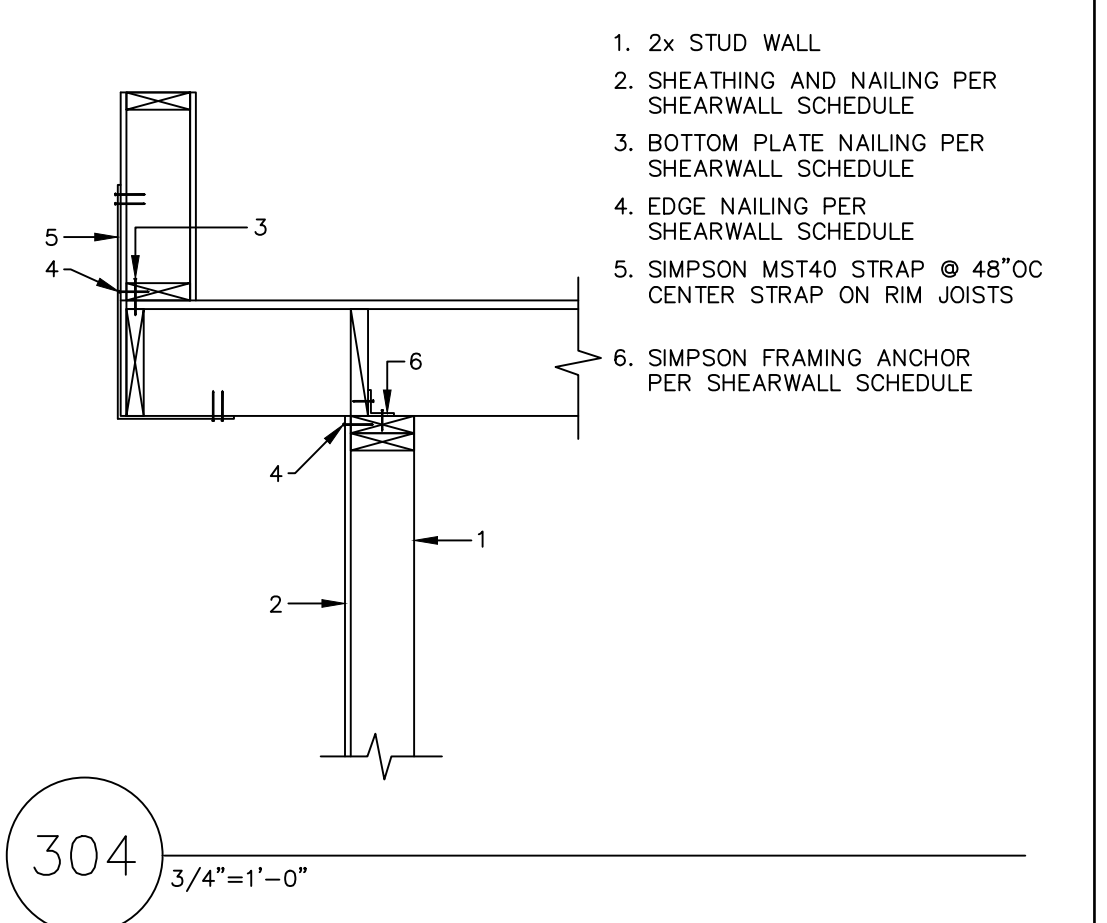
- SHEATHING AND NAILING PER SHEARWALL SCHEDULE AND PER PLAN
- SIMPSON A35 FRAMING ANCHORS PER SHEARWALL SCHEDULE
- 8d NAILS @ 6" O.C.
- RAFTERS PER PLAN
- SIMPSON LTP4 FRAMING ANCHORS PER SHEARWALL SCHEDULE

302B 3/4"=1'-0"



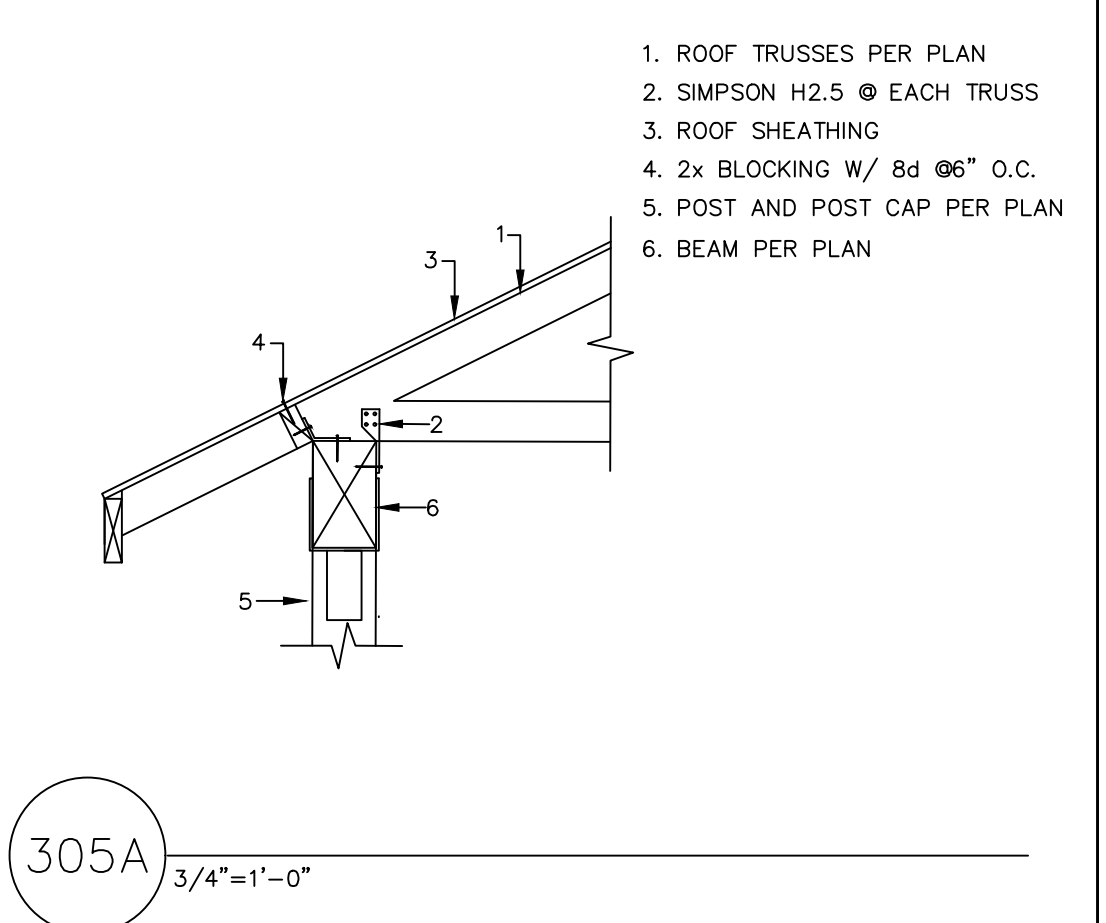
- 2x4 BLOCKING
  - SHEATHING AND NAILING PER SHEARWALL SCHEDULE AND PER PLAN
  - SIMPSON A35 SPACED PER SHEARWALL SCHEDULE
  - 8d NAILS @ 6" O.C.
  - 7/16" MIN. APA RATED SHEATHING
  - FLOOR JOISTS PER PLAN
- OPTION 'A'      OPTION 'B'

303 3/4"=1'-0"



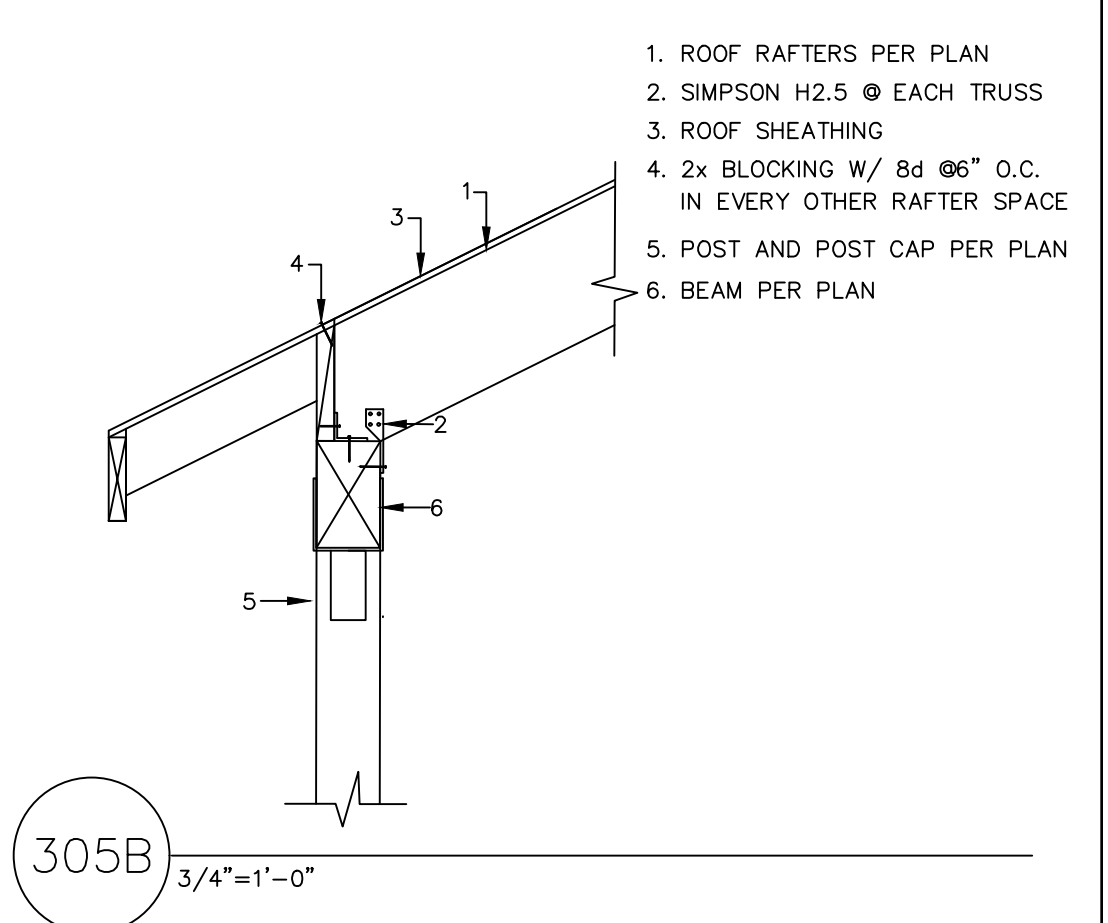
- 2x STUD WALL
- SHEATHING AND NAILING PER SHEARWALL SCHEDULE
- BOTTOM PLATE NAILING PER SHEARWALL SCHEDULE
- EDGE NAILING PER SHEARWALL SCHEDULE
- SIMPSON MST40 STRAP @ 48" OC CENTER STRAP ON RIM JOISTS
- SIMPSON FRAMING ANCHOR PER SHEARWALL SCHEDULE

304 3/4"=1'-0"



- ROOF TRUSSES PER PLAN
- SIMPSON H2.5 @ EACH TRUSS
- ROOF SHEATHING
- 2x BLOCKING W/ 8d @ 6" O.C.
- POST AND POST CAP PER PLAN
- BEAM PER PLAN

305A 3/4"=1'-0"

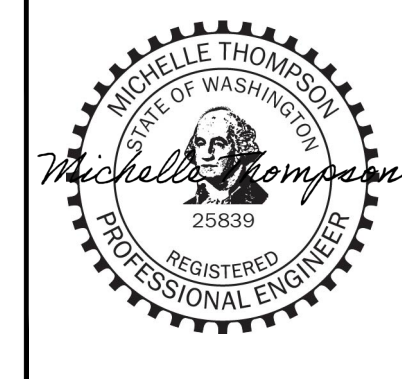


- ROOF RAFTERS PER PLAN
- SIMPSON H2.5 @ EACH TRUSS
- ROOF SHEATHING
- 2x BLOCKING W/ 8d @ 6" O.C. IN EVERY OTHER RAFTER SPACE
- POST AND POST CAP PER PLAN
- BEAM PER PLAN

305B 3/4"=1'-0"

REVISION DATES:  
 REV. 7-8-22  
 REV. 8-30-22  
 REV. 2-9-23

PROJECT: MAWER-HOUTCHENS	SHEET TITLE: STRUCTURAL DETAILS
SCALE: NO SCALE	DATE: 4-18-22
DRAWN BY: MDT	SHEET NO.:
PROJECT NO. MAWER/HOUTCHENS	S2

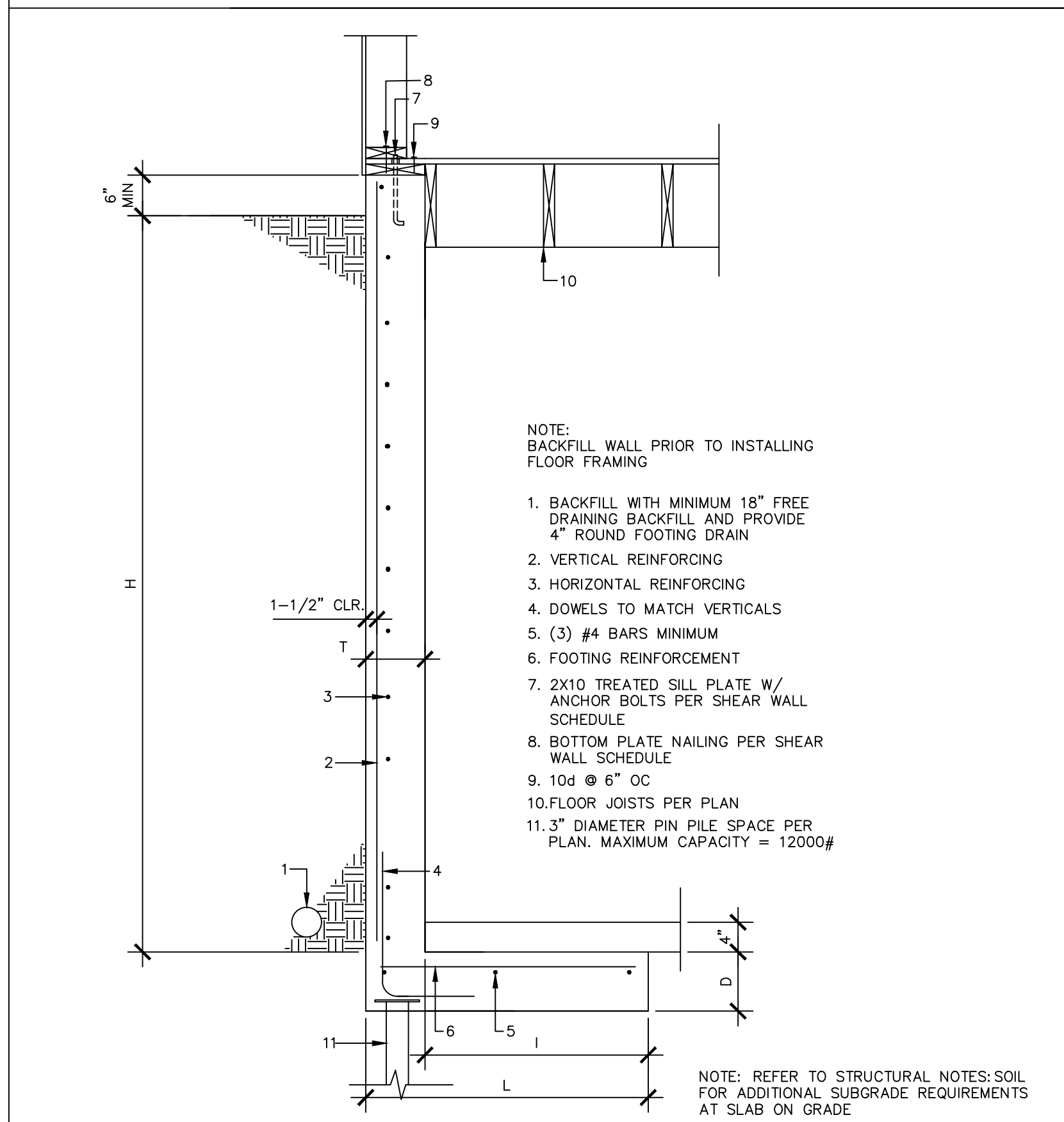


PROPERTY LINE CANTILEVERED RETAINING WALL SCHEDULE									CANTILEVERED RETAINING WALL SCHEDULE					CANTILEVERED RETAINING WALL SCHEDULE												
H	T	L	I	D	VERTICAL REINFORCING	HORIZONTAL REINFORCING	DOWELS	FOOTING REINFORCING	H	T	L	I	D	VERTICAL REINFORCING	HORIZONTAL REINFORCING	DOWELS	FOOTING REINFORCING	H	T	L	I	D	VERTICAL REINFORCING	HORIZONTAL REINFORCING	DOWELS	FOOTING REINFORCING
4'-0"	8"	2'-0"	1'-4"	9"	#4 @12" O.C.	#4 @12" O.C.	#4 @12" O.C.	#4 @12" O.C.	4'-0"	8"	2'-0"	8"	8"	#4 @12" O.C.	#4 @12" O.C.	#4 @12" O.C.	#4 @18" O.C.	4'-0"	8"	2'-0"	8"	8"	#4 @12" O.C.	#4 @12" O.C.	#4 @12" O.C.	#4 @18" O.C.
6'-0"	8"	3'-4"	2'-8"	9"	#4 @12" O.C.	#4 @12" O.C.	#4 @12" O.C.	#4 @12" O.C.	6'-0"	8"	2'-8"	1'-0"	9"	#4 @12" O.C.	#4 @12" O.C.	#4 @12" O.C.	#4 @18" O.C.	6'-0"	8"	2'-8"	1'-0"	9"	#4 @12" O.C.	#4 @12" O.C.	#4 @12" O.C.	#4 @18" O.C.
8'-0"	8"	5'-0"	4'-4"	10"	#5 @10" O.C.	#4 @12" O.C.	#5 @10" O.C.	#4 @10" O.C.	8'-0"	8"	3'-8"	1'-6"	10"	#5 @12" O.C.	#4 @12" O.C.	#5 @12" O.C.	#4 @10" O.C.	8'-0"	8"	3'-8"	1'-6"	10"	#5 @12" O.C.	#4 @12" O.C.	#5 @12" O.C.	#4 @10" O.C.
10'-0"	8"	7'-0"	6'-4"	12"	#6 @8" O.C.	#4 @12" O.C.	#6 @8" O.C.	#5 @12" O.C.	10'-0"	8"	5'-8"	2'-6"	10"	#5 @8" O.C.	#4 @12" O.C.	#5 @8" O.C.	#5 @8" O.C.	10'-0"	8"	5'-8"	2'-6"	10"	#5 @8" O.C.	#4 @12" O.C.	#5 @8" O.C.	#5 @8" O.C.
12'-0"	10"	8'-5"	7'-7"	13"	#7 @9" O.C.	#4 @10" O.C.	#7 @9" O.C.	#5 @12" O.C.	12'-0"	10"	6'-6"	2'-10"	11"	#6 @8" O.C.	#4 @8" O.C.	#6 @8" O.C.	#5 @10" O.C.	12'-0"	10"	6'-6"	2'-10"	11"	#6 @8" O.C.	#4 @8" O.C.	#6 @8" O.C.	#5 @10" O.C.

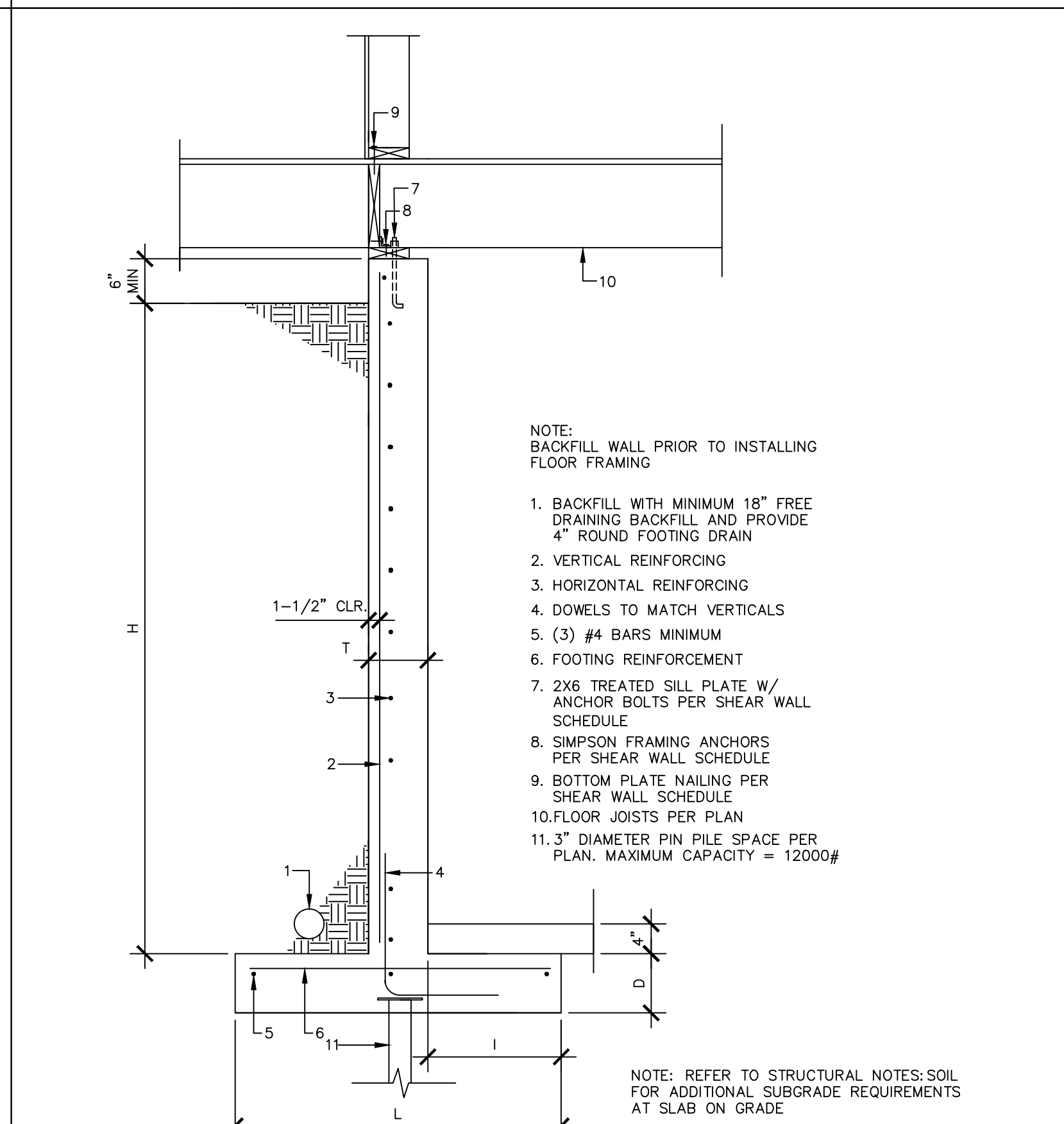
NOTES:  
 CONCRETE STRENGTH SHALL BE AT 2500 PSI @28 DAYS  
 REINFORCING BARS SHALL BE GRADE 40  
 LATERAL EARTH PRESSURE = 35 PCF WITH LEVEL BACKFILL  
 PASSIVE RESISTANCE = 350 PCF AND COEFFICIENT OF FRICTION = 0.35  
 PROVIDE FREE DRAINING GRANULAR BACKFILL FOR A MINIMUM OF 18" BEHIND RETAINING WALL  
 PROVIDE A MINIMUM 4" DIA. PERFORATED PIPE SURROUNDED IN PEA GRAVEL OR WASHED CLEAN GRAVEL (MINIMUM 9" COVER) AND SLOPED TO A STORM DRAIN SYSTEM OR OTHER APPROPRIATE OUTLET. PERIMETER DRAINS SHOULD BE PROVIDED WITH CLEANOUTS AS NECESSARY TO ALLOW PERIODIC INSPECTION AND MAINTENANCE OF DRAINS

NOTES:  
 CONCRETE STRENGTH SHALL BE AT 2500 PSI @28 DAYS  
 REINFORCING BARS SHALL BE GRADE 40  
 LATERAL EARTH PRESSURE = 35 PCF WITH LEVEL BACKFILL  
 PASSIVE RESISTANCE = 350 PCF AND COEFFICIENT OF FRICTION = 0.35  
 PROVIDE FREE DRAINING GRANULAR BACKFILL FOR A MINIMUM OF 18" BEHIND RETAINING WALL  
 PROVIDE A MINIMUM 4" DIA. PERFORATED PIPE SURROUNDED IN PEA GRAVEL OR WASHED CLEAN GRAVEL (MINIMUM 9" COVER) AND SLOPED TO A STORM DRAIN SYSTEM OR OTHER APPROPRIATE OUTLET. PERIMETER DRAINS SHOULD BE PROVIDED WITH CLEANOUTS AS NECESSARY TO ALLOW PERIODIC INSPECTION AND MAINTENANCE OF DRAINS

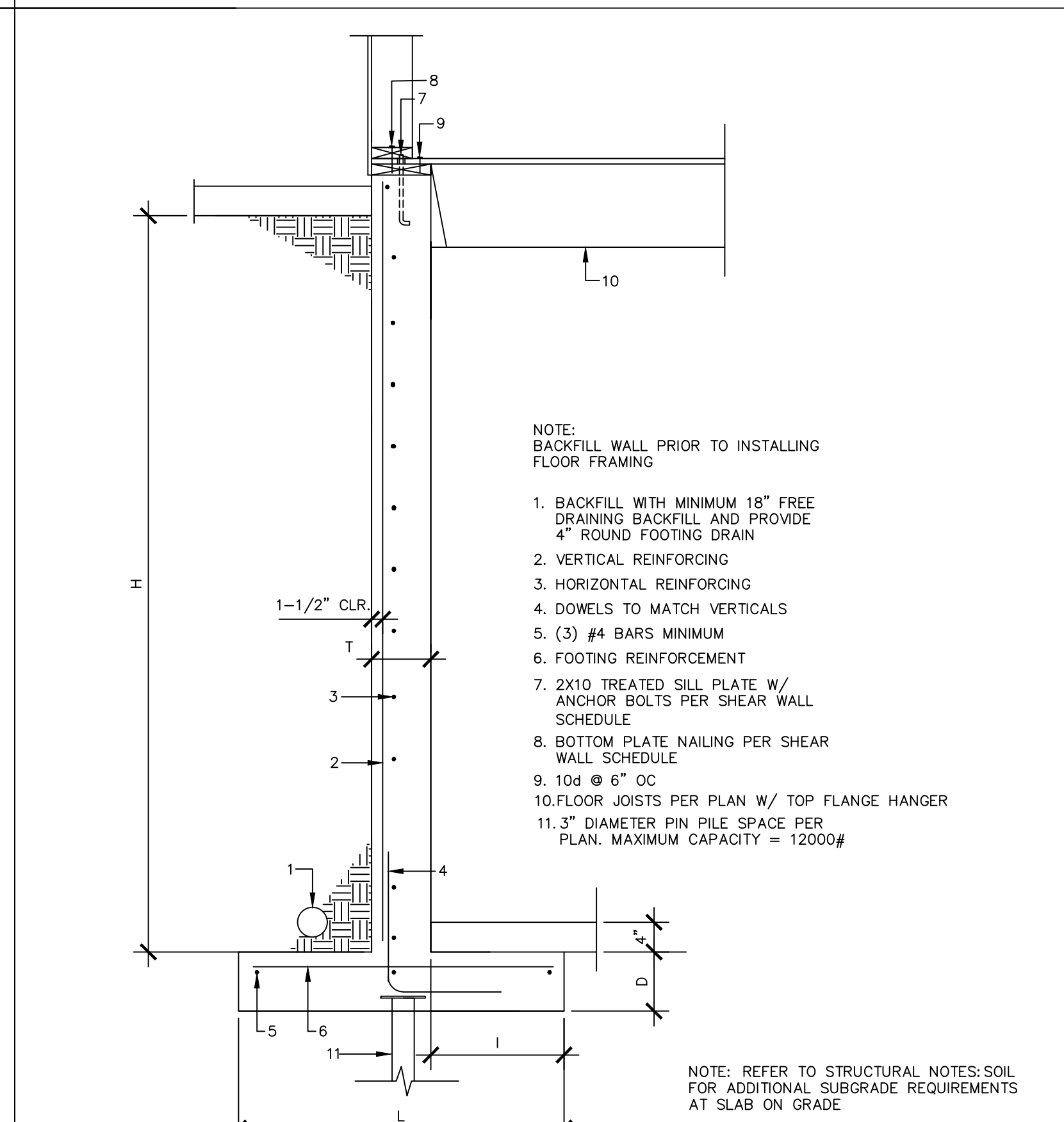
NOTES:  
 CONCRETE STRENGTH SHALL BE AT 2500 PSI @28 DAYS  
 REINFORCING BARS SHALL BE GRADE 40  
 LATERAL EARTH PRESSURE = 35 PCF WITH LEVEL BACKFILL  
 PASSIVE RESISTANCE = 350 PCF AND COEFFICIENT OF FRICTION = 0.35  
 PROVIDE FREE DRAINING GRANULAR BACKFILL FOR A MINIMUM OF 18" BEHIND RETAINING WALL  
 PROVIDE A MINIMUM 4" DIA. PERFORATED PIPE SURROUNDED IN PEA GRAVEL OR WASHED CLEAN GRAVEL (MINIMUM 9" COVER) AND SLOPED TO A STORM DRAIN SYSTEM OR OTHER APPROPRIATE OUTLET. PERIMETER DRAINS SHOULD BE PROVIDED WITH CLEANOUTS AS NECESSARY TO ALLOW PERIODIC INSPECTION AND MAINTENANCE OF DRAINS



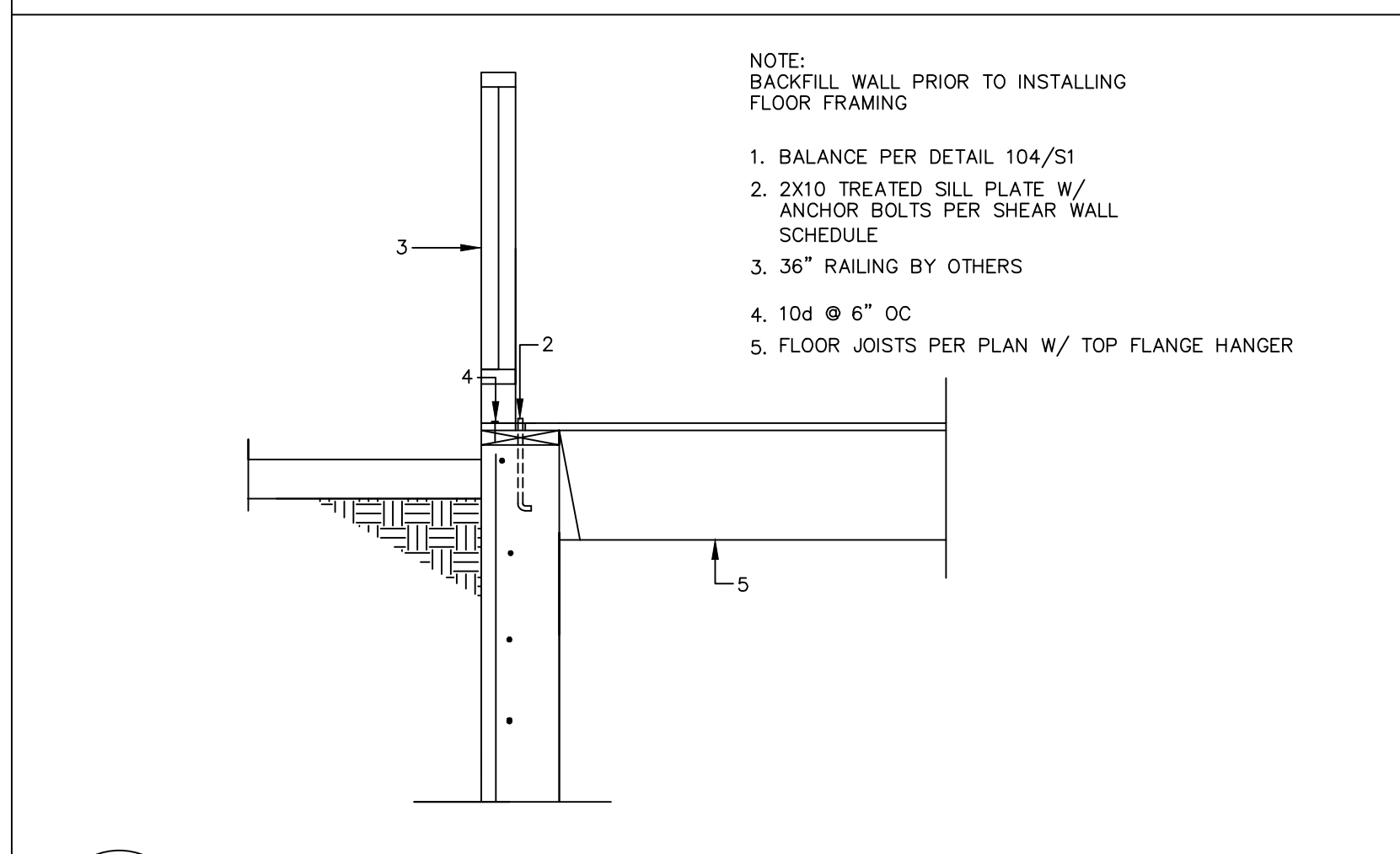
104 CANTILEVERED RETAINING WALL  
 3/4"=1'-0"



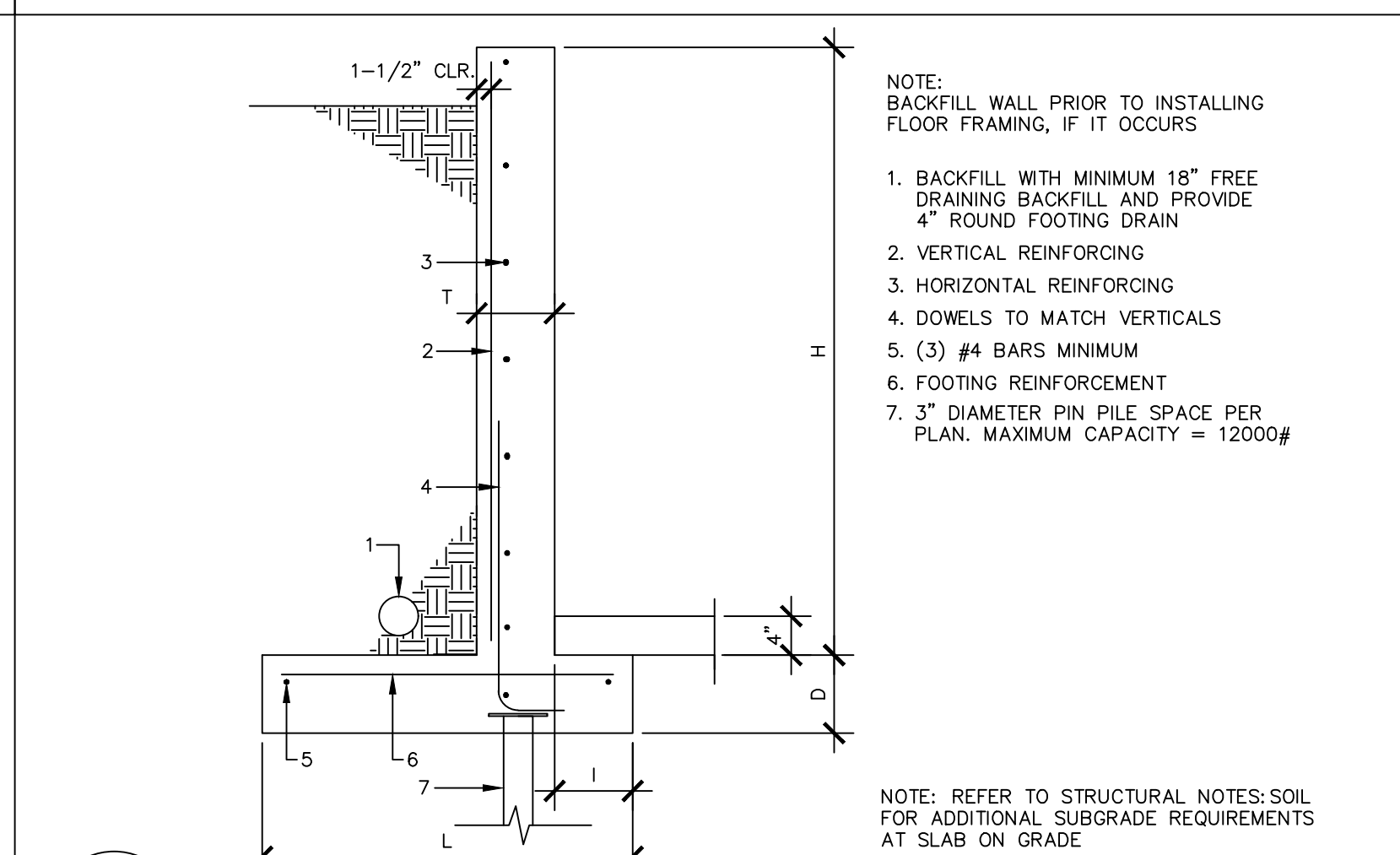
105 CANTILEVERED RETAINING WALL  
 3/4"=1'-0"



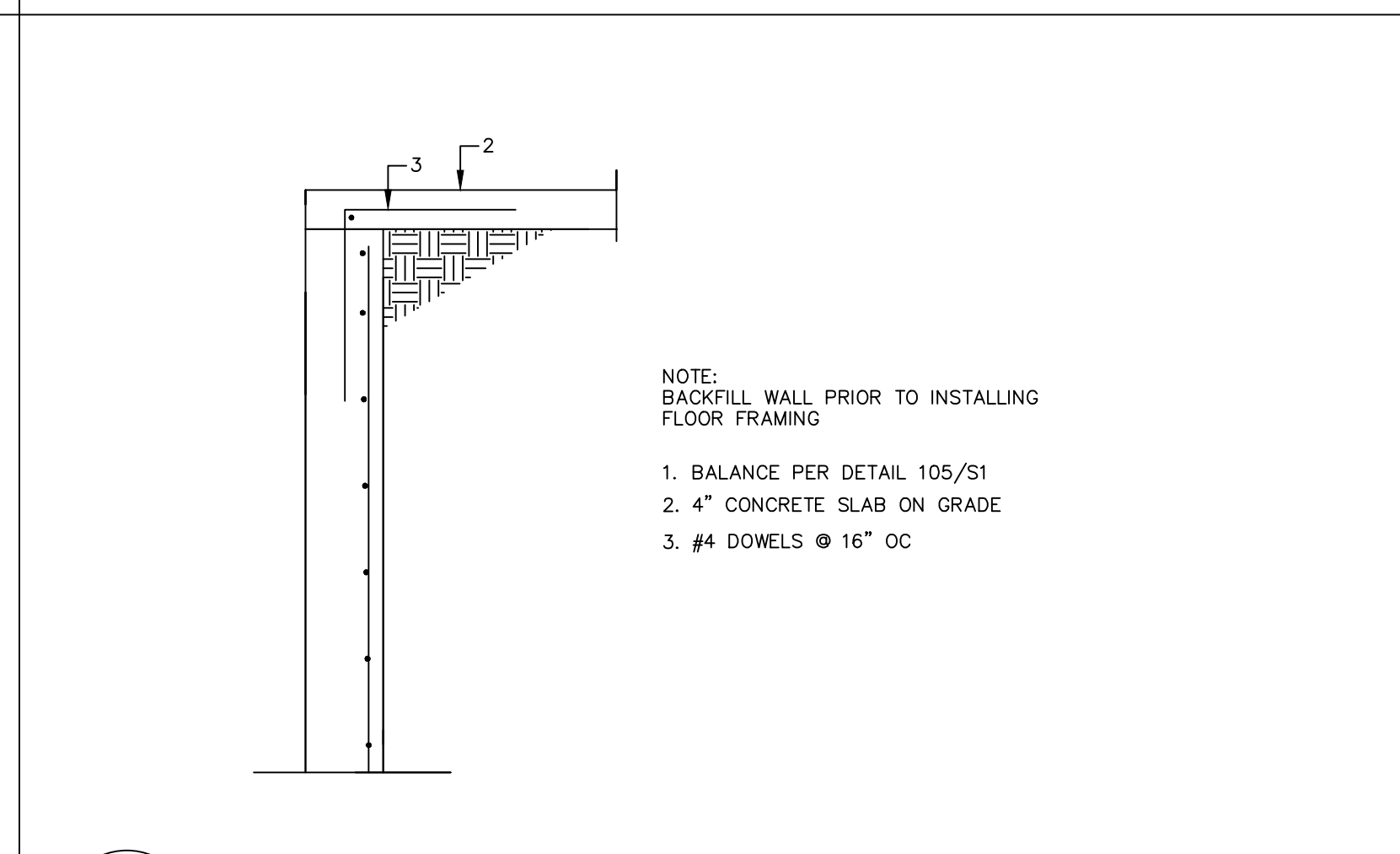
106 CANTILEVERED RETAINING WALL  
 3/4"=1'-0"



107 CANTILEVERED RETAINING WALL  
 3/4"=1'-0"



108 CANTILEVERED RETAINING WALL  
 3/4"=1'-0"



109 CANTILEVERED RETAINING WALL  
 3/4"=1'-0"

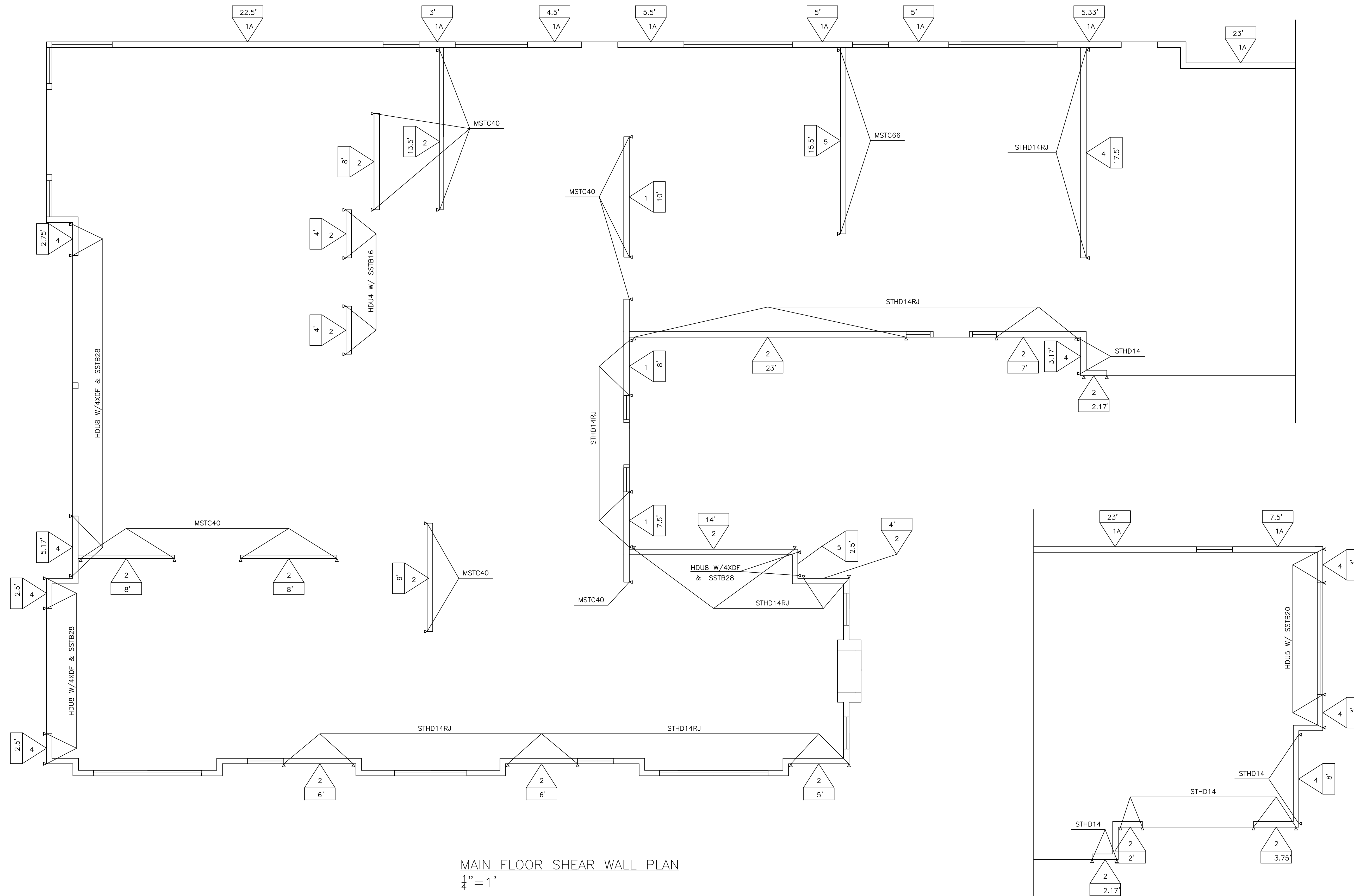
MDT ENGINEERING  
 31403 44th AVE S  
 AUBURN, WA, 98001  
 PHONE: (253) 709-9852  
 EMAIL: md.thompson@earthlink.net

REVISION DATES:  
 REV. 7-8-22  
 REV. 2-9-23

PROJECT: MAWER-HOUTCHENS	SHEET TITLE: STRUCTURAL DETAILS
SCALE: NO SCALE	DATE: 4-18-22
DRAWN BY: MDT	SHEET NO.
PROJECT NO. MAWER/HOUTCHENS	S3



MDT ENGINEERING  
 31403 44th AVE S  
 AUBURN, WA, 98001  
 PHONE: (253) 709-9852  
 EMAIL: md.thompson@earthlink.net



MAIN FLOOR SHEAR WALL PLAN  
 1/4" = 1'

REVISION DATES:

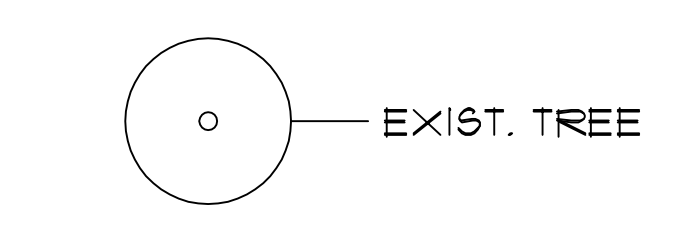
PROJECT: MAWER-HOUTCHENS  
 SCALE: NO SCALE  
 DRAWN BY: MDT  
 PROJECT NO. MAWER/HOUTCHENS

SHEET TITLE: SHEAR WALL PLAN  
 DATE: 4-18-22  
 SHEET NO.

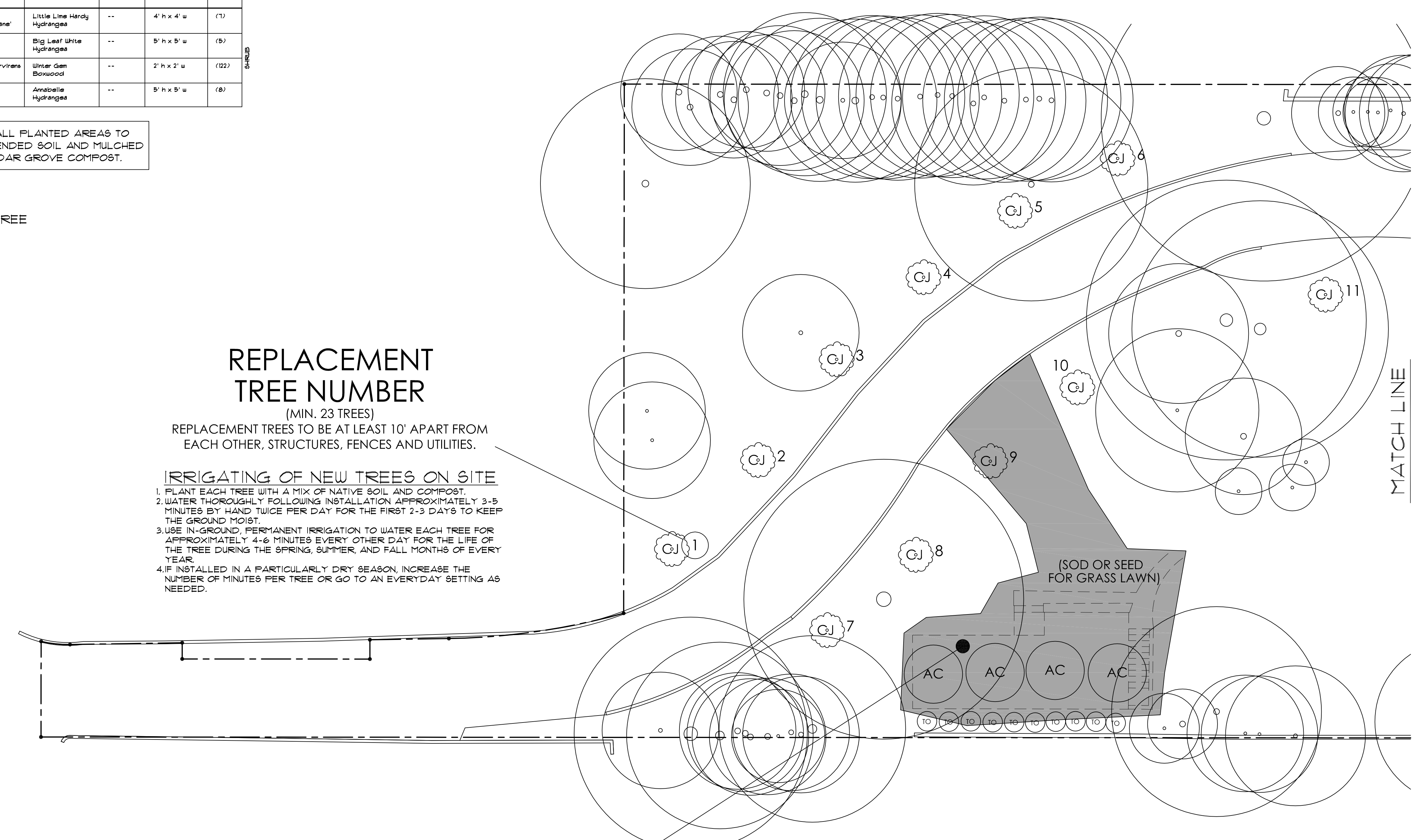
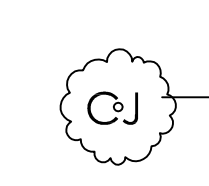


LATIN	COMMON	SPEC.	SIZE	QTY.	
			AT MATURITY		
Acer circinatum	Vine Maple	10' O.C.	5' h x 5' w	(9)	TREE
Thuja occidentalis 'Emerald Green'	Emerald Green Arborvitae	--	5' h x 3' w	(22)	TREE
Lagerstroemia indica x fauriei 'Natchez'	Crape Myrtle 'Natchez'	--	5' h x 5' w	(2)	TREE
Hydrangea paniculata 'Jane'	Little Lime Hardy Hydrangea	--	4' h x 4' w	(7)	SHRUB
Hydrangea macrophyllum	Big Leaf White Hydrangea	--	5' h x 5' w	(5)	SHRUB
Buxus sempervirens 'Winter Gem'	Winter Gem Boxwood	--	2' h x 2' w	(12)	SHRUB
Hydrangea 'Annabelle'	Annabelle Hydrangea	--	5' h x 5' w	(8)	SHRUB

NOTE: ALL PLANTED AREAS TO GET AMENDED SOIL AND MULCHED WITH CEDAR GROVE COMPOST.



LATIN	COMMON	SPEC.	SIZE	QTY.	
			AT MATURITY		
Katsura	Cercidiphyllum japonicum	20-25' O.C.	36' h x 25' w (1 1/2" dia. @ trunk base min.)	(23)	TREE



**REPLACEMENT TREE NUMBER**  
(MIN. 23 TREES)  
REPLACEMENT TREES TO BE AT LEAST 10' APART FROM EACH OTHER, STRUCTURES, FENCES AND UTILITIES.

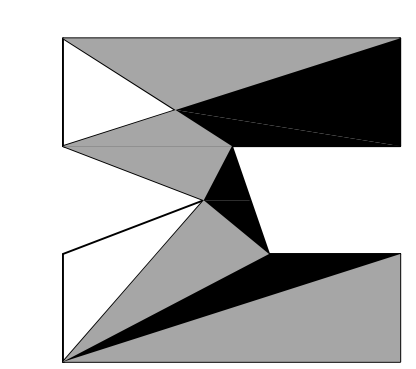
**IRRIGATING OF NEW TREES ON SITE**  
 1. PLANT EACH TREE WITH A MIX OF NATIVE SOIL AND COMPOST.  
 2. WATER THOROUGHLY FOLLOWING INSTALLATION APPROXIMATELY 3-5 MINUTES BY HAND TWICE PER DAY FOR THE FIRST 2-3 DAYS TO KEEP THE GROUND MOIST.  
 3. USE IN-GROUND, PERMANENT IRRIGATION TO WATER EACH TREE FOR APPROXIMATELY 4-6 MINUTES EVERY OTHER DAY FOR THE LIFE OF THE TREE DURING THE SPRING, SUMMER, AND FALL MONTHS OF EVERY YEAR.  
 4. IF INSTALLED IN A PARTICULARLY DRY SEASON, INCREASE THE NUMBER OF MINUTES PER TREE OR GO TO AN EVERYDAY SETTING AS NEEDED.

**LANDSCAPE RESTORATION AREA**  
(RESTORE LANDSCAPING AT AREA OF CARETAKER COTTAGE REMOVAL IN ACCORDANCE WITH NEW PLANTING PLAN)

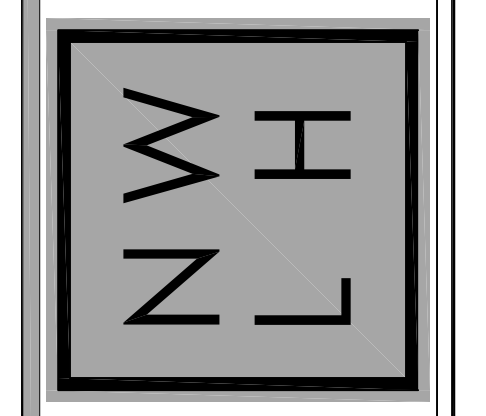


SHORLINE LANDSCAPE AND RESTORATION PLAN (1 OF 3)  
SCALE: 1" = 10'  
6024 SE 22nd ST  
MERCER ISLAND, WA 98040

matthew mawer  
residential design  
matt@mawer.net  
425.417.7817



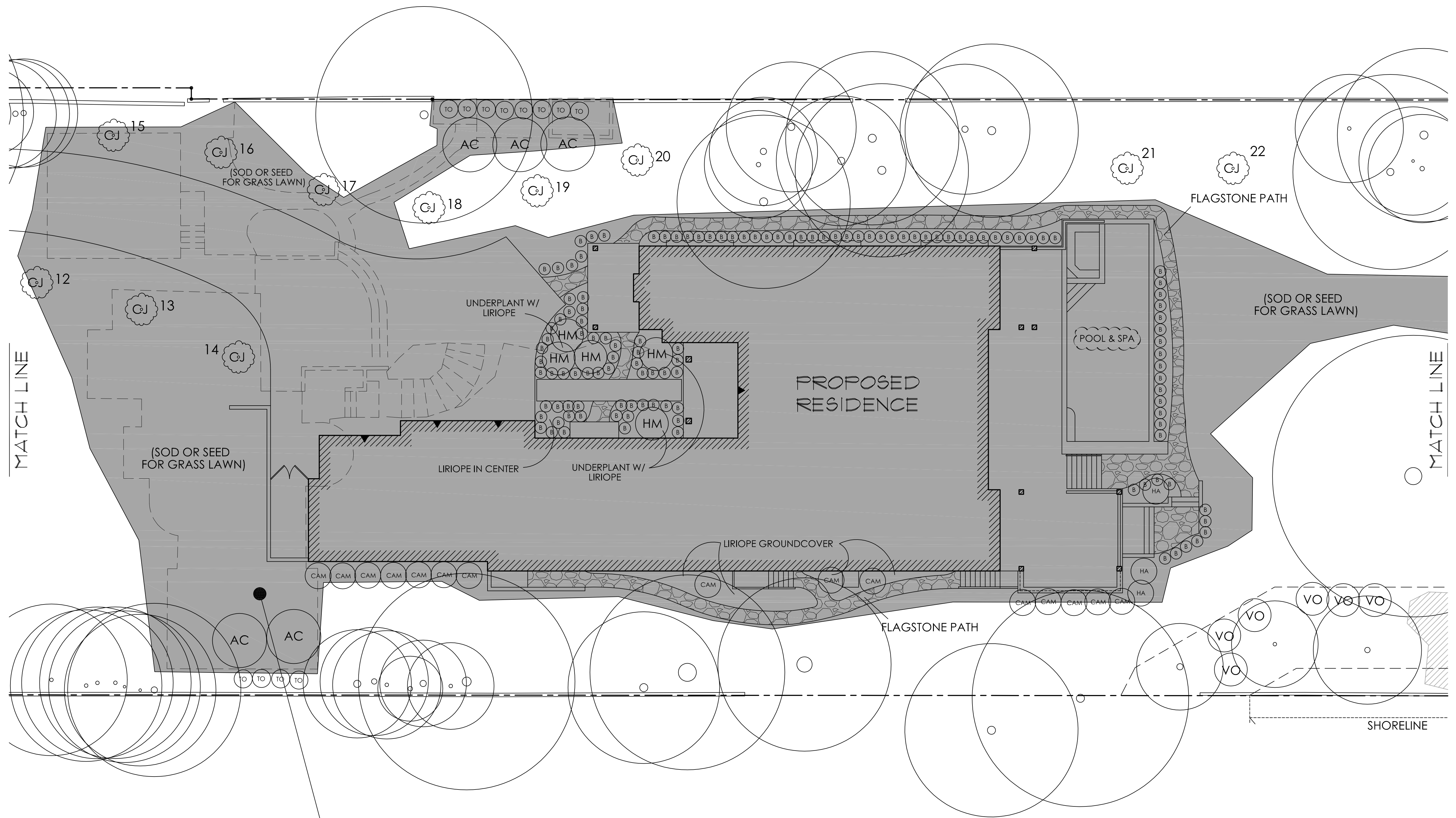
nw lifestyle homes  
www.nwlifestylehomes.com



HOUTCHENS RESIDENCE  
6024 SE 22nd ST  
MERCER ISLAND, WA 98040

JOB NO: 20-020  
DATE: 2/14/23  
DRWN. BY: MM, MG  
REVISED: 8/29/23

SHEET NO.  
**L1**

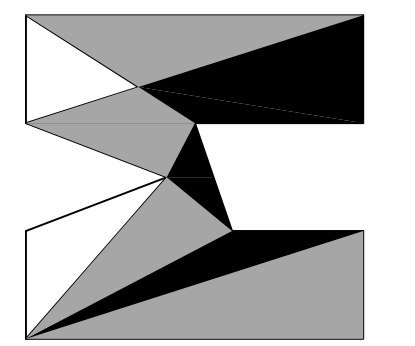


**LANDSCAPE RESTORATION AREA**

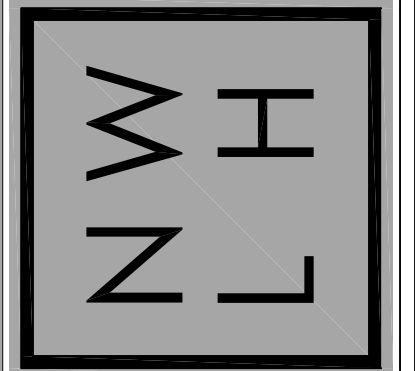
(RESTORE LANDSCAPING AT AREA OF MAIN HOUSE REMOVAL, AND AREA OF DISTURBANCE SURROUNDING NEW HOME CONSTRUCTION. RESTORE LAWN AREA AND IN ACCORDANCE WITH NEW PLANTING PLAN)



SHORLINE LANDSCAPE AND RESTORATION PLAN (2 OF 3)  
 SCALE: 1" = 10'  
 6024 SE 22nd ST  
 MERCER ISLAND, WA 98040



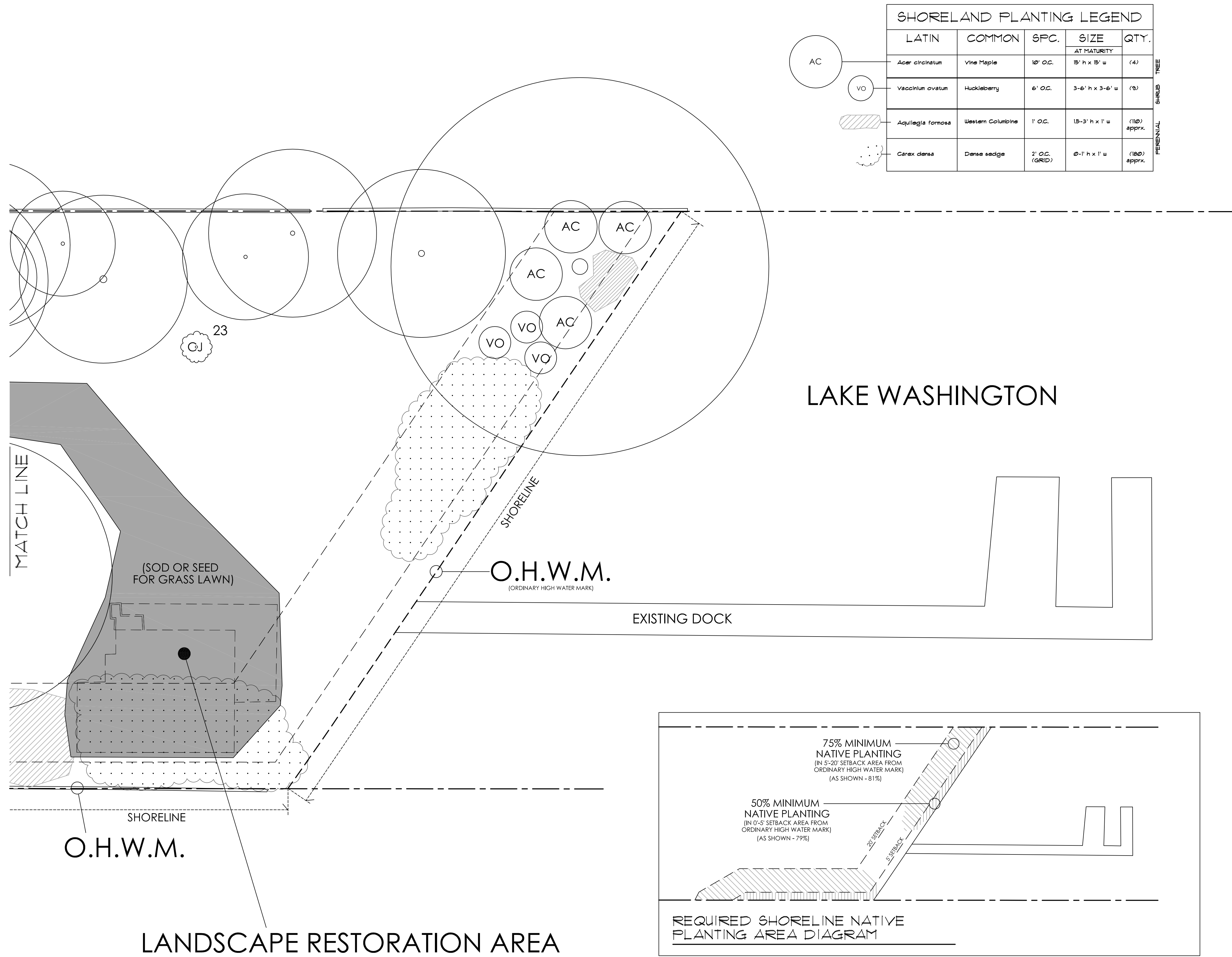
nw lifestyle homes  
 www.nwlifestylehomes.com



HOUTCHENS RESIDENCE  
 6024 SE 22nd ST  
 MERCER ISLAND, WA 98040

JOB NO: 20-020  
 DATE: 2/14/23  
 DRWN. BY: MM, MG  
 REVISED: 8/29/23

SHEET NO.  
**L2**

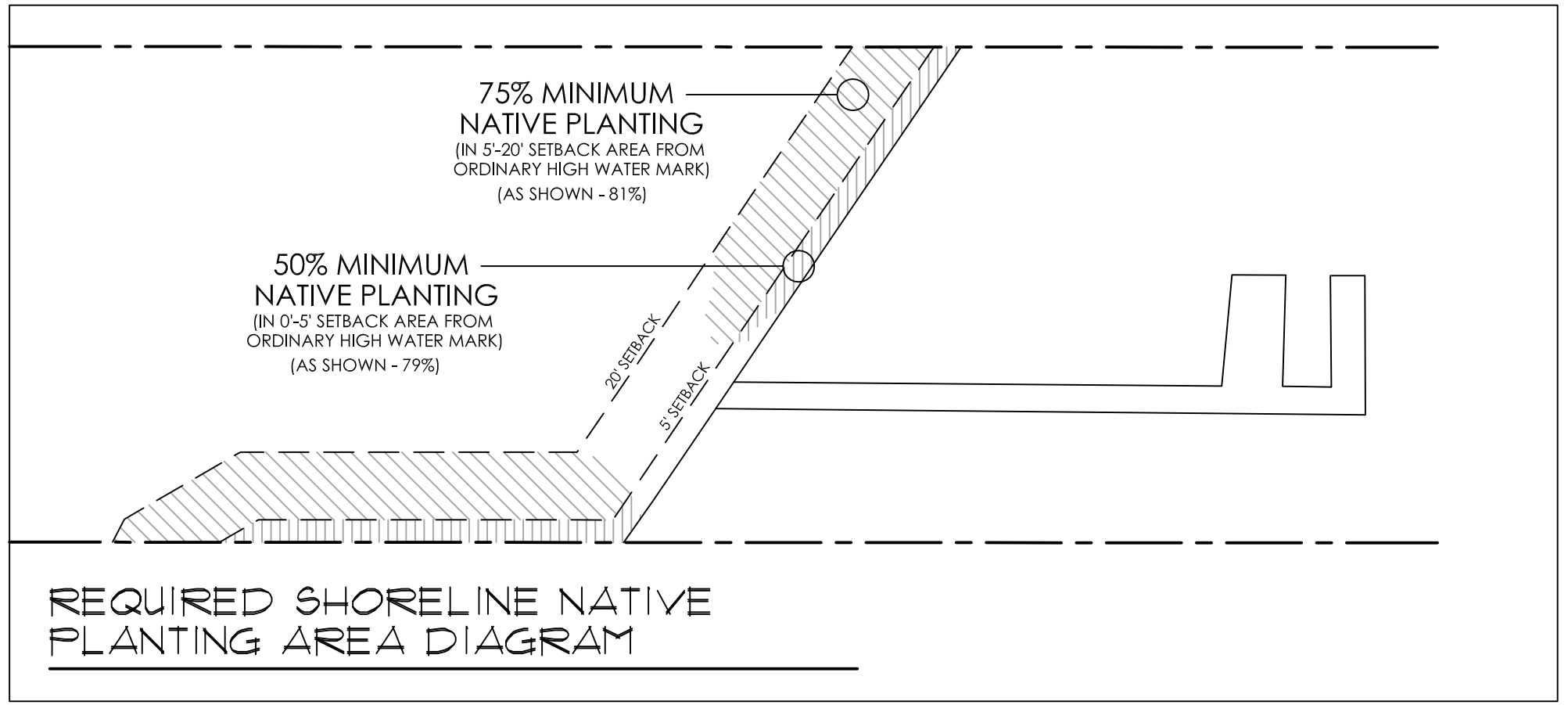


**SHORELAND PLANTING LEGEND**

LATIN	COMMON	SPC.	SIZE	QTY.	
			AT MATURITY		
Acer circinatum	Vine Maple	10' O.C.	15' h x 15' w	(4)	TREE
Vaccinium ovatum	Huckleberry	6' O.C.	3-6' h x 3-6' w	(9)	SHRUB
Aquilegia formosa	Western Columbine	1' O.C.	15-3' h x 1' w	(110) approx.	PERENNIAL
Carex densa	Dense sedge	2' O.C. (GRID)	0-1' h x 1' w	(180) approx.	PERENNIAL

**LANDSCAPE RESTORATION AREA**

(RESTORE LANDSCAPING AT AREA OF LAKESIDE CABANA REMOVAL. RESTORE EXISTING LAWN AREA AND IN ACCORDANCE WITH SHORELINE PLANTING PLAN)



**REQUIRED SHORELINE NATIVE PLANTING AREA DIAGRAM**



**SHORELINE LANDSCAPE AND RESTORATION PLAN (3 OF 3)**

SCALE: 1" = 10'  
6024 SE 22nd ST  
MERCER ISLAND, WA 98040

nw lifestyle homes  
www.nwlifestylehomes.com

N W L H

HOUTCHENS RESIDENCE  
6024 SE 22nd ST  
MERCER ISLAND, WA 98040

JOB NO: 20-020  
DATE: 2/14/23  
DRWN. BY: MM, MG  
REVISED: 3/31/23

SHEET NO.  
**L3**